

# STAR-42/51/61



Ref.explod 92106

01-01

23/04/2015

Product. 14943, 14944, 14945, 14946, 14947, 14948

Part-list	ES	EN	DE	FR		
1	11290	1	CJ.MANGO RAPID-STAR/R	-C-CJ.RED HANDLE	GRIFF RAPID-STAR/R	ENSEMBLE POIGNÉE RAPID-STAR/R
2	12292	1	PISADOR STAR	BREAKING FEET STAR	NIEDERHALTER STAR	BREAKING FEET STAR
3	12293	1	PASADOR DIN 1481 DIA.5X14	ELASTIC SPINDLE DIN 1481 5X14	STIFT DIN 1481 Ø5X14	PASADOR DIN 1481 DIA.5X14
4	12217	2	TAPON CORREDERA STAR-N PLUS	SLIDER COVER STAR-N PLUS	DECKEL SCHIEBER STAR-N PLUS	TAPON CORREDERA STAR-N PLUS
5	12309	1	TORN DIN 912 M5X25 ZN	SCREW DIN 912 M5X25 ZN	SCHRAUBE DIN 912 M5X25 ZINK	SCREW DIN 912 M5X25 ZN
6	12205	2	CORREDERA STAR-N PLUS	SLIDER STAR-N PLUS	SCHIEBER STAR-N PLUS	CORREDERA STAR-N PLUS
7	13155	2	EMBOLO FRENO SPEED	BRAKE STAR/SPEED	BREMSKOLBEN SPEED	BRAKE STAR/SPEED
8	12230	1	PORTAHERRAM.STAR	TOOLHOLDER	WERKZEUGHALTER STAR	PORTAHERRAM.STAR
9	12350	1	TAPA PORTAHERRAMIENTAS/R V2	TOOLHOLDER COVER/R V2	DECKEL WERKZEUGHALTER/R V2	TAPA PORTAHERRAMIENTAS/R V2
10	40045	1	TUERCA DIN 985 M5 ZN AUTOBLOC	NUT DIN 985 M5 ZN AUTOBLOC	SELBSTSCHLIEBENDE MUTTER DIN 985 M5 ZINK	TUERCA DIN 985 M5 ZN AUTOBLOC
11	13058	2	SOPORTE GUIAS STAR V2	GUIDE SUPPORT STAR V2	GUIDE SUPPORT STAR V2	GUIDE SUPPORT STAR V2
12	13059	2	GUIA DIA.15 L=726	GUIDE DIA.15 L=726	GUIDE DIA.15 L=726	GUIDE DIA.15 L=726
12	13075	2	GUIA DIA.15 L=550	GUIDE DIA.15 L=550	GUIDE DIA.15 L=550	GUIDE DIA.15 L=550
12	13076	2	GUIA DIA.15 L=635	GUIDE DIA.15 L=635	GUIDE DIA.15 L=635	GUIDE DIA.15 L=635
13	15136	2	TACO GOMA DIA 6X6	RUBBER STOPPER 6X6	GUMMISTOPFEN Ø6X6	TACO GOMA DIA 6X6
14	12261	2	TIRA GOMA STAR-40	RUBBER BAND STAR-40	GUMMIBAND STAR-40	TIRA GOMA STAR-40
14	12315	2	TIRA GOMA STAR-60	RUBBER BAND STAR-60	GUMMIBAND STAR-60	RUBBER BAND STAR-60
14	12262	2	TIRA GOMA STAR-50	RUBBER BAND STAR-50	GUMMIBAND STAR-50	TIRA GOMA STAR-50
15	12215	1	TAPA PULSADOR STAR	PUSH COVER STAR	DECKEL EINSCHALTKNOPF STAR	TAPA PULSADOR STAR
16	12201	1	BASE STAR-40-N	BASE STAR-40-N	GRUNDPLATTE STAR-40-N	BASE STAR-40-N
16	12222	1	BASE STAR-50-N	BASE STAR-50-N	GRUNDPLATTE STAR-50-N	BASE STAR-50-N
16	12383	1	BASE STAR-60-N	BASE STAR-60-N	GRUNDPLATTE STAR-60-N	BASE STAR-60-N
17	12629	4	TORN DIN 7982 ST4,8X19 RA-82 ZN	SCREW DIN 7982 ST4,8X19 RA-82 ZN	SCREW DIN 7982 ST4,8X19 RA-82 ZN	SCREW DIN 7982 ST4,8X19 RA-82 ZN
18	12353	2	ARAND A3X10X3,8 ARANLOCK	WASHER A3X10X3,8 ARANLOCK	UNTERLEGSCHIEBE A3X10X3,8 ARANLOCK	ARAND A3X10X3,8 ARANLOCK
19	12212	2	PIE DE APOYO STAR-N	LEG STAR-N	STÜTZFUß STAR-N	PIE DE APOYO STAR-N
20	1881	1	CJ.RODEL DIAM.6 MD MONTADO	SET SCORING WHEEL DIAM.6 MD MONTADO	SCHNEIDRÄDCHEN MD AUFGESATTELT	CJ.RODEL DIAM.6 MD MONTADO
21	12214	1	PULSADOR STAR-N PLUS	PUSH STAR-N PLUS	EINSCHALTKNOPF STAR-N PLUS	PULSADOR STAR-N PLUS
22	12216	1	MUELLE STAR-N PLUS	SPRING STAR-N PLUS	FEDER STAR-N PLUS	MUELLE STAR-N PLUS
23	12213	1	GUIA TOPE LATERAL STAR-N PLUS	LATERAL TOP GUIDE STAR-N PLUS	FÜHRUNGSSCHIENE SEIDENANSCHLAG STAR-N PL	GUIA TOPE LATERAL STAR-N PLUS

Queda reservado el derecho de introducir cualquier modificacion técnica sin previo aviso

We reserve the right to introduce any technical modification without previous notice

Wir behalten uns das Recht vor, jede notwendige technische Änderung ohne

vorherige Ankündigung an unseren Produkten vorzunehmen.

Il est réservé le droit à introduire une modification technique sans préavis.

# STAR-42/51/61



Ref.explod 92106 01-01 23/04/2015 Product. 14943, 14944, 14945, 14946, 14947, 14948

24	13154	1	SUPLEMENTO 45°	SUPPLEMENT 45 DEGREE	ZUSATZ 45°	SUPLEMENTO 45°
25	12923	1	SUPLEMENTO ESCUADRA STAR-N	ADJUSTABLE SQUARE STAR-N/PLUS&POCKET	ZUSATZ WINKEL STAR-N	SUP.ÉQUERRE STAR-N/STAR-N PLUS/POCKET
26	12819	1	CJ.PORTAHERRAMIENTAS STAR-N PLUS	TOOL HOLDER STAR-N PLUS	WERKZEUGHALTER SET STAR-N PLUS	CJ.PORTAHERRAMIENTAS STAR-N PLUS
27	15758	2	CIERRE 46X38 STAR	PLASTIC LATCH 46X38 FOR STAR	VERSCHLUSS 46X38 STAR	FERMETURE PLASTIQUE STAR6X38
28	12874	1	CJ.MALETA STAR-50-N	CASE SET STAR-50-N	KOFFERSATZ STAR-50-N	CJ.MALETA STAR-50-N
28	12876	1	CJ.MALETA STAR-60-N	CASE SET STAR-60-N	KOFFERSATZ STAR-60-N	CJ.MALETA STAR-60-N
28	12872	1	CJ.MALETA STAR-40-N	CASE SET STAR-40-N	KOFFERSATZ STAR-40-N	CJ.MALETA STAR-40-N

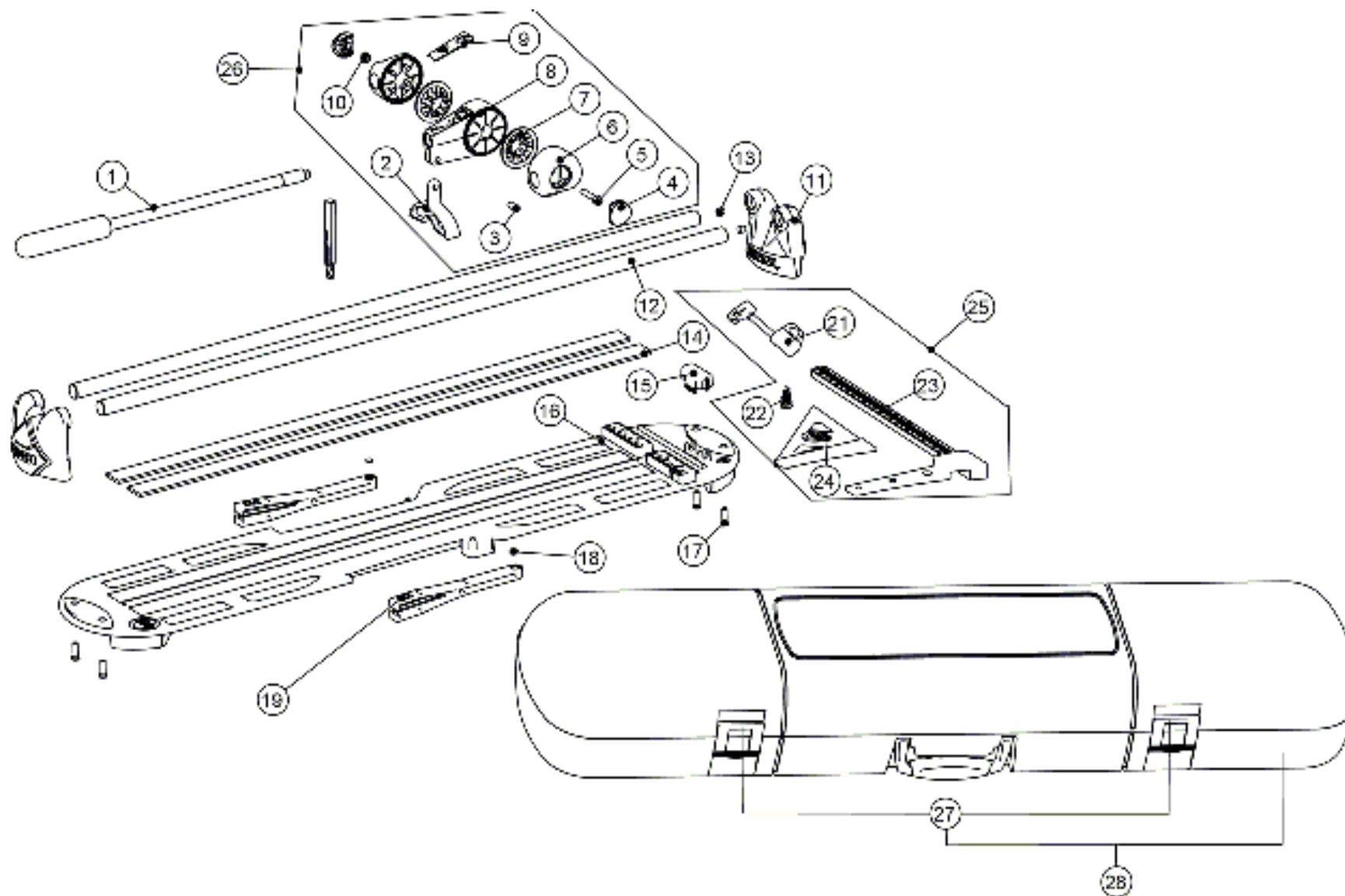
# STAR-42/51/61

Ref.explod 92106

01-01

23/04/2015

Product. 14943, 14944, 14945, 14946, 14947, 14948



Queda reservado el derecho de introducir cualquier modificación técnica sin previo aviso  
We reserve the right to introduce any technical modification without previous notice

Wir behalten uns das Recht vor, jede notwendige technische Änderung ohne vorherige Ankündigung an unseren Produkten vorzunehmen.  
Il est réservé le droit à introduire une modification technique sans préavis.