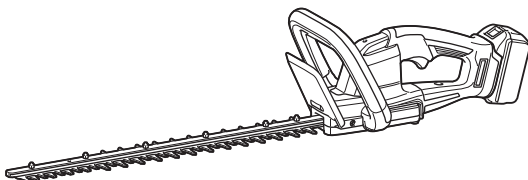
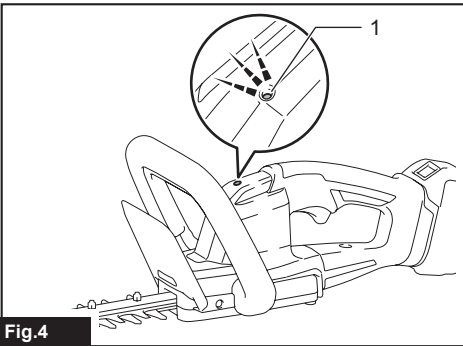
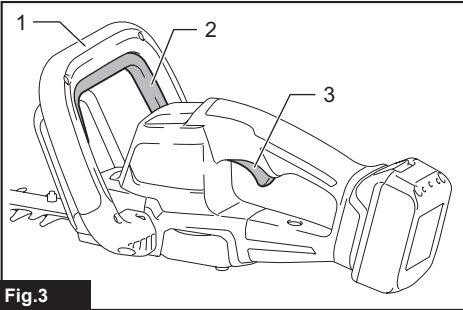
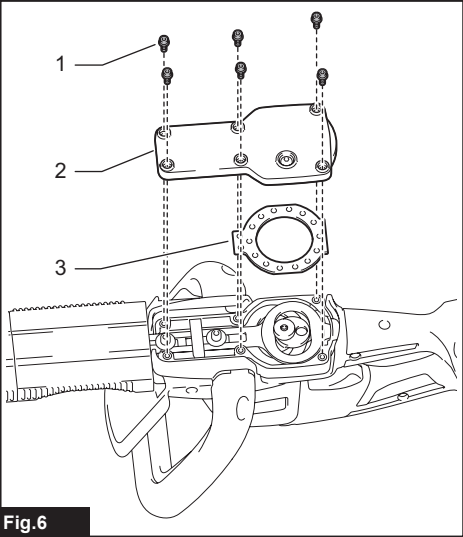
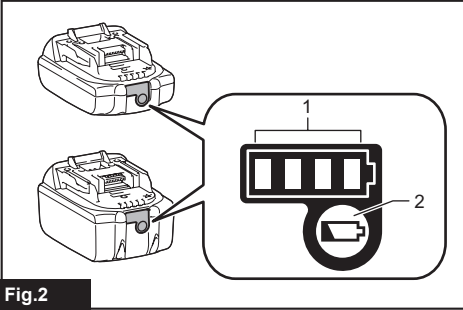
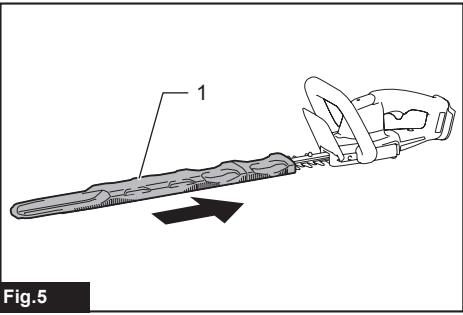
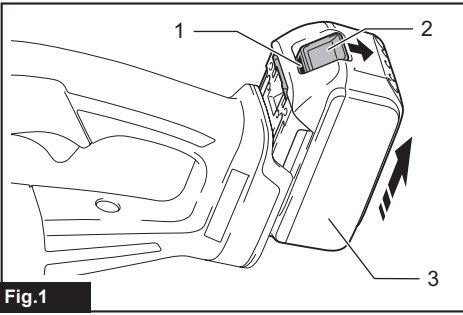


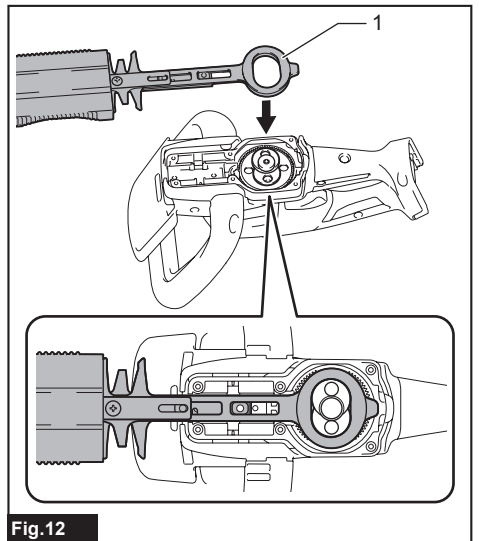
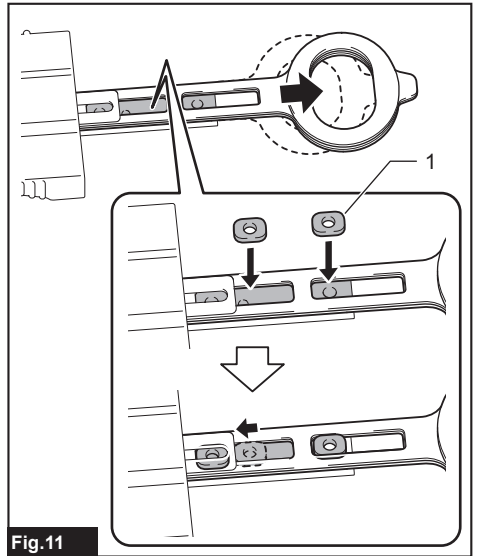
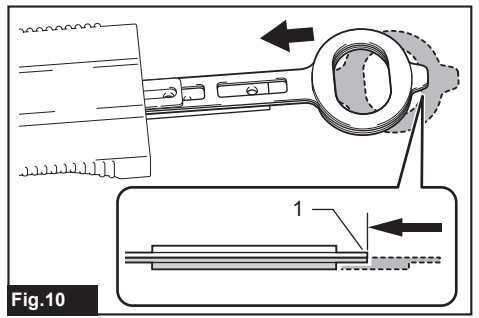
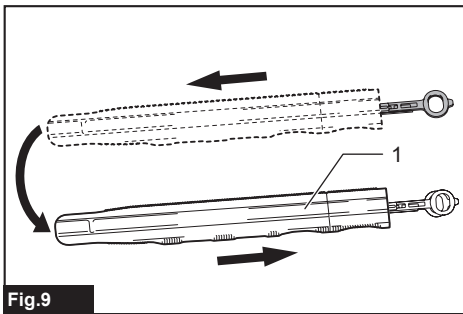
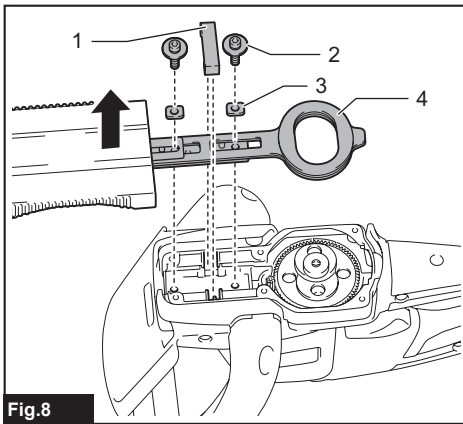
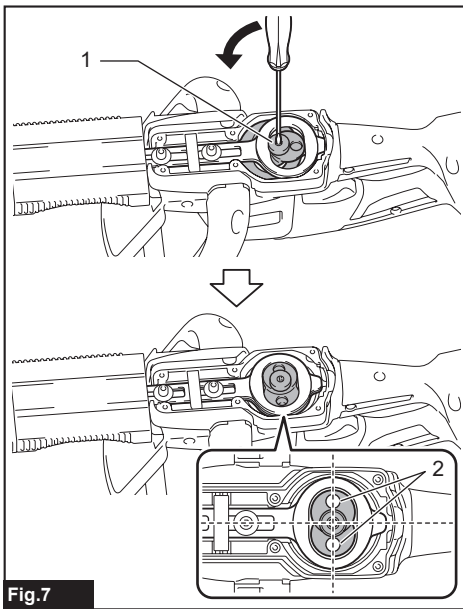


<b>EN</b>	<b>Cordless Hedge Trimmer</b>	<b>INSTRUCTION MANUAL</b>	<b>8</b>
<b>FR</b>	<b>Taille-haie sans fil</b>	<b>MANUEL D'INSTRUCTIONS</b>	<b>17</b>
<b>DE</b>	<b>Akku-Heckenschere</b>	<b>BETRIEBSANLEITUNG</b>	<b>27</b>
<b>IT</b>	<b>Tagliasiepi a batteria</b>	<b>ISTRUZIONI PER L'USO</b>	<b>38</b>
<b>NL</b>	<b>Accuheggenschaar</b>	<b>GEBRUIKSAANWIJZING</b>	<b>48</b>
<b>ES</b>	<b>Cortasetos Inalámbrico</b>	<b>MANUAL DE INSTRUCCIONES</b>	<b>58</b>
<b>PT</b>	<b>Aparador De Cerca Viva a Bateria</b>	<b>MANUAL DE INSTRUÇÕES</b>	<b>68</b>
<b>DA</b>	<b>Akku hækketrimmer</b>	<b>BRUGSANVISNING</b>	<b>78</b>
<b>EL</b>	<b>Φορητό ψαλίδι μπορντούρας</b>	<b>ΕΓΧΕΙΡΙΔΙΟ ΟΔΗΓΙΩΝ</b>	<b>88</b>
<b>TR</b>	<b>Akülü Çit Budama</b>	<b>KULLANMA KILAVUZU</b>	<b>99</b>

**DUH506**  
**DUH606**







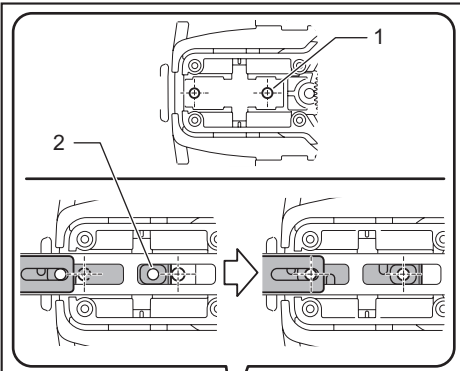


Fig. 13

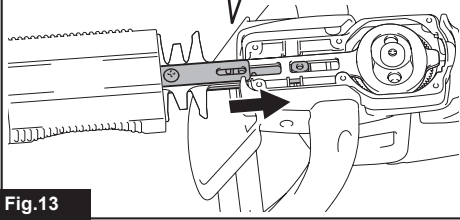


Fig. 14

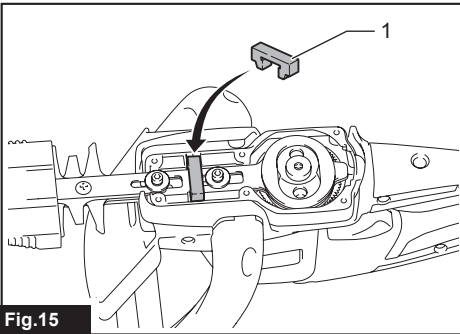


Fig. 15

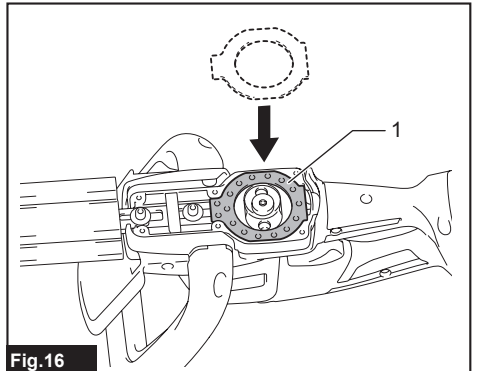


Fig. 16

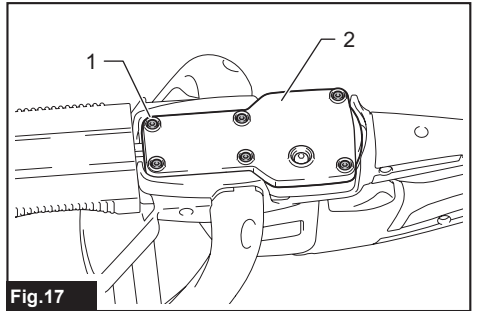


Fig. 17

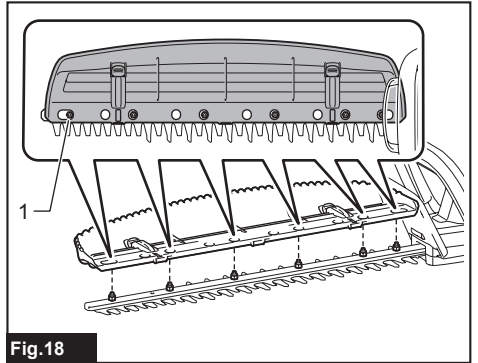


Fig. 18

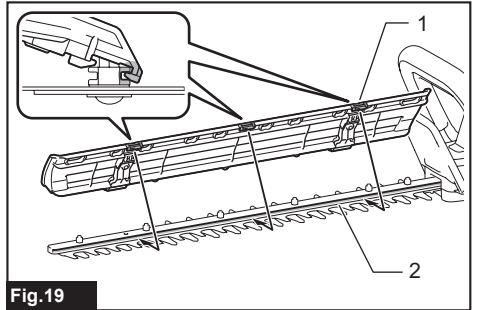


Fig. 19

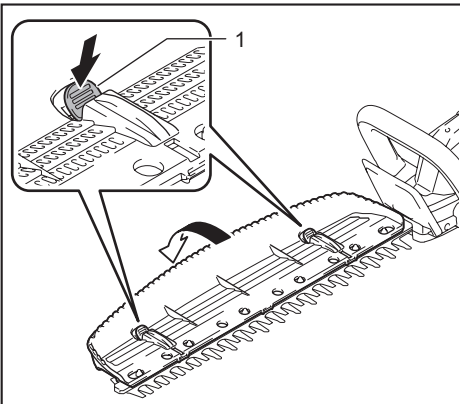


Fig. 20

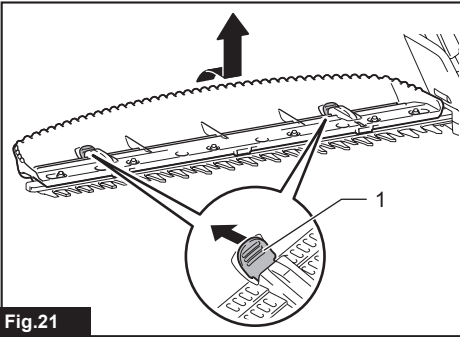


Fig. 21

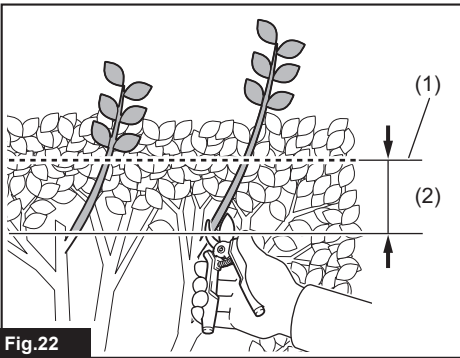


Fig. 22

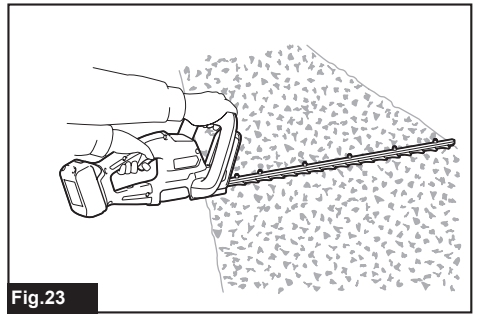


Fig. 23

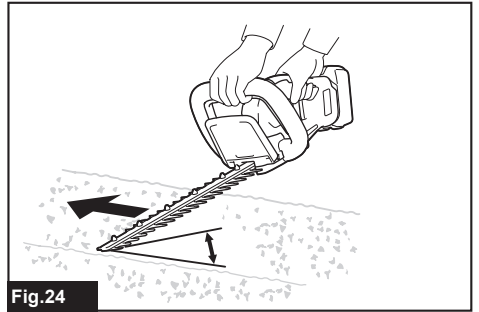


Fig. 24

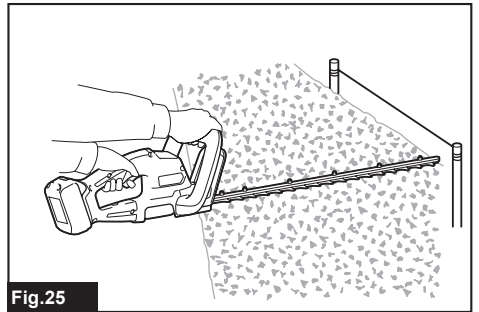


Fig. 25

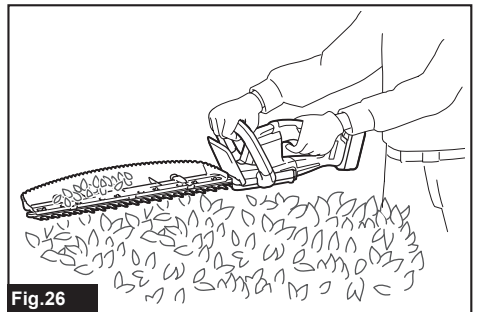
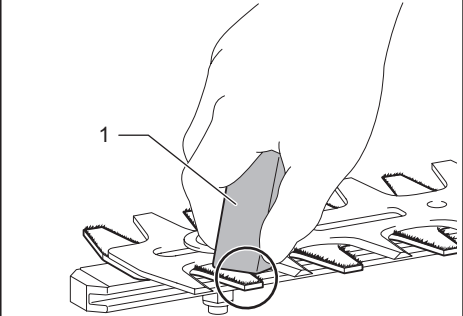
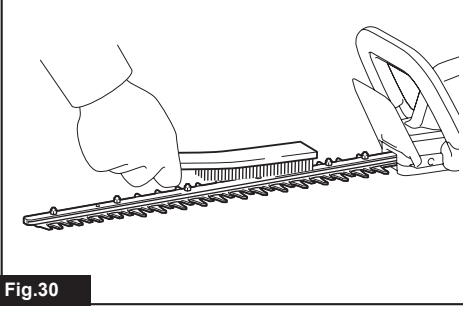
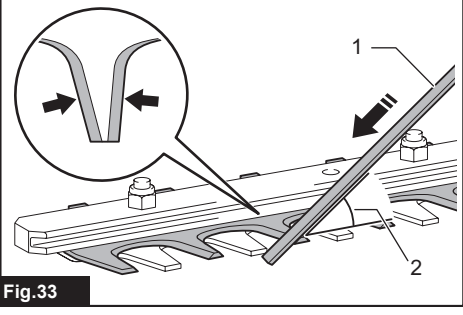
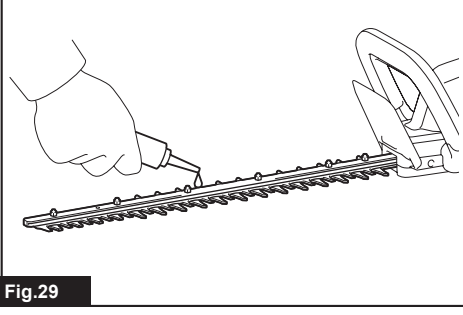
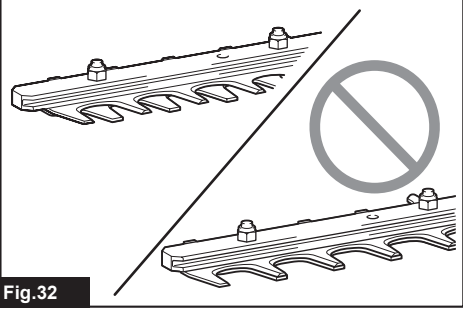
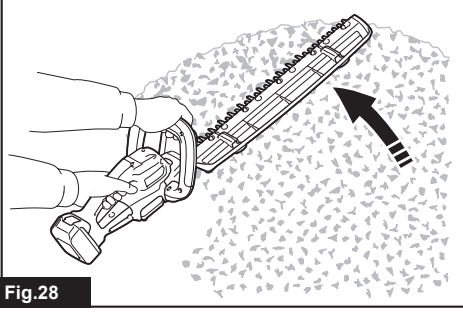
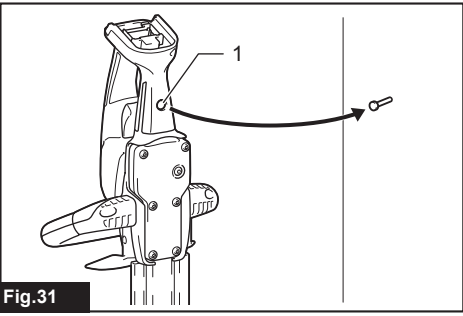
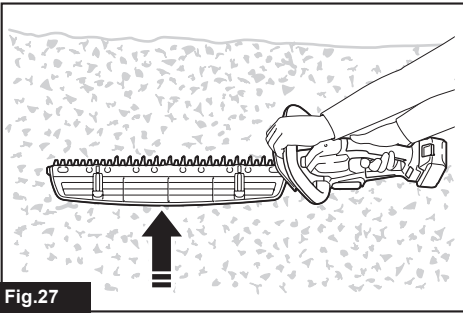
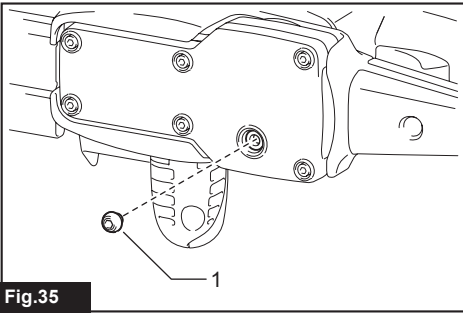
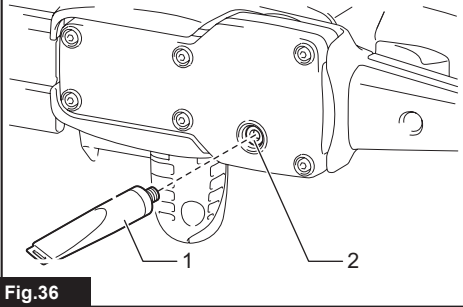


Fig. 26





**Fig.35**



**Fig.36**

# SPECIFICATIONS

Model:	DUH506	DUH606
Blade length	500 mm	600 mm
Strokes per minute	4,000 min <sup>-1</sup>	
Overall length (Without battery)	846 mm	965 mm
Rated voltage	D.C. 18 V	
Net weight	*1	2.2 kg
	*2	2.5 - 2.9 kg
		2.3 kg
		2.7 - 3.0 kg

- Due to our continuing program of research and development, the specifications herein are subject to change without notice.
- Specifications may differ from country to country.
- \*1: Weight without any accessories or battery cartridge(s)
- \*2: The weight may differ depending on the attachment(s), including the battery cartridge. The lightest and heaviest combinations, according to EPTA-Procedure 01/2014, are shown in the table.

## Applicable battery cartridge and charger

Battery cartridge	BL1815N / BL1820B / BL1830B / BL1840B / BL1850B / BL1860B
Charger	DC18RC / DC18RD / DC18RE / DC18SD / DC18SE / DC18SF / DC18SH / DC18WC

- Some of the battery cartridges and chargers listed above may not be available depending on your region of residence.

**⚠ WARNING:** Only use the battery cartridges and chargers listed above. Use of any other battery cartridges and chargers may cause injury and/or fire.







## Recommended cord connected power source




Portable power pack	PDC01
---------------------	-------

- The cord connected power source(s) listed above may not be available depending on your region of residence.
- Before using the cord connected power source, read instruction and cautionary markings on them.

## Symbols

The followings show the symbols which may be used for the equipment. Be sure that you understand their meaning before use.

	Read instruction manual.
	Wear eye protection.
	DANGER - Keep hands away from blade.
	Do not expose to moisture.
	Wear eye and ear protection.
	Do not expose to rain.

	<p>Ni-MH Li-ion</p> <p>Only for EU countries Due to the presence of hazardous components in the equipment, waste electrical and electronic equipment, accumulators and batteries may have a negative impact on the environment and human health. Do not dispose of electrical and electronic appliances or batteries with household waste! In accordance with the European Directive on waste electrical and electronic equipment and on accumulators and batteries and waste accumulators and batteries, as well as their adaptation to national law, waste electrical equipment, batteries and accumulators should be stored separately and delivered to a separate collection point for municipal waste, operating in accordance with the regulations on environmental protection. This is indicated by the symbol of the crossed-out wheeled bin placed on the equipment.</p>
	Guaranteed sound power level according to EU Outdoor Noise Directive.
	Sound power level according to Australia NSW Noise Control Regulation.



## Intended use

The tool is intended for trimming hedges.

## Noise

The typical A-weighted noise level determined according to EN62841-4-2:

Model	Sound pressure level		Guaranteed sound power level	Measured sound power level	
	L <sub>pA</sub> (dB(A))	Uncertainty K (dB(A))	L <sub>wa</sub> (dB(A))	L <sub>wa</sub> (dB(A))	Uncertainty K (dB(A))
DUH506	80	3	90	88	1.8
DUH606	82	3	92	90	1.9

**NOTE:** The declared noise emission value(s) has been measured in accordance with a standard test method and may be used for comparing one tool with another.

**NOTE:** The declared noise emission value(s) may also be used in a preliminary assessment of exposure.

**⚠ WARNING:** Wear ear protection.

**⚠ WARNING:** The noise emission during actual use of the power tool can differ from the declared value(s) depending on the ways in which the tool is used especially what kind of workpiece is processed.

**⚠ WARNING:** Be sure to identify safety measures to protect the operator that are based on an estimation of exposure in the actual conditions of use (taking account of all parts of the operating cycle such as the times when the tool is switched off and when it is running idle in addition to the trigger time).

## Vibration

The vibration total value (tri-axial vector sum) determined according to EN62841-4-2:

Model	Front handle		Rear handle	
	ah (m/s <sup>2</sup> )	Uncertainty K (m/s <sup>2</sup> )	ah (m/s <sup>2</sup> )	Uncertainty K (m/s <sup>2</sup> )
DUH506	2.5 m/s <sup>2</sup> or less	1.5	2.5 m/s <sup>2</sup> or less	1.5
DUH606	2.5 m/s <sup>2</sup> or less	1.5	2.5 m/s <sup>2</sup> or less	1.5

**NOTE:** The declared vibration total value(s) has been measured in accordance with a standard test method and may be used for comparing one tool with another.

**NOTE:** The declared vibration total value(s) may also be used in a preliminary assessment of exposure.

**⚠ WARNING:** The vibration emission during actual use of the power tool can differ from the declared value(s) depending on the ways in which the tool is used especially what kind of workpiece is processed.

**⚠ WARNING:** Be sure to identify safety measures to protect the operator that are based on an estimation of exposure in the actual conditions of use (taking account of all parts of the operating cycle such as the times when the tool is switched off and when it is running idle in addition to the trigger time).

## Declarations of Conformity

### For European countries only

The Declarations of conformity are included in Annex A to this instruction manual.

## SAFETY WARNINGS

### General power tool safety warnings

**⚠ WARNING** Read all safety warnings, instructions, illustrations and specifications provided with this power tool. Failure to follow all instructions listed below may result in electric shock, fire and/or serious injury.

### Save all warnings and instructions for future reference.

The term "power tool" in the warnings refers to your mains-operated (corded) power tool or battery-operated (cordless) power tool.

## Cordless hedge trimmer safety warnings

1. **Do not use the hedge trimmer in bad weather conditions, especially when there is a risk of lightning.** This decreases the risk of being struck by lightning.
2. **Keep all power cords and cables away from cutting area.** Power cords or cables may be hidden in hedges or bushes and can be accidentally cut by the blade.
3. **Wear ear protection.** Adequate protective equipment will reduce the risk of hearing loss.
4. **Hold the hedge trimmer by insulated gripping surfaces only, because the blade may contact hidden wiring.** Blades contacting a "live" wire may make exposed metal parts of the hedge trimmer "live" and could give the operator an electric shock.
5. **Keep all parts of the body away from the blade. Do not remove cut material or hold material to be cut when blades are moving.** Blades continue to move after the switch is turned off. A moment of inattention while operating the hedge trimmer may result in serious personal injury.
6. **When clearing jammed material or servicing the hedge trimmer, make sure all power switches are off and the battery pack is removed or disconnected.** Unexpected actuation of the hedge trimmer while clearing jammed material or servicing may result in serious personal injury.
7. **Carry the hedge trimmer by the handle with the blade stopped and taking care not to operate any power switch.** Proper carrying of the hedge trimmer will decrease the risk of inadvertent starting and resultant personal injury from the blades.
8. **When transporting or storing the hedge trimmer, always use the blade cover.** Proper handling of the hedge trimmer will decrease the risk of personal injury from the blades.

## Additional safety warnings

### Preparation

1. **Check the hedges and bushes for foreign objects, such as wire fences or hidden wiring before operating the tool.**
2. **The tool must not be used by children or young persons under 18 years of age.** Young persons over 16 years of age may be exempted from this restriction if they are undergoing training under the supervision of an expert.
3. **First-time users should have an experienced user show them how to use the tool.**
4. **Use the tool only if you are in good physical condition.** If you are tired, your attention will be reduced. Be especially careful at the end of a working day. Perform all work calmly and carefully. The user is responsible for all damages to third parties.
5. **Never use the tool when under the influence of alcohol, drugs or medication.**
6. **Work gloves of stout leather are part of the basic equipment of the tool and must always be worn when working with it. Also wear sturdy shoes with anti-skid soles.**

7. **Before starting work check to make sure that the tool is in good and safe working order. Ensure guards are fitted properly. The tool must not be used unless fully assembled.**
8. **When handing the hedge trimmer to other person, once put the hedge trimmer on the ground and pick up the hedge trimmer after you completely take your hand off.** Passing the hedge trimmer by hand causes holding both the front handle and the rear handle at the same time, and then the hedge trimmer starts unintentionally. Unintentional starting may causes serious injury.

### Operation

1. **Hold the tool firmly with both hands when using the tool.**
2. **The tool is intended to be used by the operator at ground level. Do not use the tool on ladders or any other unstable support.**
3. **DANGER - Keep hands away from blade.** Contact with blade will result in serious personal injury.
4. **Do not use the tool in the rain or in wet or very damp conditions.** The electric motor is not waterproof.
5. **Make sure you have a secure footing before starting operation.**
6. **Do not operate the tool at no-load unnecessarily.**
7. **Immediately switch off the tool and remove the battery cartridge if the shear blades should come into contact with a fence or other hard object. Check the blades for damage, and if damaged, replace the blades immediately.**
8. **Before checking the shear blades, taking care of faults, or removing material caught in the shear blades, always switch off the tool and remove the battery cartridge.**
9. **Never point the shear blades to yourself or others.**
10. **If the blades stop moving due to the stuck of foreign objects between the blades during operation, switch off the tool and remove the battery cartridge, and then remove the foreign objects using tools such as pliers.** Removing the foreign objects by hand may cause an injury for the reason that the blades may move in reaction to removing the foreign objects.

### Electrical and battery safety

1. **Avoid dangerous environment. Don't use the tool in damp or wet locations or expose it to rain.** Water entering the tool will increase the risk of electric shock.
2. **Do not dispose of the battery(ies) in a fire.** The cell may explode. Check with local codes for possible special disposal instructions.
3. **Do not open or mutilate the battery(ies).** Released electrolyte is corrosive and may cause damage to the eyes or skin. It may be toxic if swallowed.
4. **Do not charge battery in rain, or in wet locations.**
5. **Do not charge the battery outdoors.**

6. Do not handle charger, including charger plug, and charger terminals with wet hands.

#### Maintenance and storage

1. Switch off the tool and remove the battery cartridge before doing any maintenance work.
2. When moving the tool to another location, including during work, always remove the battery cartridge and put the blade cover on the shear blades. Never carry or transport the tool with the blades running. Never grasp the blades with your hands.
3. Clean the tool and especially the shear blades after use, and before putting the tool into storage for extended periods. Lightly oil the blades and put on the blade cover.
4. Store the tool with the blade cover on, in a dry room. Keep it out of reach of children. Never store the tool outdoors.
5. Do not dispose of the battery(ies) in a fire. The cell may explode. Check with local codes for possible special disposal instructions.
6. Do not open or mutilate the battery(ies). Released electrolyte is corrosive and may cause damage to the eyes or skin. It may be toxic if swallowed.

## SAVE THESE INSTRUCTIONS.

**⚠ WARNING:** DO NOT let comfort or familiarity with product (gained from repeated use) replace strict adherence to safety rules for the subject product. MISUSE or failure to follow the safety rules stated in this instruction manual may cause serious personal injury.

### Important safety instructions for battery cartridge

1. Before using battery cartridge, read all instructions and cautionary markings on (1) battery charger, (2) battery, and (3) product using battery.
2. Do not disassemble or tamper with the battery cartridge. It may result in a fire, excessive heat, or explosion.
3. If operating time has become excessively shorter, stop operating immediately. It may result in a risk of overheating, possible burns and even an explosion.
4. If electrolyte gets into your eyes, rinse them out with clear water and seek medical attention right away. It may result in loss of your eyesight.
5. Do not short the battery cartridge:
  - (1) Do not touch the terminals with any conductive material.
  - (2) Avoid storing battery cartridge in a container with other metal objects such as nails, coins, etc.
  - (3) Do not expose battery cartridge to water or rain.

A battery short can cause a large current flow, overheating, possible burns and even a breakdown.

6. Do not store and use the tool and battery cartridge in locations where the temperature may reach or exceed 50 °C (122 °F).

7. Do not incinerate the battery cartridge even if it is severely damaged or is completely worn out. The battery cartridge can explode in a fire.
8. Do not nail, cut, crush, throw, drop the battery cartridge, or hit against a hard object to the battery cartridge. Such conduct may result in a fire, excessive heat, or explosion.
9. Do not use a damaged battery.
10. The contained lithium-ion batteries are subject to the Dangerous Goods Legislation requirements.

For commercial transports e.g. by third parties, forwarding agents, special requirement on packaging and labeling must be observed.  
For preparation of the item being shipped, consulting an expert for hazardous material is required. Please also observe possibly more detailed national regulations.  
Tape or mask off open contacts and pack up the battery in such a manner that it cannot move around in the packaging.

11. When disposing the battery cartridge, remove it from the tool and dispose of it in a safe place. Follow your local regulations relating to disposal of battery.
12. Use the batteries only with the products specified by Makita. Installing the batteries to non-compliant products may result in a fire, excessive heat, explosion, or leak of electrolyte.
13. If the tool is not used for a long period of time, the battery must be removed from the tool.
14. During and after use, the battery cartridge may take on heat which can cause burns or low temperature burns. Pay attention to the handling of hot battery cartridges.
15. Do not touch the terminal of the tool immediately after use as it may get hot enough to cause burns.
16. Do not allow chips, dust, or soil stuck into the terminals, holes, and grooves of the battery cartridge. It may cause heating, catching fire, burst and malfunction of the tool or battery cartridge, resulting in burns or personal injury.
17. Unless the tool supports the use near high-voltage electrical power lines, do not use the battery cartridge near high-voltage electrical power lines. It may result in a malfunction or breakdown of the tool or battery cartridge.
18. Keep the battery away from children.

## SAVE THESE INSTRUCTIONS.

**⚠ CAUTION:** Only use genuine Makita batteries. Use of non-genuine Makita batteries, or batteries that have been altered, may result in the battery bursting causing fires, personal injury and damage. It will also void the Makita warranty for the Makita tool and charger.

## Tips for maintaining maximum battery life

1. Charge the battery cartridge before completely discharged. Always stop tool operation and charge the battery cartridge when you notice less tool power.
2. Never recharge a fully charged battery cartridge. Overcharging shortens the battery service life.
3. Charge the battery cartridge with room temperature at 10 °C - 40 °C (50 °F - 104 °F). Let a hot battery cartridge cool down before charging it.
4. When not using the battery cartridge, remove it from the tool or the charger.
5. Charge the battery cartridge if you do not use it for a long period (more than six months).

## FUNCTIONAL DESCRIPTION

**CAUTION:** Always be sure that the tool is switched off and the battery cartridge is removed before adjusting or checking function on the tool.

## Installing or removing battery cartridge

**CAUTION:** Always switch off the tool before installing or removing of the battery cartridge.

**CAUTION:** Hold the tool and the battery cartridge firmly when installing or removing battery cartridge. Failure to hold the tool and the battery cartridge firmly may cause them to slip off your hands and result in damage to the tool and battery cartridge and a personal injury.

► Fig.1: 1. Red indicator 2. Button 3. Battery cartridge

To remove the battery cartridge, slide it from the tool while sliding the button on the front of the cartridge.

To install the battery cartridge, align the tongue on the battery cartridge with the groove in the housing and slide it into place. Insert it all the way until it locks in place with a little click. If you can see the red indicator as shown in the figure, it is not locked completely.

**CAUTION:** Always install the battery cartridge fully until the red indicator cannot be seen. If not, it may accidentally fall out of the tool, causing injury to you or someone around you.

**CAUTION:** Do not install the battery cartridge forcibly. If the cartridge does not slide in easily, it is not being inserted correctly.

## Indicating the remaining battery capacity

*Only for battery cartridges with the indicator*

Press the check button on the battery cartridge to indicate the remaining battery capacity. The indicator lamps light up for a few seconds.

► Fig.2: 1. Indicator lamps 2. Check button

Indicator lamps			Remaining capacity
Lighted	Off	Blinking	
■ ■ ■ ■			75% to 100%
■ ■ ■ □			50% to 75%
■ ■ □ □			25% to 50%
■ □ □ □			0% to 25%
▣ □ □ □			Charge the battery.
■ ■ □ □			The battery may have malfunctioned.
□ □ ■ ■			

**NOTE:** Depending on the conditions of use and the ambient temperature, the indication may differ slightly from the actual capacity.

**NOTE:** The first (far left) indicator lamp will blink when the battery protection system works.

## Tool / battery protection system

**NOTICE:** Depending on the usage conditions, the tool automatically stops without any indication if the branches or debris are entangled in the tool. In this case, switch off the tool and remove the battery cartridge, and then remove entangled branches or debris using tools such as pliers. After removing the branches or debris, install the battery cartridge and turn on the tool again.

The tool is equipped with a tool/battery protection system. This system automatically cuts off power to the motor to extend tool and battery life. The tool will automatically stop during operation if the tool or battery is placed under one of the following conditions:

## Overload protection

When the tool or battery is operated in a manner that causes it to draw an abnormally high current, the tool automatically stops. In this situation, turn the tool off and stop the application that caused the tool to become overloaded. Then turn the tool on to restart.

## Overheat protection

When the tool or battery is overheated, the tool stops automatically. In this case, let the tool and battery cool before turning the tool on again.

## Overdischarge protection

When the battery capacity is not enough, the tool stops automatically. In this case, remove the battery from the tool and charge the battery.

## Protections against other causes

Protection system is also designed for other causes that could damage the tool and allows the tool to stop automatically. Take all the following steps to clear the causes, when the tool has been brought to a temporary halt or stop in operation.

1. Turn the tool off, and then turn it on again to restart.
2. Charge the battery(ies) or replace it/them with recharged battery(ies).
3. Let the machine and battery(ies) cool down.

If no improvement can be found by restoring protection system, then contact your local Makita Service Center.

**NOTICE:** If the tool stops due to a cause not described above, refer to the section for troubleshooting.

## Switch action

**⚠ WARNING:** For your safety, this tool is equipped with switch lever which prevents the tool from unintended starting. NEVER use the tool if it runs when you simply pull the switch trigger without pressing the switch lever. Return the tool to our authorized service center for proper repairs BEFORE further usage.

**⚠ WARNING:** NEVER tape down or defeat purpose and function of switch lever.

**⚠ WARNING:** Before installing the battery cartridge on the tool, always check to see that the switch trigger and switch lever actuate properly and return to the "OFF" position when released. Operating a tool with a switch that does not actuate properly can lead to loss of control and serious personal injury.

**⚠ CAUTION:** Never put your finger on the switch when carrying. The tool may start unintentionally and cause injury.

To start the tool, hold the front handle while pressing the switch lever and pull the switch trigger. To stop the tool, release either the switch trigger or the switch lever.

► Fig.3: 1. Front handle 2. Switch lever 3. Switch trigger

## Indication lamp

► Fig.4: 1. Indication lamp

The indication lamp blinks or lights up when the battery becomes low or the tool is overloaded. Refer to the following table for the status and action to be taken.

Indication lamp	Status	Action to be taken
The lamp blinks in red.	The remaining battery is low.	Recharge the battery, or replace the battery with a charged one.
The lamp lights up in red.	The remaining battery is empty.	Recharge the battery, or replace the battery with a charged one.
	The tool has stopped due to overload.	Turn off the tool, and remove the cause of overload.
	The tool has stopped due to overheat.	Turn off the tool, and cool down the tool and battery.

**NOTE:** The time at which the indication lamp blinks or lights up varies by the temperature around the work area and the battery cartridge conditions.

## Electronic function

The tool is equipped with the electronic functions for easy operation.

- Constant speed control  
The speed control function provides the constant rotation speed regardless of load conditions.
- Electric brake  
This tool is equipped with an electric brake. If the tool consistently fails to quickly stop the shear blades after releasing the switch trigger, have the tool serviced at Makita Authorized Service Center.
- Accidental re-start preventive function  
Even if you install the battery cartridge while pulling the switch trigger, the tool does not start. To start the tool, first release the switch trigger, and then pull the switch trigger.

## ASSEMBLY

**⚠ CAUTION:** Always be sure that the tool is switched off and the battery cartridge is removed before carrying out any work on the tool.

**⚠ CAUTION:** When replacing the shear blades, always wear gloves so that your hands do not directly contact the blades.

**NOTICE:** When replacing the shear blades, do not wipe off grease from the gear and crank.

## Installing or removing the shear blades

**CAUTION:** Attach the blade cover before removing or installing the shear blades.

You can install 500 mm or 600 mm shear blades to your tool.

1. Attach the blade cover to the shear blades.

► **Fig.5:** 1. Blade cover

2. Place the tool upside down, then remove 6 bolts, and then remove the cover and the plate.

► **Fig.6:** 1. Bolt 2. Cover 3. Plate

**NOTE:** The plate may remain on the cover.

3. Turn the crank with the slotted screwdriver so that 2 holes are perpendicular to the shear blades.

► **Fig.7:** 1. Crank 2. Hole

4. Remove 2 bolts, the felt pad and the sleeves, and then remove the shear blades.

► **Fig.8:** 1. Felt pad 2. Bolt 3. Sleeve 4. Shear blades

5. Remove the blade cover, and then attach it to the new shear blades.

► **Fig.9:** 1. Blade cover

6. Align the rear edges of the shear blades as shown in the figure.

► **Fig.10:** 1. Rear edge

7. Slide the shear blades slightly as shown in the figure, and then attach the sleeves to the shear blades.

► **Fig.11:** 1. Sleeve

8. Slide the blade cover slightly toward the tip of the shear blades, and then attach the shear blades to the tool.

► **Fig.12:** 1. Shear blades

**NOTICE:** Apply a small amount of grease to the inner periphery of the hole of the shear blades.

**NOTICE:** Be careful not to lose the sleeves.

9. Slide the shear blades and sleeves so that the holes on the sleeves are aligned with the holes on the tool.

► **Fig.13:** 1. Hole on tool 2. Hole on sleeve

10. Tighten the bolts to fix the shear blades.

► **Fig.14:** 1. Bolt

11. Attach the felt pad to the shear blades.

► **Fig.15:** 1. Felt pad

12. Attach the plate.

► **Fig.16:** 1. Plate

13. Attach the cover, and then tighten 6 bolts.

► **Fig.17:** 1. Bolt 2. Cover

**NOTICE:** If the shear blades do not move smoothly, the shear blades are not engaged with the crank properly. Install the shear blades again.

**NOTICE:** If the parts other than the shear blades such as the crank is worn out, ask Makita Authorized Service Centers for parts replacement or repairs.

## Installing or removing the chip receiver

### Optional accessory

**CAUTION:** When installing or removing the chip receiver, always wear gloves so that your hands do not directly contact the shear blades.

**NOTICE:** The blade cover cannot be installed if the chip receiver is installed on the tool. Before carrying or storing the tool, uninstall the chip receiver, and then install the blade cover to avoid blade exposure.

**NOTICE:** Be sure to remove the blade cover before installing the chip receiver.

The chip receiver gathers discarded leaves and makes clean-up afterward much easier. It can be installed on either side of the tool.

1. Align the holes on the chip receiver with the screws on the shear blades.

► **Fig.18:** 1. Screw

2. Hook the claws of the chip receiver to the groove on the shear blades.

► **Fig.19:** 1. Claw 2. Groove

3. Press the levers on the chip receiver, and then hook the claws on the other side to the groove on the shear blades.

► **Fig.20:** 1. Lever

To remove the chip receiver, press the levers to release the claws.

► **Fig.21:** 1. Lever

**NOTICE:** Never try to remove the chip receiver by an excessive force with its hooks locked to the shear blades.

## OPERATION

**WARNING:** Keep hands away from shear blades.

**CAUTION:** Avoid operating the tool in very hot weather as much as practicable. When operating the tool, be careful of your physical condition.

**CAUTION:** Be careful not to accidentally contact a metal fence or other hard objects while trimming. The shear blades may break and cause an injury.

**CAUTION:** Be careful not to allow the shear blades to contact the ground. The tool may recoil and cause an injury.

**CAUTION:** Overreaching with a hedge trimmer, particularly from a ladder, is extremely dangerous. Do not work while standing on anything wobbly or infirm.

**NOTICE:** Do not attempt to cut branches thicker than 10 mm in diameter with the tool. Cut branches to 10 cm lower than the cutting height using branch cutters before using the tool.

► **Fig.22:** (1) Cutting height (2) 10 cm



**NOTICE:** Do not cut down dead trees or similar hard objects. Doing so may damage the tool.

**NOTICE:** Do not trim the grass or weeds while using the shear blades. The shear blades may become tangled in the grass or weeds.

Hold the tool with both hands, hold the front handle while pressing the switch lever and pull the switch trigger, and then move the tool forward.

► Fig.23

For basic operation, tilt the shear blades toward the trimming direction and move it calmly and slowly at the speed rate of 3 to 4 seconds per meter.

► Fig.24

To cut a hedge top evenly, tie a string at the desired height and trim along it.

► Fig.25

If the chip receiver is attached to the shear blades, it gathers discarded leaves and makes clean-up afterward much easier.

► Fig.26

To cut a hedge side evenly, cut from the bottom to top.

► Fig.27

When trimming to make a round shape (trimming box-wood or rhododendron, etc.), trim from the root to the top for a beautiful finish.

► Fig.28

## MAINTENANCE

**CAUTION:** Always be sure that the tool is switched off and the battery cartridge is removed before attempting to perform inspection or maintenance.

To maintain product SAFETY and RELIABILITY, repairs, any other maintenance or adjustment should be performed by Makita Authorized or Factory Service Centers, always using Makita replacement parts.

### Cleaning the tool

Clean the tool by wiping off dust with a dry cloth or one dipped in soapy water and wrung out.

**NOTICE:** Never use gasoline, benzine, thinner, alcohol or the like. Discoloration, deformation or cracks may result.

### Shear blade maintenance

Before the operation or once per hour during operation, apply low-viscosity oil (machine oil, or spray-type lubricating oil) to the shear blades.

► Fig.29

After operation, remove dust from both sides of the shear blades with a wired brush, wipe it off with a cloth and then apply low-viscosity oil (machine oil, or spray-type lubricating oil) to the shear blades.

► Fig.30

**NOTICE:** Do not wash the shear blades in water. Doing so may cause rust or damage to the tool.

**NOTICE:** Dirt and corrosion cause excessive blade friction and shorten the operating time per battery charge.

### Storage

The hook hole in the tool bottom is convenient for hanging the tool from a nail or screw on the wall.

Attach the blade cover to the shear blades so that the blades are not exposed. Store the tool out of the reach of children. Store the tool in a place not exposed to moisture or rain.

► Fig.31: 1. Hole

### Grinding the shear blades

**NOTICE:** If the shear blades have considerably deformed by grinding, replace the shear blades with new ones.

1. Install the battery cartridge to the tool.  
2. Turn on and start the tool so that the upper blade and lower blade are positioned alternately.

► Fig.32

3. Turn off the tool and remove the battery cartridge from the tool.

4. Set the angle of a file to 35°, and grind the upper blade from 2 directions with the file.

► Fig.33: (1) File (2) 35°

**CAUTION:** Before grinding the shear blades, make sure that the tool is switched off and the battery cartridge is removed from the tool.

5. Place the tool upside down, and then remove the burrs from the shear blades with the dressing stone.

► Fig.34: 1. Dressing stone

6. Set the angle of the file to 35°, and grind the lower blade from 2 directions with the file.

7. Return the tool to normal position, and then remove the burrs from the shear blades with the dressing stone.

### Grease lubrication

**Interval of lubrication:** Every 50 operating hours

1. Remove the bolt from the hole for lubrication.

► Fig.35: 1. Bolt

2. Remove the cap from the grease vessel. Align the outlet of the grease vessel with the hole on the cover, and then turn the grease vessel to attach the outlet of the grease vessel into the hole.

► Fig.36: 1. Grease vessel 2. Hole

3. Apply the grease to the tool (Approximately 3 g as a guide).

4. Remove the grease vessel.

5. Tighten the bolt.

# TROUBLESHOOTING

Before asking for repairs, conduct your own inspection first. If you find a problem that is not explained in the manual, do not attempt to dismantle the tool. Instead, ask Makita Authorized Service Centers, always using Makita replacement parts for repairs.

State of abnormality	Probable cause (malfunction)	Remedy
Motor does not run.	Battery cartridge is not installed.	Install the battery cartridge.
	Battery problem (under voltage)	Recharge the battery. If recharging is not effective, replace battery.
	The drive system does not work correctly.	Ask your local authorized service center for repair.
Motor stops running after a little use.	Battery's charge level is low.	Recharge the battery. If recharging is not effective, replace battery.
	Overheating.	Stop using of tool to allow it to cool down.
Tool does not reach maximum RPM.	Battery is installed improperly.	Install the battery cartridge as described in this manual.
	Battery power is dropping.	Recharge the battery. If recharging is not effective, replace battery.
	The drive system does not work correctly.	Ask your local authorized service center for repair.
Shear blades do not move: ⇒ stop the machine immediately!	Foreign objects are caught between the shear blades.	Switch off the tool and remove the battery cartridge, and then remove the foreign objects using tools such as pliers.
	The drive system does not work correctly.	Ask your local authorized service center for repair.
Abnormal vibration: ⇒ stop the machine immediately!	Shear blades are broken, bent or worn.	Replace the shear blades.
	The drive system does not work correctly.	Ask your local authorized service center for repair.
Shear blades and motor cannot stop: ⇒ Remove the battery immediately!	Electric malfunction.	Remove the battery and ask your local authorized service center for repair.

## OPTIONAL ACCESSORIES

**⚠ CAUTION:** These accessories or attachments are recommended for use with your Makita tool specified in this manual. The use of any other accessories or attachments might present a risk of injury to persons. Only use accessory or attachment for its stated purpose.

If you need any assistance for more details regarding these accessories, ask your local Makita Service Center.

- Shear blade assembly
- Shear blade cover
- Chip receiver
- Grease vessel
- Makita genuine battery and charger

**NOTE:** Some items in the list may be included in the tool package as standard accessories. They may differ from country to country.



## SPÉCIFICATIONS

Modèle :		DUH506	DUH606
Longueur de la lame		500 mm	600 mm
Nombre de courses par minute		4 000 min <sup>-1</sup>	
Longueur totale (Sans la batterie)		846 mm	965 mm
Tension nominale		18 V CC	
Poids net	*1	2,2 kg	2,3 kg
	*2	2,5 - 2,9 kg	2,7 - 3,0 kg

- Étant donné l'évolution constante de notre programme de recherche et de développement, les spécifications contenues dans ce manuel sont sujettes à modification sans préavis.
- Les spécifications peuvent varier suivant les pays.

\*1 : Poids sans accessoires ou batterie(s)

\*2 : Le poids peut être différent selon les pièces complémentaires, notamment la batterie. Les associations les plus légères et les plus lourdes, conformément à la procédure EPTA 01/2014, sont indiquées dans le tableau.

### Batterie et chargeur applicables

Batterie	BL1815N / BL1820B / BL1830B / BL1840B / BL1850B / BL1860B
Chargeur	DC18RC / DC18RD / DC18RE / DC18SD / DC18SE / DC18SF / DC18SH / DC18WC

- Certains chargeurs et batteries répertoriés ci-dessus peuvent ne pas être disponibles selon la région où vous résidez.

**⚠ AVERTISSEMENT : N'utilisez que les batteries et les chargeurs répertoriés ci-dessus.** L'utilisation d'autres batteries et chargeurs peut provoquer des blessures et/ou un incendie.







### Source d'alimentation connectée par cordon recommandée

Support d'alimentation portable	PDC01
---------------------------------	-------

- La ou les sources d'alimentation connectées par cordon répertoriées ci-dessus peuvent ne pas être disponibles selon la région où vous résidez.
- Avant d'utiliser la source d'alimentation connectée par cordon, lisez les instructions et les avertissements inscrits dessus.

### Symboles

Vous trouverez ci-dessous les symboles susceptibles d'être utilisés pour l'appareil. Veuillez à comprendre leur signification avant toute utilisation.

	Lire le mode d'emploi.
	Porter une protection oculaire.
	DANGER - Gardez vos mains à l'écart de la lame.
	Ne pas exposer à l'eau.
	Porter des lunettes de protection et un serre-tête antibruit.
	Ne pas exposer la machine à la pluie.



Pour les pays de l'Union européenne uniquement

En raison de la présence de composants dangereux dans l'équipement, les déchets d'équipements électriques et électroniques, les accumulateurs et les batteries peuvent avoir un impact négatif sur l'environnement et la santé humaine.

Ne jetez pas les appareils électriques et électroniques ou les batteries avec les ordures ménagères !

Conformément à la directive européenne relative aux déchets d'équipements électriques et électroniques et aux déchets d'accumulateurs et de batteries, ainsi qu'à son adaptation à la législation nationale, les déchets d'équipements électriques, les batteries et les accumulateurs doivent être collectés séparément et déposés dans un point de collecte distinct pour déchets urbains, conformément aux réglementations en matière de protection de l'environnement.

Cela est indiqué par le symbole de la poubelle à roulettes barrée sur l'équipement.



Niveau de puissance sonore garanti selon la directive européenne sur le bruit dans l'environnement.



Niveau de puissance sonore selon la réglementation australienne NSW sur le contrôle du bruit

## Utilisations

L'outil est conçu pour tailler les haies.

## Bruit

Niveau de bruit pondéré A typique, déterminé selon EN62841-4-2 :

Modèle	Niveau de pression acoustique		Niveau de puissance sonore garanti	Niveau de puissance sonore mesuré	
	L <sub>PA</sub> (dB(A))	Incertitude K (dB(A))	L <sub>WA</sub> (dB(A))	L <sub>WA</sub> (dB(A))	Incertitude K (dB(A))
DUH506	80	3	90	88	1,8
DUH606	82	3	92	90	1,9

**NOTE** : La ou les valeurs d'émission de bruit déclarées ont été mesurées conformément à la méthode de test standard et peuvent être utilisées pour comparer les outils entre eux.

**NOTE** : La ou les valeurs d'émission de bruit déclarées peuvent aussi être utilisées pour l'évaluation préliminaire de l'exposition.

**⚠ AVERTISSEMENT** : Portez un serre-tête antibruit.

**⚠ AVERTISSEMENT** : L'émission de bruit lors de l'usage réel de l'outil électrique peut être différente de la ou des valeurs déclarées, suivant la façon dont l'outil est utilisé, particulièrement selon le type de pièce usinée.

**⚠ AVERTISSEMENT** : Les mesures de sécurité à prendre pour protéger l'utilisateur doivent être basées sur une estimation de l'exposition dans des conditions réelles d'utilisation (en tenant compte de toutes les composantes du cycle d'utilisation, comme par exemple le moment de sa mise hors tension, lorsqu'il tourne à vide et le moment de son déclenchement).

## Vibrations

Valeur totale de vibrations (somme de vecteur triaxial) déterminée selon EN62841-4-2 :

Modèle	Poignée avant		Poignée arrière	
	ah (m/s <sup>2</sup> )	Incertitude K (m/s <sup>2</sup> )	ah (m/s <sup>2</sup> )	Incertitude K (m/s <sup>2</sup> )
DUH506	2,5 m/s <sup>2</sup> ou moins	1,5	2,5 m/s <sup>2</sup> ou moins	1,5
DUH606	2,5 m/s <sup>2</sup> ou moins	1,5	2,5 m/s <sup>2</sup> ou moins	1,5

**NOTE** : La ou les valeurs de vibration totales déclarées ont été mesurées conformément à la méthode de test standard et peuvent être utilisées pour comparer les outils entre eux.

**NOTE** : La ou les valeurs de vibration totales déclarées peuvent aussi être utilisées pour l'évaluation préliminaire de l'exposition.

**⚠ AVERTISSEMENT** : L'émission de vibrations lors de l'usage réel de l'outil électrique peut être différente de la ou des valeurs déclarées, suivant la façon dont l'outil est utilisé, particulièrement selon le type de pièce usinée.

**⚠ AVERTISSEMENT** : Les mesures de sécurité à prendre pour protéger l'utilisateur doivent être basées sur une estimation de l'exposition dans des conditions réelles d'utilisation (en tenant compte de toutes les composantes du cycle d'utilisation, comme par exemple le moment de sa mise hors tension, lorsqu'il tourne à vide et le moment de son déclenchement).

## Déclarations de conformité

*Pour les pays européens uniquement*

Les déclarations de conformité sont fournies en Annexe A à ce mode d'emploi.

# CONSIGNES DE SÉCURITÉ

## Consignes de sécurité générales pour outils électriques

**AVERTISSEMENT** Veuillez lire toutes les consignes de sécurité, instructions, illustrations et spécifications qui accompagnent cet outil électrique. Le non-respect de toutes les instructions indiquées ci-dessous peut entraîner une électrocution, un incendie et/ou de graves blessures.

## Conservez toutes les mises en garde et instructions pour référence ultérieure.

Le terme « outil électrique » dans les avertissements fait référence à l'outil électrique alimenté par le secteur (avec cordon d'alimentation) ou à l'outil électrique fonctionnant sur batterie (sans cordon d'alimentation).

## Consignes de sécurité pour taille-haie sans fil

1. **N'utilisez pas la taille-haie par mauvais temps, particulièrement en cas d'orage.** Vous éviterez ainsi d'être frappé par la foudre.
2. **Éloignez les cordons d'alimentation et les câbles de la zone de coupe.** Les cordons d'alimentation ou les câbles peuvent être cachés derrière les haies ou les buissons et peuvent être coupés accidentellement par la lame.
3. **Portez un serre-tête antibruit.** Un équipement de protection adéquat réduira le risque de perte auditive.
4. **Tenez la taille-haie uniquement par ses surfaces de prise isolées, car la lame pourrait entrer en contact avec le câblage caché.** Le contact des lames avec un fil sous tension peut transmettre du courant dans les pièces métalliques exposées du taille-haie et électrocuter l'opérateur.
5. **Prenez soin de n'approcher aucune partie du corps de la lame. Ne retirez pas le matériau coupé, ni ne tenez le matériau à couper lorsque les lames sont en mouvement.** Les lames continuent de bouger même après que l'interrupteur est en position d'arrêt. Un moment d'inattention en cours d'utilisation du taille-haie peut entraîner des blessures graves.
6. **Lorsque vous dégagez un matériau bloqué ou dépannez la taille-haie, assurez-vous que tous les interrupteurs d'alimentation sont en position d'arrêt et que la batterie est retirée ou débranchée.** Le déclenchement inopiné du taille-haie pendant que vous dégagez un matériau bloqué ou dépannez l'appareil peut provoquer de graves blessures corporelles.
7. **Transportez la taille-haie par la poignée avec la lame arrêtée et en prenant soin de ne pas actionner l'interrupteur d'alimentation.** En transportant correctement le taille-haie, vous diminuez le risque d'un démarrage intempestif et le risque de blessure présenté par les lames.

8. **Lors du transport ou du rangement du taille-haie, utilisez toujours le couvre-lame.** Une manipulation correcte du taille-haie réduira le risque de blessure présenté par les lames.

## Consignes de sécurité supplémentaires

### Préparatifs

1. **Vérifiez l'absence de corps étrangers comme du fil barbelé ou un câblage caché dans les haies et les buissons avant d'utiliser l'outil.**
2. **L'outil ne doit pas être utilisé par des enfants ou des adolescents de moins de 18 ans.** Cette restriction peut ne pas s'appliquer aux mineurs de plus de 16 ans s'ils sont en cours de formation sous la surveillance d'un expert.
3. **Les utilisateurs novices doivent être formés par un utilisateur expérimenté pour leur montrer comment utiliser l'outil.**
4. **N'utilisez l'outil que si vous êtes en bonne condition physique.** Si vous êtes fatigué, votre attention sera réduite. Redoublez de précaution à la fin d'une journée de travail. Travaillez toujours en faisant preuve de calme et de prudence. L'utilisateur est responsable de tous les dommages causés à des tiers.
5. **N'utilisez jamais l'outil lorsque vous êtes sous l'influence d'alcool, de drogues ou de médicaments.**
6. **Les gants de travail en cuir robuste font partie de l'équipement de base de l'outil et leur port est obligatoire pendant que vous l'utilisez. Portez également des chaussures solides à semelles antidérapantes.**
7. **Avant de commencer la tâche, assurez-vous que l'outil est dans un bon état de marche sécuritaire. Assurez-vous que les carter de protection sont correctement installés. L'outil ne doit pas être utilisé tant qu'il n'est pas complètement assemblé.**
8. **Lorsque vous passez le taille-haie à une autre personne, une fois que vous l'avez posé au sol, reprenez-le après avoir complètement retiré votre main.** En passant le taille-haie à la main, vous devez tenir simultanément la poignée avant et la poignée arrière, et le taille-haie peut démarrer involontairement. Un démarrage intempestif peut provoquer de graves blessures.

### Fonctionnement

1. **Tenez l'outil fermement avec les deux mains lorsque vous l'utilisez.**
2. **L'outil est conçu pour être utilisé par l'opérateur au niveau du sol. N'utilisez pas l'outil sur une échelle ou tout autre support instable.**
3. **DANGER - Gardez vos mains à l'écart de la lame.** Le contact avec la lame présente un risque de graves blessures corporelles.
4. **N'utilisez pas l'outil sous la pluie ou dans des conditions mouillées ou très humides.** Le moteur électrique n'est pas étanche.
5. **Assurez-vous que vous avez une bonne assise avant la mise en marche.**
6. **Ne faites pas tourner l'outil à vide inutilement.**
7. **Éteignez immédiatement l'outil et retirez la batterie si les lames de cisaille entrent en contact avec une clôture ou un autre objet dur. Vérifiez si les lames sont endommagées et remplacez-les sur-le-champ, le cas échéant.**

8. Avant de vérifier les lames de cisaille, de les dépanner ou de retirer des matériaux pris dedans, éteignez toujours l'outil et retirez la batterie.
9. Ne dirigez jamais les lames de cisaille vers vous-même ou quelqu'un d'autre.
10. Si les lames cessent de bouger, car des corps étrangers sont collés entre elles pendant le fonctionnement, éteignez l'outil et retirez la batterie, puis ôtez les corps étrangers en utilisant un outil comme une pince. Ôter les corps étrangers à la main présente un risque de blessure, du fait que les lames peuvent bouger en réaction au retrait des corps étrangers.

## Sécurité électrique et sécurité des batteries

1. Évitez les environnements dangereux. N'utilisez pas l'outil dans un endroit humide, ni ne l'exposez à la pluie. Le risque d'électrocution augmente si de l'eau pénètre dans l'outil.
2. Ne jetez pas la ou les batteries au feu. L'élément de la pile pourrait exploser. Consultez les codes locaux pour de possibles instructions de mise au rebut spéciales.
3. N'ouvrez ni ne manipulez la ou les batteries. L'électrolyte qui s'échappe de la batterie est corrosif et peut irriter la peau ou les yeux. Il peut être toxique en cas d'ingestion.
4. Ne chargez pas la batterie sous la pluie ou dans un endroit mouillé.
5. Ne pas charger la batterie à l'extérieur.
6. Ne manipulez pas le chargeur, y compris la fiche du chargeur et les bornes du chargeur avec les mains mouillées.

### Entretien et rangement

1. Éteignez l'outil et retirez la batterie avant de procéder à l'entretien.
2. Lorsque vous déplacez l'outil dans un autre endroit, y compris pendant le travail, retirez toujours la batterie et placez le couvre-lame sur les lames de cisaille. Ne transportez jamais l'outil avec les lames fonctionnant. Ne saisissez jamais les lames avec les mains.
3. Nettoyez l'outil et particulièrement les lames de cisaille après utilisation et avant de le ranger pendant une période prolongée. Huilez légèrement les lames et mettez le couvre-lame en place.
4. Rangez l'outil avec le couvre-lame en place dans une pièce sèche. Gardez-le hors de portée des enfants. Ne rangez jamais l'outil à l'extérieur.
5. Ne jetez pas la ou les batteries au feu. L'élément de la pile pourrait exploser. Consultez les codes locaux pour de possibles instructions de mise au rebut spéciales.
6. N'ouvrez ni ne manipulez la ou les batteries. L'électrolyte qui s'échappe de la batterie est corrosif et peut irriter la peau ou les yeux. Il peut être toxique en cas d'ingestion.

## CONSERVEZ CES INSTRUCTIONS.

**⚠️ AVERTISSEMENT : NE vous laissez PAS tromper (au fil d'une utilisation répétée) par un sentiment d'aisance et de familiarité avec le produit, en négligeant le respect rigoureux des consignes de sécurité qui accompagnent le produit en question. La MAUVAISE UTILISATION de l'outil ou l'ignorance des consignes de sécurité indiquées dans ce mode d'emploi peut entraîner de graves blessures.**

## Consignes de sécurité importantes pour la batterie

1. Avant d'utiliser la batterie, lisez toutes les instructions et précautions relatives (1) au chargeur de batterie, (2) à la batterie, et (3) au produit utilisant la batterie.
2. Ne désassemblez pas et ne modifiez pas la batterie. Cela pourrait entraîner un incendie, une chaleur excessive ou une explosion.
3. Cessez immédiatement l'utilisation si le temps de fonctionnement devient excessivement court. Il y a risque de surchauffe, de brûlures, voire d'explosion.
4. Si l'électrolyte pénètre dans vos yeux, rincez-les à l'eau claire et consultez immédiatement un médecin. Il y a risque de perte de la vue.
5. Ne court-circuitez pas la batterie :
  - (1) Ne touchez les bornes avec aucun matériau conducteur.
  - (2) Évitez de ranger la batterie dans un conteneur avec d'autres objets métalliques, par exemple des clous, des pièces de monnaie, etc.
  - (3) N'exposez pas la batterie à l'eau ou à la pluie.

Un court-circuit de la batterie peut provoquer une intensité de courant élevée, une surchauffe, parfois des brûlures et même une panne.
6. Ne rangez ni n'utilisez l'outil et la batterie dans un endroit où la température risque d'atteindre ou de dépasser 50 °C.
7. Ne jetez pas la batterie au feu même si elle est sérieusement endommagée ou complètement épuisée. La batterie peut exploser au contact du feu.
8. Abstenez-vous de clouer, couper, écraser, jeter, laisser tomber la batterie, ou de la heurter contre un objet dur. Cela pourrait entraîner un incendie, une chaleur excessive ou une explosion.
9. N'utilisez pas la batterie si elle est endommagée.
10. Les batteries au lithium-ion contenues sont soumises aux exigences de la législation sur les marchandises dangereuses.
 

Lors du transport commercial par des tierces parties ou des transitaires par exemple, des exigences spécifiques en matière d'étiquetage et d'emballage doivent être respectées.

Pour la préparation de l'article expédié, il est nécessaire de consulter un expert en matériau dangereux. Veuillez également respecter les réglementations nationales susceptibles d'être plus détaillées. Recouvrez les contacts exposés avec du ruban adhésif ou du ruban de masquage et emballez la batterie de telle sorte qu'elle ne puisse pas bouger dans l'emballage.

11. Lors de la mise au rebut de la batterie, retirez-la de l'outil et jetez-la en lieu sûr. Suivez les réglementations locales en matière de mise au rebut des batteries.
12. Utilisez les batteries uniquement avec les produits spécifiés par Makita. L'insertion de batteries dans des produits non conformes peut provoquer un incendie, une chaleur excessive, une explosion ou une fuite de l'électrolyte.
13. Lorsque vous n'utilisez pas l'outil pendant une période prolongée, la batterie doit être retirée de l'outil.
14. Pendant et après l'utilisation, la batterie peut chauffer, ce qui peut entraîner des brûlures, y compris en cas de température relativement basse. Manipulez les batteries chaudes avec précaution.
15. Ne touchez pas la borne de l'outil immédiatement après utilisation car elle peut être assez chaude pour provoquer des brûlures.
16. Évitez que des copeaux, de la poussière ou du sol adhèrent aux bornes, aux trous et aux rainures de la batterie. Cela peut provoquer un échauffement, un incendie, une explosion ou un dysfonctionnement de l'outil ou de la batterie, ce qui peut entraîner des brûlures ou des blessures.
17. À moins que l'outil prenne en charge un tel usage, n'utilisez pas la batterie à proximité de lignes électriques haute tension. Cela pourrait entraîner un dysfonctionnement ou casser l'outil ou la batterie.
18. Conservez la batterie hors de portée des enfants.

## CONSERVEZ CES INSTRUCTIONS.

**⚠ATTENTION** : N'utilisez que des batteries Makita d'origine. L'utilisation de batteries de marque autre que Makita ou de batteries modifiées peut provoquer l'explosion des batteries, ce qui présente un risque d'incendie, de dommages matériels et corporels. Cela annulera également la garantie Makita pour l'outil et le chargeur Makita.

## Conseils pour assurer la durée de vie optimale de la batterie

1. Chargez la batterie avant qu'elle ne soit complètement déchargée. Arrêtez toujours l'outil et rechargez la batterie quand vous remarquez que la puissance de l'outil diminue.
2. Ne rechargez jamais une batterie complètement chargée. La surcharge réduit la durée de service de la batterie.
3. Chargez la batterie à une température ambiante comprise entre 10 °C et 40 °C. Avant de charger une batterie chaude, laissez-la refroidir.
4. Lorsque vous n'utilisez pas la batterie, retirez-la de l'outil ou du chargeur.
5. Rechargez la batterie si elle est restée inutilisée pendant une période prolongée (plus de six mois).

## DESCRIPTION DU FONCTIONNEMENT

**⚠ATTENTION** : Assurez-vous toujours que l'outil est hors tension et que sa batterie est retirée avant de l'ajuster ou de vérifier son fonctionnement.

### Insertion ou retrait de la batterie

**⚠ATTENTION** : Éteignez toujours l'outil avant de mettre en place ou de retirer la batterie.

**⚠ATTENTION** : Tenez fermement l'outil et la batterie lors de la mise en place ou du retrait de la batterie. Si vous ne tenez pas fermement l'outil et la batterie, ils peuvent vous glisser des mains, et s'abîmer ou vous blesser.

► Fig.1: 1. Indicateur rouge 2. Bouton 3. Batterie

Pour retirer la batterie, faites-la glisser hors de l'outil tout en faisant glisser le bouton à l'avant de la batterie.

Pour mettre la batterie en place, alignez la languette de la batterie avec la rainure du compartiment puis insérez la batterie. Insérez-la entièrement jusqu'à entendre un léger déclic indiquant qu'elle est bien en place. Si vous pouvez voir l'indicateur rouge comme illustré sur la figure, c'est qu'elle n'est pas bien verrouillée.

**⚠ATTENTION** : Insérez toujours complètement la batterie jusqu'à ce que l'indicateur rouge ne soit plus visible. Sinon, elle pourrait tomber accidentellement de l'outil, au risque de vous blesser ou de blesser quelqu'un se trouvant près de vous.

**⚠ATTENTION** : N'insérez pas la batterie de force. Si elle ne glisse pas facilement, c'est que vous ne l'insérez pas correctement.

### Indication de la charge restante de la batterie

**Uniquement pour les batteries avec voyant lumineux**

Appuyez sur le bouton de vérification sur la batterie pour indiquer la charge restante de la batterie. Les témoins s'allument pendant quelques secondes.

► Fig.2: 1. Témoins 2. Bouton de vérification

Témoins			Charge restante
Allumé	Éteint	Clignotant	
■	■	■	75 % à 100 %
■	■	□	50 % à 75 %
■	□	□	25 % à 50 %
■	□	□	0 % à 25 %
◐	□	□	Chargez la batterie.
■	■	□	Anomalie possible de la batterie.
□	□	■	

**NOTE :** Selon les conditions d'utilisation et la température ambiante, l'indication peut être légèrement différente de la capacité réelle.

**NOTE :** Le premier témoin (complètement à gauche) clignotera pendant le fonctionnement du système de protection de la batterie.

## Système de protection de l'outil/la batterie

**REMARQUE :** Selon les conditions d'utilisation, l'outil s'éteint automatiquement sans indication en présence d'un enchevêtrement de branches ou de débris. Dans ce cas, éteignez l'outil et retirez la batterie, puis ôtez l'enchevêtrement de branches ou de débris en utilisant un outil comme une pince. Après avoir ôté les branches ou débris, remettez la batterie en place et rallumez l'outil.

L'outil est équipé d'un système de protection de l'outil/la batterie. Ce système coupe automatiquement l'alimentation vers le moteur pour prolonger la durée de vie de l'outil et de la batterie. Si l'outil ou la batterie se trouve dans l'une des situations suivantes, l'outil cessera automatiquement de fonctionner.

### Protection contre la surcharge

Lorsque l'outil ou la batterie est utilisé(e) d'une manière provoquant un appel de courant anormalement élevé, l'outil s'arrête automatiquement. Dans cette situation, éteignez l'outil et arrêtez la tâche ayant provoqué la surcharge de l'outil. Puis rallumez l'outil pour reprendre la tâche.

### Protection contre la surchauffe

En cas de surchauffe de l'outil ou de la batterie, l'outil s'arrête automatiquement. Dans ce cas, laissez l'outil et la batterie refroidir avant de rallumer l'outil.

### Protection contre la décharge totale de la batterie

Lorsque la charge de la batterie est insuffisante, l'outil s'arrête automatiquement. Dans ce cas, retirez la batterie de l'outil et chargez-la.

### Protections contre d'autres causes

Le système de protection est également conçu pour d'autres causes qui pourraient endommager l'outil et lui permet de s'arrêter automatiquement. Suivez toutes les étapes ci-dessous pour éliminer les causes, lorsque l'outil a été arrêté provisoirement ou a cessé de fonctionner.

1. Éteignez l'outil, puis rallumez-le pour le redémarrer.
2. Chargez la ou les batteries ou remplacez-les par des batteries rechargées.
3. Laissez la machine et la ou les batteries refroidir.

En l'absence d'amélioration après avoir rétabli le système de protection, contactez votre centre de service Makita local.

**REMARQUE :** Si l'outil s'arrête en raison d'une cause non décrite ci-dessus, reportez-vous à la section de dépannage.

## Fonctionnement de la gâchette

**⚠️ AVERTISSEMENT :** Par mesure de sécurité, cet outil est équipé d'un levier interrupteur qui empêche le démarrage inopiné de l'outil. N'utilisez JAMAIS l'outil s'il fonctionne alors que vous avez seulement enclenché la gâchette sans avoir actionné le levier interrupteur. Reportez l'outil à notre centre de service après-vente agréé pour le faire réparer AVANT toute utilisation.

**⚠️ AVERTISSEMENT :** Ne fixez JAMAIS le levier interrupteur avec du ruban adhésif et absterneez-vous de le mettre hors fonction ou de contre-carrier son utilité.

**⚠️ AVERTISSEMENT :** Avant d'insérer la batterie dans l'outil, vérifiez toujours que la gâchette et le levier interrupteur fonctionnent correctement et reviennent en position d'arrêt lorsqu'ils sont relâchés. L'utilisation d'un outil dont l'interrupteur est défectueux comporte un risque de perte de contrôle et de graves blessures.

**⚠️ ATTENTION :** Ne placez jamais votre doigt sur l'interrupteur lors du transport. L'outil risquerait de démarrer brusquement et de provoquer des blessures.

Pour démarrer l'outil, tenez la poignée avant tout en appuyant sur le levier interrupteur et enclenchez la gâchette. Pour arrêter l'outil, relâchez la gâchette ou le levier interrupteur.

- **Fig.3:** 1. Poignée avant 2. Levier interrupteur  
3. Gâchette

## Témoin de contrôle

- **Fig.4:** 1. Témoin de contrôle

Le témoin de contrôle clignote ou s'allume lorsque la batterie est faible ou que l'outil est surchargé. Reportez-vous au tableau suivant pour voir l'état et la mesure à prendre.

Témoin de contrôle	État	Mesure à prendre
Le témoin clignote en rouge.	La batterie restante est faible.	Rechargez la batterie ou remplacez-la par une batterie chargée.
Le témoin s'allume en rouge.	La batterie restante est vide.	Rechargez la batterie ou remplacez-la par une batterie chargée.
	L'outil s'est arrêté en raison d'une surcharge.	Éteignez l'outil et retirez la cause de la surcharge.
	L'outil s'est arrêté en raison d'une surchauffe.	Éteignez l'outil et laissez refroidir l'outil et la batterie.

**NOTE :** Le moment où le témoin de contrôle clignote ou s'allume dépend de la température autour de la zone de travail et de l'état de la batterie.

## Fonction électronique

L'outil est doté de fonctions électroniques pour en faciliter le fonctionnement.

- **Contrôle de vitesse constante**  
La fonction de contrôle de la vitesse offre une vitesse de rotation constante quelles que soient les conditions de charge.
- **Frein électrique**  
Cet outil est équipé d'un frein électrique. Si systématiquement l'outil n'arrive pas à arrêter rapidement les lames de cisaille après le relâchement de la gâchette, faites réparer l'outil dans un centre de service après-vente Makita agréé.
- **Fonction de prévention de redémarrage accidentel**  
Même si vous insérez la batterie tout en enclenchant la gâchette, l'outil ne démarrera pas. Pour démarrer l'outil, commencez par relâcher la gâchette, puis enclenchez-la.

## ASSEMBLAGE

**⚠ ATTENTION :** Assurez-vous toujours que l'outil est hors tension et que sa batterie est retirée avant d'effectuer toute tâche dessus.

**⚠ ATTENTION :** Lorsque vous remplacez les lames de cisaille, portez toujours des gants de sorte que vos mains ne touchent pas directement les lames.

**REMARQUE :** Lorsque vous remplacez les lames de cisaille, ne retirez pas la graisse de l'engrenage et de la manivelle.

## Pose ou dépose des lames de cisaille

**⚠ ATTENTION :** Fixez le couvre-lame avant de déposer ou poser les lames de cisaille.

Vous pouvez installer des lames de cisaille de 500 mm ou 600 mm sur votre outil.

1. Fixez le couvre-lame sur les lames de cisaille.  
▶ Fig.5: 1. Couvre-lame
2. Placez l'outil à l'envers, retirez les 6 boulons, puis enlevez le couvercle et la plaque.  
▶ Fig.6: 1. Boulon 2. Couvercle 3. Plaque

**NOTE :** La plaque peut rester sur le couvercle.

3. Tournez la manivelle avec le tournevis plat de sorte que les deux trous soient perpendiculaires aux lames de cisaille.  
▶ Fig.7: 1. Manivelle 2. Trou
4. Retirez 2 boulons, le plateau en feutre et les manchons, puis déposez les lames de cisaille.  
▶ Fig.8: 1. Plateau en feutre 2. Boulon 3. Manchon 4. Lames de cisaille
5. Retirez le couvre-lame, puis fixez-le sur les lames de cisaille neuves.  
▶ Fig.9: 1. Couvre-lame

6. Alignez les bords arrière des lames de cisaille comme illustré sur la figure.

▶ Fig.10: 1. Bord arrière

7. Faites glisser légèrement les lames de cisaille comme illustré sur la figure, puis fixez les manchons sur les lames de cisaille.

▶ Fig.11: 1. Manchon

8. Faites glisser légèrement le couvre-lame vers la pointe des lames de cisaille, puis fixez les lames de cisaille sur l'outil.

▶ Fig.12: 1. Lames de cisaille

**REMARQUE :** Appliquez une petite quantité de graisse sur la périphérie interne du trou des lames de cisaille.

**REMARQUE :** Prenez garde de ne pas perdre les manchons.

9. Faites glisser les lames de cisaille et les manchons de sorte que les trous sur les manchons soient alignés avec les trous sur l'outil.

▶ Fig.13: 1. Trou sur l'outil 2. Trou sur le manchon

10. Serrez les boulons pour fixer en place les lames de cisaille.

▶ Fig.14: 1. Boulon

11. Fixez le plateau en feutre sur les lames de cisaille.

▶ Fig.15: 1. Plateau en feutre

12. Fixez la plaque.

▶ Fig.16: 1. Plaque

13. Fixez le couvercle, puis serrez 6 boulons.

▶ Fig.17: 1. Boulon 2. Couvercle

**REMARQUE :** Si les lames de cisaille ne bougent pas correctement, elles ne sont pas engagées correctement dans la manivelle. Installez à nouveau les lames de cisaille.

**REMARQUE :** Si d'autres pièces que les lames de cisaille comme la manivelle sont usées, demandez leur remplacement ou réparation aux centres de service après-vente Makita agréés.

## Installation ou retrait du collecteur de copeaux

*Accessoire en option*

**⚠ ATTENTION :** Lorsque vous installez ou retirez le collecteur de copeaux, portez toujours des gants de sorte que vos mains n'entrent pas en contact direct avec les lames de cisaille.

**REMARQUE :** Le couvre-lame ne peut pas être mis en place si le collecteur de copeaux est installé sur l'outil. Avant de transporter ou ranger l'outil, désinstallez le collecteur de copeaux, puis installez le couvre-lame pour éviter d'exposer les lames.

**REMARQUE :** Veillez à retirer le couvre-lame avant d'installer le collecteur de copeaux.



Le collecteur de copeaux rassemble les feuilles élaguées et facilite le nettoyage ultérieur. Il s'installe d'un côté comme de l'autre de l'outil.

1. Alignez les trous sur le collecteur de copeaux avec les vis sur les lames de cisaille.  
► **Fig.18:** 1. Vis
2. Accrochez les griffes du collecteur de copeaux sur la rainure des lames de cisaille.  
► **Fig.19:** 1. Griffes 2. Rainure
3. Appuyez sur les leviers du collecteur de copeaux, puis accrochez les griffes de l'autre côté sur la rainure des lames de cisaille.  
► **Fig.20:** 1. Levier

Pour retirer le collecteur de copeaux, appuyez sur les leviers pour relâcher les griffes.

► **Fig.21:** 1. Levier

**REMARQUE :** N'essayez jamais de retirer le collecteur de copeaux en exerçant une force excessive avec ses crochets verrouillés sur les lames de cisaille.

## UTILISATION

**⚠AVERTISSEMENT :** Éloignez les mains des lames de cisaille.

**⚠ATTENTION :** Évitez autant que possible de faire fonctionner l'outil par temps très chaud. Lorsque vous utilisez l'outil, faites attention à votre condition physique.

**⚠ATTENTION :** Prenez soin de ne pas toucher accidentellement une clôture en métal ou d'autres objets durs pendant la coupe. Les lames de cisaille peuvent se briser et vous blesser.

**⚠ATTENTION :** Prenez soin de ne pas laisser les lames de cisaille entrer en contact avec le sol. L'outil pourrait avoir un mouvement de recul et provoquer des blessures.

**⚠ATTENTION :** Il est très dangereux de se pencher trop loin avec un taille-haie, particulièrement depuis une échelle. Ne travaillez pas en vous tenant debout sur une surface bancale ou molle.

**REMARQUE :** N'essayez pas de couper avec l'outil des branches dont l'épaisseur dépasse 10 mm de diamètre. Coupez les branches à 10 cm plus bas que la hauteur de coupe au moyen d'un coupe-branches avant d'utiliser l'outil.

► **Fig.22:** (1) Hauteur de coupe (2) 10 cm

**REMARQUE :** Ne coupez pas d'arbres morts ou d'objets durs semblables. Vous risqueriez d'endommager l'outil.

**REMARQUE :** Ne coupez pas l'herbe ou les mauvaises herbes pendant que vous utilisez les lames de cisaille. Les lames de cisaille peuvent s'entortiller dans l'herbe ou les mauvaises herbes.

Tenez l'outil des deux mains, tenez la poignée avant tout en appuyant sur le levier interrupteur et enclenchez la gâchette, puis avancez l'outil vers l'avant.

► **Fig.23**

Pour une utilisation élémentaire, inclinez les lames de cisaille dans le sens de coupe et déplacez-le calmement et lentement à une vitesse de 3 à 4 secondes par mètre.

► **Fig.24**

Pour tailler le haut d'une haie de manière uniforme, nouez une ficelle à la hauteur souhaitée et coupez autour.

► **Fig.25**

Si le collecteur de copeaux est fixé aux lames de cisaille, il rassemble les feuilles élaguées et facilite le nettoyage ultérieur.

► **Fig.26**

Pour couper uniformément le côté d'une haie, coupez de bas en haut.

► **Fig.27**

Pour tailler une forme ronde (taille de buis ou rhododendron, etc.), coupez depuis la racine jusqu'en haut pour obtenir un rendu magnifique.

► **Fig.28**

## ENTRETIEN

**⚠ATTENTION :** Assurez-vous toujours que l'outil est hors tension et que la batterie est retirée avant d'y effectuer tout travail d'inspection ou d'entretien.

Pour assurer la SÉCURITÉ et la FIABILITÉ du produit, toute réparation, tout travail d'entretien ou de réglage doivent être effectués par un centre d'entretien Makita agréé, avec des pièces de rechange Makita.

### Nettoyage de l'outil

Nettoyez l'outil en essuyant la poussière avec un chiffon sec ou un chiffon imbibé d'eau savonneuse bien essoré.

**REMARQUE :** N'utilisez jamais d'essence, benzine, diluant, alcool ou autre produit similaire. Cela risquerait de provoquer la décoloration, la déformation ou la fissuration de l'outil.



## Entretien des lames de cisaille

Avant utilisation ou une fois toutes les heures pendant l'utilisation, appliquez de l'huile à faible viscosité (huile machine ou huile lubrifiante en vaporisateur) sur les lames de cisaille.

► Fig.29

Après utilisation, retirez la poussière des deux côtés des lames de cisaille avec une brosse métallique, essuyez-la avec un chiffon, puis appliquez de l'huile à faible viscosité (huile machine ou huile lubrifiante en vaporisateur) sur les lames de cisaille.

► Fig.30

**REMARQUE** : Ne lavez pas les lames de cisaille dans l'eau. Cela peut les corroder ou endommager l'outil.

**REMARQUE** : La saleté et la corrosion provoquent une friction excessive de la lame et réduisent la durée de fonctionnement par charge de batterie.

## Rangement

Le trou du crochet au bas de l'outil permet d'accrocher l'outil à un clou ou une vis au mur.

Fixez le couvre-lame aux lames de cisaille de sorte que les lames ne soient pas exposées. Rangez l'outil hors de portée des enfants. Rangez l'outil dans un endroit non exposé à l'humidité ou à la pluie.

► Fig.31: 1. Trou

## Aiguisage des lames de cisaille

**REMARQUE** : Si les lames de cisaille sont considérablement déformées par l'aiguisage, remplacez-les par des neuves.

1. Installez la batterie dans l'outil.  
2. Mettez l'outil sous tension et démarrez-le de sorte que la lame supérieure et la lame inférieure soient placées de façon alternée.

► Fig.32

3. Mettez l'outil hors tension et retirez la batterie de l'outil.

4. Réglez l'angle d'une lime à 35°, et aiguiser la lame supérieure dans 2 directions avec la lime.

► Fig.33: (1) Lime (2) 35°

**ATTENTION** : Avant d'aiguiser les lames de cisaille, assurez-vous que l'outil est éteint et que la batterie est retirée de l'outil.

5. Placez l'outil à l'envers, puis retirez les bavures des lames de cisaille avec la pierre d'affûtage.

► Fig.34: 1. Pierre d'affûtage

6. Réglez l'angle de la lime à 35°, et aiguiser la lame inférieure dans 2 directions avec la lime.

7. Placez l'outil sur la position normale, puis retirez les bavures des lames de cisaille avec la pierre d'affûtage.

## Lubrification à la graisse

**Intervalle de lubrification** : Toutes les 50 heures de fonctionnement

1. Retirez le boulon du trou pour la lubrification.

► Fig.35: 1. Boulon

2. Retirez le bouchon du tube de graisse. Alignez la sortie du tube de graisse avec le trou sur le couvercle, puis tournez le tube de graisse pour fixer sa sortie dans le trou.

► Fig.36: 1. Tube de graisse 2. Trou

3. Graissez l'outil (environ 3 g, à titre indicatif).

4. Déposez le tube de graisse.

5. Serrez le boulon.

# GUIDE DE DÉPANNAGE

Avant de faire une demande de réparation, effectuez d'abord vous-même une inspection. Si vous rencontrez un problème non documenté dans le mode d'emploi, n'essayez pas de démonter l'outil. Demandez plutôt à un centre de service après-vente Makita agréé d'effectuer la réparation au moyen de pièces de rechange Makita.

État d'anomalie	Cause probable (dysfonctionnement)	Solution
Le moteur ne tourne pas.	La batterie n'est pas installée.	Installez la batterie.
	Problème de batterie (sous tension)	Rechargez la batterie. Si vous n'arrivez pas à recharger la batterie, remplacez-la.
	Le mécanisme d'entraînement ne fonctionne pas correctement.	Demandez à votre centre de service après-vente local agréé d'effectuer la réparation.
Le moteur s'arrête au bout d'un court moment.	La charge de la batterie est faible.	Rechargez la batterie. Si vous n'arrivez pas à recharger la batterie, remplacez-la.
	Surchauffe.	Arrêtez d'utiliser l'outil pour le laisser refroidir.
L'outil ne tourne pas à plein régime.	La batterie n'est pas bien installée.	Installez la batterie comme décrit dans ce mode d'emploi.
	La batterie faiblit.	Rechargez la batterie. Si vous n'arrivez pas à recharger la batterie, remplacez-la.
	Le mécanisme d'entraînement ne fonctionne pas correctement.	Demandez à votre centre de service après-vente local agréé d'effectuer la réparation.
Les lames de cisaille ne bougent pas : ⇒ arrêtez immédiatement la machine !	Des corps étrangers sont coincés entre les lames de cisaille.	Éteignez l'outil et retirez la batterie, puis enlevez les corps étrangers en utilisant un outil comme une pince.
	Le mécanisme d'entraînement ne fonctionne pas correctement.	Demandez à votre centre de service après-vente local agréé d'effectuer la réparation.
Vibration anormale : ⇒ arrêtez immédiatement la machine !	Les lames de cisaille sont cassées, pliées ou usées.	Remplacez les lames de cisaille.
	Le mécanisme d'entraînement ne fonctionne pas correctement.	Demandez à votre centre de service après-vente local agréé d'effectuer la réparation.
Les lames de cisaille et le moteur ne s'arrêtent pas : ⇒ retirez immédiatement la batterie !	Dysfonctionnement électrique.	Retirez la batterie et demandez à votre centre de service après-vente local agréé d'effectuer la réparation.

## ACCESSOIRES EN OPTION

**⚠ ATTENTION :** Ces accessoires ou pièces complémentaires sont recommandés pour l'utilisation avec l'outil Makita spécifié dans ce mode d'emploi. L'utilisation de tout autre accessoire ou pièce complémentaire peut comporter un risque de blessure. N'utilisez les accessoires ou pièces complémentaires qu'aux fins auxquelles ils ont été conçus.

Pour obtenir plus de détails sur ces accessoires, contactez votre centre d'entretien local Makita.

- Ensemble de lame de cisaille
- Couvre-lame de cisaille
- Collecteur de copeaux
- Tube de graisse
- Batterie et chargeur de marque Makita

**NOTE :** Il se peut que certains éléments de la liste soient compris dans l'emballage de l'outil en tant qu'accessoires standard. Ils peuvent varier d'un pays à l'autre.

## TECHNISCHE DATEN

Modell:		DUH506	DUH606
Messerlänge		500 mm	600 mm
Hubzahl pro Minute		4.000 min <sup>-1</sup>	
Gesamtlänge (ohne Akku)		846 mm	965 mm
Nennspannung		18 V Gleichstrom	
Nettogewicht	*1	2,2 kg	2,3 kg
	*2	2,5 - 2,9 kg	2,7 - 3,0 kg

- Wir behalten uns vor, Änderungen der technischen Daten im Zuge der Entwicklung und des technischen Fortschritts ohne vorherige Ankündigung vorzunehmen.
- Die technischen Daten können von Land zu Land unterschiedlich sein.
- \*1: Gewicht ohne Zubehör oder Akku(s)
- \*2: Das Gewicht kann abhängig von dem Aufsatz (den Aufsätzen), einschließlich des Akkus, unterschiedlich sein. Die leichtesten und schwersten Kombinationen gemäß dem EPTA-Verfahren 01/2014 sind in der Tabelle angegeben.

### Zutreffende Akkus und Ladegeräte

Akku	BL1815N / BL1820B / BL1830B / BL1840B / BL1850B / BL1860B
Ladegerät	DC18RC / DC18RD / DC18RE / DC18SD / DC18SE / DC18SF / DC18SH / DC18WC

- Einige der oben aufgelisteten Akkus und Ladegeräte sind je nach Ihrem Wohngebiet eventuell nicht erhältlich.

**⚠️ WARNUNG:** Verwenden Sie nur die oben aufgeführten Akkus und Ladegeräte. Bei Verwendung irgendwelcher anderer Akkus und Ladegeräte besteht Verletzungs- und/oder Brandgefahr.







### Empfohlene kabelgebundene Stromquelle

Rückentragbare Akku-Bank	PDC01
--------------------------	-------

- Die oben aufgelisteten kabelgebundenen Stromquellen sind je nach Ihrem Wohngebiet eventuell nicht erhältlich.
- Lesen Sie vor Gebrauch der kabelgebundenen Stromquelle die daran angebrachten Anweisungen und Warnmarkierungen durch.

### Symbole

Nachfolgend werden Symbole beschrieben, die für das Gerät verwendet werden können. Machen Sie sich unbedingt vor der Benutzung mit ihrer Bedeutung vertraut.

	Betriebsanleitung lesen.
	Tragen Sie einen Augenschutz.
	GEFAHR- Halten Sie Ihre Hände vom Messer fern.
	Keiner Feuchtigkeit aussetzen.
	Augen- und Gehörschutz tragen.
	Setzen Sie das Gerät keinem Regen aus.



Nur für EU-Länder  
Aufgrund des Vorhandenseins gefährlicher Komponenten in der Ausrüstung können Elektro- und Elektronik-Altgeräte, Akkumulatoren und Batterien sich negativ auf die Umwelt und die menschliche Gesundheit auswirken.  
Entsorgen Sie Elektro- und Elektronikgeräte oder Batterien nicht mit dem Hausmüll!  
In Übereinstimmung mit der Europäischen Richtlinie über Elektro- und Elektronik-Altgeräte, Akkumulatoren und Batterien, verbrauchte Akkumulatoren und Batterien sowie ihrer Anpassung an nationales Recht sollten Elektro-Altgeräte, Batterien und Akkumulatoren gemäß den Umweltschutzbestimmungen getrennt gelagert und zu einer getrennten Sammelstelle für Siedlungsabfälle geliefert werden.  
Dies wird durch das am Gerät angebrachte Symbol der durchgestrichenen Abfalltonne auf Rädern angezeigt.



Garantierter Schallleistungspegel gemäß der EU-Richtlinie über Außenlärm.



Schallleistungspegel gemäß der australischen NSW-Lärmschutzverordnung

## Vorgesehene Verwendung

Das Werkzeug ist zum Trimmen von Hecken vorgesehen.

## Geräusch

Typischer A-bewerteter Geräuschpegel ermittelt gemäß EN62841-4-2:

Modell	Schalldruckpegel		Garantierter Schallleistungspegel	Gemessener Schallleistungspegel	
	$L_{pA}$ (dB (A))	Messunsicherheit K (dB (A))	$L_{wA}$ (dB (A))	$L_{wA}$ (dB (A))	Messunsicherheit K (dB (A))
DUH506	80	3	90	88	1,8
DUH606	82	3	92	90	1,9

**HINWEIS:** Der (Die) angegebene(n) Schallemissionswert(e) wurde(n) im Einklang mit der Standardprüfmethode gemessen und kann (können) für den Vergleich zwischen Werkzeugen herangezogen werden.

**HINWEIS:** Der (Die) angegebene(n) Schallemissionswert(e) kann (können) auch für eine Vorbewertung des Gefährdungsgrads verwendet werden.

**⚠️ WARNUNG:** Einen Gehörschutz tragen.

**⚠️ WARNUNG:** Die Schallemission während der tatsächlichen Benutzung des Elektrowerkzeugs kann je nach der Benutzungsweise des Werkzeugs, und speziell je nach der Art des bearbeiteten Werkstücks, von dem (den) angegebenen Wert(en) abweichen.

**⚠️ WARNUNG:** Identifizieren Sie Sicherheitsmaßnahmen zum Schutz des Benutzers anhand einer Schätzung des Gefährdungsgrads unter den tatsächlichen Benutzungsbedingungen (unter Berücksichtigung aller Phasen des Arbeitszyklus, wie z. B. Ausschalt- und Leerlaufzeiten des Werkzeugs zusätzlich zur Betriebszeit).

## Schwingungen

Schwingungsgesamtwert (Drei-Achsen-Vektorsumme) ermittelt gemäß EN62841-4-2:

Modell	Vorderer Handgriff		Hinterer Handgriff	
	ah (m/s <sup>2</sup> )	Messunsicherheit K (m/s <sup>2</sup> )	ah (m/s <sup>2</sup> )	Messunsicherheit K (m/s <sup>2</sup> )
DUH506	2,5 m/s <sup>2</sup> oder weniger	1,5	2,5 m/s <sup>2</sup> oder weniger	1,5
DUH606	2,5 m/s <sup>2</sup> oder weniger	1,5	2,5 m/s <sup>2</sup> oder weniger	1,5

**HINWEIS:** Der (Die) angegebene(n) Vibrationsgesamtwert(e) wurde(n) im Einklang mit der Standardprüfmethode gemessen und kann (können) für den Vergleich zwischen Werkzeugen herangezogen werden.

**HINWEIS:** Der (Die) angegebene(n) Vibrationsgesamtwert(e) kann (können) auch für eine Vorbewertung des Gefährdungsgrads verwendet werden.

**⚠️ WARNUNG:** Die Vibrationsemission während der tatsächlichen Benutzung des Elektrowerkzeugs kann je nach der Benutzungsweise des Werkzeugs, und speziell je nach der Art des bearbeiteten Werkstücks, von dem (den) angegebenen Emissionswert(en) abweichen.

**⚠️ WARNUNG:** Identifizieren Sie Sicherheitsmaßnahmen zum Schutz des Benutzers anhand einer Schätzung des Gefährdungsgrads unter den tatsächlichen Benutzungsbedingungen (unter Berücksichtigung aller Phasen des Arbeitszyklus, wie z. B. Ausschalt- und Leerlaufzeiten des Werkzeugs zusätzlich zur Betriebszeit).

## Konformitätserklärungen

### Nur für europäische Länder

Die Konformitätserklärungen sind in Anhang A dieser Betriebsanleitung enthalten.

## SICHERHEITSWARNUNGEN

### Allgemeine Sicherheitswarnungen für Elektrowerkzeuge

**⚠️ WARNUNG** Lesen Sie alle Sicherheitshinweise, Anweisungen, Abbildungen und Spezifikationen, die diesem Elektrowerkzeug beiliegen. Eine Missachtung der unten aufgeführten Anweisungen kann zu einem elektrischen Schlag, Brand und/oder schweren Verletzungen führen.

### Bewahren Sie alle Warnungen und Anweisungen für spätere Bezugnahme auf.

Der Ausdruck „Elektrowerkzeug“ in den Warnhinweisen bezieht sich auf Ihr mit Netzstrom (mit Kabel) oder Akku (ohne Kabel) betriebenes Elektrowerkzeug.

### Sicherheitswarnungen für Akku-Heckenschere

1. **Benutzen Sie die Heckenschere nicht bei schlechten Witterungsverhältnissen, besonders bei Blitzschlaggefahr.** Dadurch wird die Blitzschlaggefahr verringert.
2. **Halten Sie alle Netzkabel und Kabel vom Schneidbereich fern.** Netzkabel oder Kabel können in Hecken oder Büschen verborgen sein und versehentlich durch das Messer abgeschnitten werden.
3. **Gehörschutz tragen.** Eine angemessene Schutzausrüstung verringert das Risiko von Gehörverlust.
4. **Halten Sie die Heckenschere nur an den isolierten Griffflächen, weil die Gefahr besteht, dass das Messer verborgene Kabel kontaktiert.** Bei Kontakt der Messer mit einem Strom führenden Kabel können die freiliegenden Metallteile der Heckenschere ebenfalls Strom führend werden, so dass der Benutzer einen elektrischen Schlag erleiden kann.
5. **Halten Sie alle Körperteile vom Messer fern. Versuchen Sie nicht, abgeschnittenes Material zu entfernen oder zu schneidendes Material zu halten, während die Messer sich bewegen.** Die Messer bewegen sich nach dem Ausschalten des Schalters noch weiter. Ein Augenblick der Unachtsamkeit während der Benutzung der Heckenschere kann zu schweren Personenschäden führen.
6. **Vergewissern Sie sich vor dem Beseitigen von eingeklemmtem Material oder dem Warten der Heckenschere, dass alle Ein-Aus-Schalter ausgeschaltet sind und der Akku abgenommen oder abgetrennt ist.** Unerwartete Betätigung der Heckenschere beim Beseitigen von eingeklemmtem Material oder Warten kann zu schweren Personenschäden führen.

7. **Tragen Sie die Heckenschere bei still stehendem Messer am Handgriff, und achten Sie darauf, keinen Ein-Aus-Schalter zu betätigen.** Sachgemäßes Tragen der Heckenschere verringert die Gefahr von versehentlichem Starten und daraus resultierenden Personenschäden durch die Messer.
8. **Verwenden Sie für den Transport oder die Lagerung der Heckenschere immer die Messerabdeckung.** Sachgemäße Handhabung der Heckenschere verringert die Gefahr von Personenschäden durch die Messer.

### Zusätzliche Sicherheitswarnungen

#### Vorbereitung

1. **Überprüfen Sie die Hecken und Büsche auf Fremdkörper, wie z. B. Drahtzäune oder verborgene Kabel, bevor Sie das Werkzeug betreiben.**
2. **Das Werkzeug darf nicht von Kindern oder Jugendlichen unter 18 Jahren benutzt werden.** Jugendliche über 16 Jahre können von dieser Einschränkung ausgenommen werden, wenn sie eine Schulung unter der Aufsicht eines Fachmanns durchmachen.
3. **Anfänger sollten sich von einem erfahrenen Benutzer im Gebrauch des Werkzeugs unterweisen lassen.**
4. **Benutzen Sie das Werkzeug nur, wenn Sie sich in guter körperlicher Verfassung befinden.** Ermüdung führt zu verminderter Aufmerksamkeit. Besonders hohe Aufmerksamkeit ist am Ende eines Arbeitstages erforderlich. Führen Sie alle Arbeiten ruhig und sorgfältig durch. Der Benutzer ist für alle Schäden an Dritten verantwortlich.
5. **Benutzen Sie das Werkzeug niemals unter dem Einfluss von Alkohol, Drogen oder Medikamenten.**
6. **Arbeitshandschuhe aus robustem Leder sind Teil der Grundausrüstung des Werkzeugs und müssen bei der Arbeit immer getragen werden. Tragen Sie auch robuste Schuhe mit rutschfesten Sohlen.**
7. **Bevor Sie mit der Arbeit beginnen, vergewissern Sie sich, dass das Werkzeug in gutem und sicherem Arbeitszustand ist. Vergewissern Sie sich, dass Schutzhauben ordnungsgemäß angebracht sind. Das Werkzeug darf nur in vollständig montiertem Zustand benutzt werden.**
8. **Wenn Sie die Heckenschere an eine andere Person weitergeben, legen Sie die Heckenschere einmal auf den Boden, und nehmen Sie sie wieder in die Hand, nachdem Sie Ihre Hand vollständig weggenommen haben.** Die Übergabe der Heckenschere von Hand verursacht ein gleichzeitiges Festhalten des vorderen und hinteren Handgriffs, wodurch die Heckenschere unbeabsichtigt startet. Unbeabsichtigtes Starten kann schwere Verletzungen verursachen.

## Betrieb

1. Halten Sie das Werkzeug während der Benutzung mit beiden Händen fest.
2. Das Werkzeug ist zur Benutzung durch den Bediener auf Bodenhöhe vorgesehen. Benutzen Sie das Werkzeug nicht auf einer Leiter oder einer anderen instabilen Unterlage.
3. **GEFAHR - Halten Sie Ihre Hände vom Messer fern.** Kontakt mit dem Messer führt zu ernsthaften Personenschäden.
4. **Benutzen Sie das Werkzeug nicht bei Regen oder unter nassen oder sehr feuchten Bedingungen.** Der Elektromotor ist nicht wasserdicht.
5. **Achten Sie auf sicheren Stand, bevor Sie mit der Arbeit beginnen.**
6. **Lassen Sie das Werkzeug nicht unnötig im Leerlauf laufen.**
7. **Schalten Sie das Werkzeug sofort aus, und nehmen Sie den Akku ab, falls die Schermesser mit einem Zaun oder einem anderen harten Objekt in Berührung kommen.** Überprüfen Sie die Messer auf Beschädigung, und ersetzen Sie beschädigte Messer unverzüglich.
8. **Schalten Sie stets das Werkzeug aus, und nehmen Sie den Akku ab, bevor Sie die Schermesser überprüfen, Fehler beheben oder zwischen den Schermessern eingeklemmtes Material entfernen.**
9. **Richten Sie die Schermesser niemals auf sich selbst oder andere Personen.**
10. **Falls die Messer stehen bleiben, weil sich Fremdkörper während des Betriebs zwischen den Messern verfangen haben, schalten Sie das Werkzeug aus, nehmen Sie den Akku ab, und beseitigen Sie dann die Fremdkörper mithilfe von Werkzeugen, wie z. B. einer Zange.** Beseitigen der Fremdkörper von Hand kann zu einer Verletzung führen, da sich die Messer als Reaktion auf die Beseitigung der Fremdkörper bewegen können.

## Sicherheit der Elektrik und des Akkus

1. **Vermeiden Sie gefährliche Umgebungen. Benutzen Sie das Werkzeug nicht an feuchten oder nassen Orten, und setzen Sie es auch keinem Regen aus. Wasser, das in das Werkzeug eindringt, erhöht die Stromschlaggefahr.**
2. **Werfen Sie den (die) Akku(s) nicht ins Feuer.** Die Zelle könnte explodieren. Prüfen Sie die örtlichen Vorschriften für mögliche spezielle Entsorgungsanweisungen.
3. **Versuchen Sie nicht, den (die) Akku(s) zu öffnen oder zu verstümmeln.** Freigesetzter Elektrolyt ist korrosiv und kann Schäden an Augen oder Haut verursachen. Falls er verschluckt wird, kann er giftig sein.
4. **Laden Sie den Akku nicht im Regen oder an nassen Orten.**
5. **Laden Sie den Akku nicht im Freien.**
6. **Fassen Sie das Ladegerät, einschließlich des Ladegerätesteckers und der Ladegeräteanschlüsse, nicht mit nassen Händen an.**

## Wartung und Lagerung

1. **Schalten Sie das Werkzeug aus, und nehmen Sie den Akku ab, bevor Sie irgendwelche Wartungsarbeiten ausführen.**
2. **Wenn Sie das Werkzeug zu einem anderen Ort transportieren, auch während der Arbeit, nehmen Sie immer den Akku ab, und setzen Sie die Messerabdeckung auf die Schermesser. Tragen oder transportieren Sie das Werkzeug niemals mit laufenden Messern. Ergreifen Sie die Messer niemals mit Ihren Händen.**
3. **Reinigen Sie das Werkzeug und insbesondere die Schermesser nach jedem Gebrauch und vor längerer Lagerung des Werkzeugs. Ölen Sie die Messer leicht ein, und bringen Sie die Messerabdeckung an.**
4. **Lagern Sie das Werkzeug mit angebrachter Messerabdeckung in einem trockenen Raum. Halten Sie sie außer Reichweite von Kindern. Lagern Sie das Werkzeug niemals im Freien.**
5. **Werfen Sie den (die) Akku(s) nicht ins Feuer. Die Zelle könnte explodieren. Prüfen Sie die örtlichen Vorschriften für mögliche spezielle Entsorgungsanweisungen.**
6. **Versuchen Sie nicht, den (die) Akku(s) zu öffnen oder zu verstümmeln. Freigesetzter Elektrolyt ist korrosiv und kann Schäden an Augen oder Haut verursachen. Falls er verschluckt wird, kann er giftig sein.**

## DIESE ANWEISUNGEN AUFBEWAHREN.

**⚠️ WARNUNG:** Lassen Sie sich NICHT durch Bequemlichkeit oder Vertrautheit mit dem Produkt (durch wiederholten Gebrauch erworben) von der strikten Einhaltung der Sicherheitsregeln für das vorliegende Produkt abhalten. **MISSBRAUCH** oder Missachtung der Sicherheitsvorschriften in dieser Anleitung können schwere Verletzungen verursachen.

## Wichtige Sicherheitsanweisungen für Akku

1. **Lesen Sie vor der Benutzung des Akkus alle Anweisungen und Warnhinweise, die an (1) Ladegerät, (2) Akku und (3) Akkuwerkzeug angebracht sind.**
2. **Unterlassen Sie Zerlegen oder Manipulieren des Akkus.** Es kann sonst zu einem Brand, übermäßiger Hitzeentwicklung oder einer Explosion kommen.
3. **Falls die Betriebszeit beträchtlich kürzer geworden ist, stellen Sie den Betrieb sofort ein. Anderenfalls besteht die Gefahr von Überhitzung, möglichen Verbrennungen und sogar einer Explosion.**
4. **Falls Elektrolyt in Ihre Augen gelangt, waschen Sie sie mit sauberem Wasser aus, und begeben Sie sich unverzüglich in ärztliche Behandlung. Anderenfalls können Sie Ihre Sehkraft verlieren.**

5. **Der Akku darf nicht kurzgeschlossen werden:**
  - (1) Die Kontakte dürfen nicht mit leitfähigem Material berührt werden.
  - (2) Lagern Sie den Akku nicht in einem Behälter zusammen mit anderen Metallgegenständen, wie z. B. Nägel, Münzen usw.
  - (3) Setzen Sie den Akku weder Wasser noch Regen aus.

Ein Kurzschluss des Akkus verursacht starken Stromfluss, der Überhitzung, mögliche Verbrennungen und einen Defekt zur Folge haben kann.
6. Lagern und benutzen Sie das Werkzeug und den Akku nicht an Orten, an denen die Temperatur 50 °C erreichen oder überschreiten kann.
7. Versuchen Sie niemals, den Akku zu verbrennen, selbst wenn er stark beschädigt oder vollkommen verbraucht ist. Der Akku kann im Feuer explodieren.
8. Unterlassen Sie Nageln, Schneiden, Zerquetschen, Werfen, Fallenlassen des Akkus oder Schlagen des Akkus mit einem harten Gegenstand. Eine solche Handlung kann zu einem Brand, übermäßiger Hitzeentwicklung oder einer Explosion führen.
9. Benutzen Sie keine beschädigten Akkus.
10. Die enthaltenen Lithium-Ionen-Akkus unterliegen den Anforderungen der Gefahrgut-Gesetzgebung.  
Für kommerzielle Transporte, z. B. durch Dritte oder Spediteure, müssen besondere Anforderungen zu Verpackung und Etikettierung beachtet werden.  
Zur Vorbereitung des zu transportierenden Artikels ist eine Beratung durch einen Experten für Gefahrgut erforderlich. Bitte beachten Sie möglicherweise ausführlichere nationale Vorschriften. Überkleben oder verdecken Sie offene Kontakte, und verpacken Sie den Akku so, dass er sich in der Verpackung nicht umher bewegen kann.
11. Entfernen Sie den Akku zum Entsorgen vom Werkzeug, und entsorgen Sie ihn an einem sicheren Ort. Befolgen Sie die örtlichen Vorschriften bezüglich der Entsorgung von Akkus.
12. Verwenden Sie die Akkus nur mit den von Makita angegebenen Produkten. Das Einsetzen der Akkus in nicht konforme Produkte kann zu einem Brand, übermäßiger Hitzebildung, einer Explosion oder Auslaufen von Elektrolyt führen.
13. Soll das Werkzeug längere Zeit nicht benutzt werden, muss der Akku vom Werkzeug entfernt werden.
14. Bei und nach dem Gebrauch kann der Akku heiß werden, was Verbrennungen oder Niedertemperaturverbrennungen verursachen kann. Beachten Sie die Handhabung von heißen Akkus.
15. Berühren Sie nicht den Anschlusskontakt des Werkzeugs unmittelbar nach dem Gebrauch, da er heiß genug werden kann, um Verbrennungen zu verursachen.
16. Achten Sie darauf, dass sich keine Späne, Staub oder Schmutz in den Anschlusskontakten, Löchern und Nuten des Akkus absetzen. Es könnte sonst zu Erhitzung, Brandauslösung, Bersten und Funktionsstörungen des Werkzeugs oder des Akkus kommen, was zu Verbrennungen oder Personenschäden führen kann.
17. Wenn das Werkzeug den Einsatz in der Nähe einer Hochspannungs-Stromleitung nicht unterstützt, benutzen Sie den Akku nicht in der Nähe einer Hochspannungs-Stromleitung. Dies kann zu einer Funktionsstörung oder Betriebsstörung des Werkzeugs oder des Akkus führen.
18. Halten Sie die Batterie von Kindern fern.

## DIESE ANWEISUNGEN AUFBEWAHREN.

**⚠ VORSICHT:** Verwenden Sie nur Original-Makita-Akkus. Die Verwendung von Nicht-Original-Makita-Akkus oder von Akkus, die abgeändert worden sind, kann zum Bersten des Akkus und daraus resultierenden Bränden, Personenschäden und Beschädigung führen. Außerdem wird dadurch die Makita-Garantie für das Makita-Werkzeug und -Ladegerät ungültig.

## Hinweise zur Aufrechterhaltung der maximalen Akku-Nutzungsdauer

1. Laden Sie den Akku, bevor er vollkommen erschöpft ist. Schalten Sie das Werkzeug stets aus, und laden Sie den Akku, wenn Sie ein Nachlassen der Werkzeugleistung feststellen.
2. Unterlassen Sie erneutes Laden eines voll aufgeladenen Akkus. Überladen führt zu einer Verkürzung der Nutzungsdauer des Akkus.
3. Laden Sie den Akku bei Raumtemperatur zwischen 10 – 40 °C. Lassen Sie einen heißen Akku abkühlen, bevor Sie ihn laden.
4. Wenn Sie den Akku nicht benutzen, nehmen Sie ihn vom Werkzeug oder Ladegerät ab.
5. Der Akku muss geladen werden, wenn er lange Zeit (länger als sechs Monate) nicht benutzt wird.



# FUNKTIONSBESCHREIBUNG

**⚠ VORSICHT:** Vergewissern Sie sich vor der Durchführung von Einstellungen oder Funktionsprüfungen des Werkzeugs stets, dass das Werkzeug ausgeschaltet und der Akku abgenommen ist.

## Anbringen und Abnehmen des Akkus

**⚠ VORSICHT:** Schalten Sie das Werkzeug stets aus, bevor Sie den Akku anbringen oder abnehmen.

**⚠ VORSICHT:** Halten Sie das Werkzeug und den Akku beim Anbringen oder Abnehmen des Akkus sicher fest. Wenn Sie das Werkzeug und den Akku nicht sicher festhalten, können sie Ihnen aus der Hand rutschen, was zu einer Beschädigung des Werkzeugs und des Akkus und zu Körperverletzungen führen kann.

► **Abb.1:** 1. Rote Anzeige 2. Knopf 3. Akku

Ziehen Sie den Akku zum Abnehmen vom Werkzeug ab, während Sie den Knopf an der Vorderseite des Akkus verschieben.

Richten Sie zum Anbringen des Akkus dessen Führungsfeder auf die Nut im Gehäuse aus, und schieben Sie den Akku hinein. Schieben Sie ihn vollständig ein, bis er mit einem leisen Klicken einrastet. Wenn Sie die rote Anzeige sehen können, wie in der Abbildung gezeigt, ist der Akku nicht vollständig verriegelt.

**⚠ VORSICHT:** Schieben Sie den Akku stets bis zum Anschlag ein, bis die rote Anzeige nicht mehr sichtbar ist. Andernfalls kann er aus dem Werkzeug herausfallen und Sie oder umstehende Personen verletzen.















**⚠ VORSICHT:** Unterlassen Sie Gewaltanwendung beim Anbringen des Akkus. Falls der Akku nicht reibungslos hineingleitet, ist er nicht richtig ausgerichtet.

## Anzeigen der Akku-Restkapazität

### Nur für Akkus mit Anzeige

Drücken Sie die Prüftaste am Akku, um die Akku-Restkapazität anzuzeigen. Die Anzeigelampen leuchten wenige Sekunden lang auf.

► **Abb.2:** 1. Anzeigelampen 2. Prüftaste

Anzeigelampen			Restkapazität
 Erleuchtet	 Aus	 Blinkend	
			75% bis 100%
			50% bis 75%
			25% bis 50%
			0% bis 25%
			Den Akku aufladen.
			Möglicherweise liegt eine Funktionsstörung im Akku vor.
			

**HINWEIS:** Abhängig von den Benutzungsbedingungen und der Umgebungstemperatur kann die Anzeige geringfügig von der tatsächlichen Kapazität abweichen.

**HINWEIS:** Die erste (äußerste linke) Anzeigelampe blinkt, wenn das Akku-Schutzsystem aktiv ist.

## Werkzeug/Akku-Schutzsystem

**ANMERKUNG:** Abhängig von den Benutzungsbedingungen bleibt das Werkzeug ohne jegliche Anzeige automatisch stehen, falls Zweige oder Fremdkörper sich in dem Werkzeug verheddern. Schalten Sie in diesem Fall das Werkzeug aus, nehmen Sie den Akku ab, und beseitigen Sie dann verhedderte Zweige oder Fremdkörper mithilfe von Werkzeugen, wie z. B. einer Zange. Nachdem Sie die Zweige oder Fremdkörper beseitigt haben, installieren Sie den Akku, und schalten Sie das Werkzeug wieder ein.

Das Werkzeug ist mit einem Werkzeug/Akku-Schutzsystem ausgestattet. Dieses System schaltet die Stromversorgung des Motors automatisch ab, um die Lebensdauer von Werkzeug und Akku zu verlängern. Das Werkzeug bleibt während des Betriebs automatisch stehen, wenn das Werkzeug oder der Akku einer der folgenden Bedingungen unterliegt:

### Überlastschutz

Wird das Werkzeug oder der Akku auf eine Weise benutzt, die eine ungewöhnlich hohe Stromaufnahme bewirkt, bleibt das Werkzeug automatisch stehen. Schalten Sie in dieser Situation das Werkzeug aus, und brechen Sie die Anwendung ab, die eine Überlastung des Werkzeugs verursacht hat. Schalten Sie dann das Werkzeug wieder ein, um neu zu starten.

### Überhitzungsschutz

Wenn das Werkzeug oder der Akku überhitzt wird, bleibt das Werkzeug automatisch stehen. Lassen Sie Werkzeug und Akku in diesem Fall abkühlen, bevor Sie das Werkzeug wieder einschalten.

### Überentladungsschutz

Wenn die Akkukapazität unzureichend wird, bleibt das Werkzeug automatisch stehen. Nehmen Sie in diesem Fall den Akku vom Werkzeug ab, und laden Sie ihn auf.

### Schutz gegen andere Ursachen

Das Schutzsystem ist auch für andere Ursachen ausgelegt, die eine Beschädigung des Werkzeugs bewirken könnten, und ermöglicht automatisches Anhalten des Werkzeugs. Führen Sie alle folgenden Schritte aus, um die Ursachen zu beseitigen, wenn das Werkzeug zu einem vorübergehenden Stillstand oder Betriebsstopp gekommen ist.

1. Schalten Sie das Werkzeug aus und wieder ein, um es neu zu starten.
2. Laden Sie den/die Akku(s) auf, oder tauschen Sie ihn/sie gegen einen aufgeladenen Akku/aufgeladene Akkus aus.
3. Lassen Sie die Maschine und den/die Akku(s) abkühlen.

Falls die Wiederherstellung des Schutzsystems keine Besserung bringt, wenden Sie sich an Ihre lokale Makita-Kundendienststelle.

**ANMERKUNG:** Falls das Werkzeug wegen einer oben nicht beschriebenen Ursache stehen bleibt, nehmen Sie auf den Abschnitt zur Fehlersuche Bezug.



## Schalterfunktion

**⚠️ WARNUNG:** Aus Sicherheitsgründen ist dieses Werkzeug mit einem Schaltbügel ausgestattet, der versehentliches Einschalten des Werkzeugs verhindert. Benutzen Sie das Werkzeug NIEMALS, wenn es durch einfache Betätigung des Auslöseschalters gestartet werden kann, ohne den Schaltbügel zu drücken. Bringen Sie das Werkzeug VOR der weiteren Verwendung zur ordnungsgemäßen Reparatur zu unserem autorisierten Service-Center.

**⚠️ WARNUNG:** Zweck und Funktion des Schaltbügels dürfen NIEMALS mit Klebeband unwirksam gemacht werden.

**⚠️ WARNUNG:** Vergewissern Sie sich vor dem Anbringen des Akkus am Werkzeug stets, dass der Auslöseschalter und der Schaltbügel ordnungsgemäß funktionieren und beim Loslassen in die AUS-Stellung „OFF“ zurückkehren. Der Betrieb eines Werkzeugs mit fehlerhaftem Schalter kann zum Verlust der Kontrolle und zu schweren Personenschäden führen.

**⚠️ VORSICHT:** Legen Sie beim Tragen niemals Ihren Finger auf den Schalter. Anderenfalls kann das Werkzeug unbeabsichtigt anlaufen und Verletzungen verursachen.

Um das Werkzeug zu starten, halten Sie den vorderen Handgriff fest, während Sie den Schaltbügel drücken und den Auslöseschalter betätigen. Um das Werkzeug anzuhalten, lassen Sie entweder den Auslöseschalter oder den Schaltbügel los.

► **Abb.3:** 1. Vorderer Handgriff 2. Schaltbügel  
3. Auslöseschalter

## Anzeigelampe

► **Abb.4:** 1. Anzeigelampe

Die Anzeigelampe blinkt oder leuchtet, wenn der Akku schwach wird oder das Werkzeug überlastet ist. Informationen über den Status und die zu ergreifenden Maßnahmen finden Sie in der folgenden Tabelle.

Anzeigelampe	Status	Zu ergreifende Maßnahme
Die Lampe blinkt in Rot.	Die Akku-Restkapazität ist niedrig.	Laden Sie den Akku auf, oder ersetzen Sie ihn durch einen voll aufgeladenen.
Die Lampe leuchtet in Rot auf.	Die Akku-Restkapazität ist aufgebraucht.	Laden Sie den Akku auf, oder ersetzen Sie ihn durch einen voll aufgeladenen.
	Das Werkzeug ist wegen Überlastung stehen geblieben.	Schalten Sie das Werkzeug aus, und beseitigen Sie die Ursache der Überlastung.
	Das Werkzeug ist wegen Überhitzung stehen geblieben.	Schalten Sie das Werkzeug aus, und lassen Sie Werkzeug und Akku abkühlen.

**HINWEIS:** Der Zeitpunkt, zu dem die Anzeigelampe blinkt oder aufleuchtet, hängt von der Temperatur am Arbeitsplatz und dem Zustand des Akkus ab.

## Elektronikfunktion

Das Werkzeug ist für komfortablen Betrieb mit Elektronikfunktionen ausgestattet.

- Konstantdrehzahlregelung  
Die Drehzahlregelung liefert eine konstante Drehzahl ungeachtet der Lastbedingungen.
- Elektrische Bremse  
Dieses Werkzeug ist mit einer elektrischen Bremse ausgestattet. Falls das Werkzeug ständig versagt, die Schermesser nach dem Loslassen des Auslöseschalters schnell anzuhalten, lassen Sie das Werkzeug von einem autorisierten Makita-Servicecenter warten.
- Funktion zur Verhütung eines versehentlichen Wiederauflaufs  
Das Werkzeug startet nicht, selbst wenn Sie den Akku bei betätigtem Auslöseschalter einsetzen. Zum Starten des Werkzeugs lassen Sie den Auslöseschalter zunächst los, bevor Sie ihn betätigen.

## MONTAGE

**⚠️ VORSICHT:** Vergewissern Sie sich vor der Ausführung von Arbeiten am Werkzeug stets, dass das Werkzeug ausgeschaltet und der Akku abgenommen ist.

**⚠️ VORSICHT:** Tragen Sie beim Austauschen der Schermesser immer Handschuhe, damit Ihre Hände nicht in direkten Kontakt mit den Messern kommen.

**ANMERKUNG:** Wischen Sie beim Auswechseln der Schermesser kein Schmierfett von Zahnrad und Kurbel ab.

## Montieren oder Demontieren der Schermesser

**⚠️ VORSICHT:** Bringen Sie die Messerabdeckung an, bevor Sie die Schermesser demontieren oder montieren.

Sie können Schermesser von 500 mm oder 600 mm an Ihrem Werkzeug montieren.

1. Bringen Sie die Messerabdeckung an den Schermessern an.

► **Abb.5:** 1. Messerabdeckung

2. Legen Sie das Werkzeug auf den Kopf, entfernen Sie die 6 Schrauben und nehmen Sie dann die Abdeckung und die Platte ab.

► **Abb.6:** 1. Schraube 2. Abdeckung 3. Platte

**HINWEIS:** Die Platte kann auf der Abdeckung verbleiben.

3. Drehen Sie die Kurbel mit dem Schlitzschraubendreher so, dass 2 Löcher senkrecht zu den Schermessern stehen.

► **Abb.7:** 1. Kurbel 2. Loch

4. Entfernen Sie 2 Schrauben, das Filzkissen und die Hülsen, und nehmen Sie dann die Schermesser ab.

► **Abb.8:** 1. Filzkissen 2. Schraube 3. Hülse  
4. Schermesser

5. Entfernen Sie die Messerabdeckung, und befestigen Sie sie dann an den neuen Schermessern.

► **Abb.9:** 1. Messerabdeckung

6. Richten Sie die Hinterkanten der Schermesser so aus, wie in der Abbildung gezeigt.

► **Abb.10:** 1. Hinterkante

7. Verschieben Sie die Schermesser leicht, wie in der Abbildung gezeigt, und bringen Sie dann die Hülsen an den Schermessern an.

► **Abb.11:** 1. Hülse

8. Schieben Sie die Messerabdeckung leicht in Richtung der Spitze der Schermesser, und befestigen Sie dann die Schermesser am Werkzeug.

► **Abb.12:** 1. Schermesser

**ANMERKUNG:** Tragen Sie ein wenig Schmierfett auf den Innenrand des Lochs der Schermesser auf.

**ANMERKUNG:** Achten Sie darauf, dass die Hülsen nicht verloren gehen.

9. Verschieben Sie die Schermesser und Hülsen so, dass die Löcher an den Hülsen auf die Löcher des Werkzeugs ausgerichtet sind.

► **Abb.13:** 1. Loch am Werkzeug 2. Loch an Hülse

10. Ziehen Sie die Schrauben an, um die Schermesser zu befestigen.

► **Abb.14:** 1. Schraube

11. Bringen Sie das Filzkissen an den Schermessern an.

► **Abb.15:** 1. Filzkissen

12. Bringen Sie die Platte an.

► **Abb.16:** 1. Platte

13. Bringen Sie die Abdeckung an, und ziehen Sie dann 6 Schrauben fest.

► **Abb.17:** 1. Schraube 2. Abdeckung

**ANMERKUNG:** Falls die Schermesser sich nicht reibungslos bewegen, stehen die Schermesser nicht richtig mit der Kurbel in Eingriff. Montieren Sie die Schermesser erneut.

**ANMERKUNG:** Falls andere Teile außer den Schermessern, wie z. B. die Kurbel, verschlissen sind, wenden Sie sich für einen Teileaustausch oder Reparaturen an ein autorisiertes Makita-Servicecenter.

## Montieren und Demontieren des Spänefängers

### Sonderzubehör

**⚠ VORSICHT:** Tragen Sie beim Montieren oder Demontieren des Spänefängers immer Handschuhe, damit Ihre Hände nicht in direkten Kontakt mit den Schermessern kommen.

**ANMERKUNG:** Die Messerabdeckung kann nicht montiert werden, wenn der Spänefänger am Werkzeug montiert ist. Demontieren Sie den Spänefänger vor dem Tragen oder Lagern des Werkzeugs, und montieren Sie dann die Messerabdeckung, um Ausgesetztsein der Messer zu vermeiden.

**ANMERKUNG:** Entfernen Sie unbedingt die Messerabdeckung, bevor Sie den Spänefänger montieren.

Der Spänefänger sammelt ausgeworfene Blätter auf und erleichtert die Reinigung nach der Arbeit erheblich. Er kann auf beiden Seiten des Werkzeugs angebracht werden.

1. Richten Sie die Löcher im Spänefänger auf die Schrauben an den Schermessern aus.

► **Abb.18:** 1. Schraube

2. Haken Sie die Klauen des Spänefängers in die Nut an den Schermessern ein.

► **Abb.19:** 1. Klaue 2. Nut

3. Drücken Sie die Hebel am Spänefänger, und haken Sie dann die Klauen auf der anderen Seite in die Nut der Schermesser ein.

► **Abb.20:** 1. Hebel

Zum Demontieren des Spänefängers drücken Sie die Hebel, um die Klauen zu lösen.

► **Abb.21:** 1. Hebel

**ANMERKUNG:** Versuchen Sie niemals, den Spänefänger gewaltsam zu entfernen, solange die Haken in den Schermessern eingerastet sind.

## BETRIEB

**⚠️ WARNUNG:** Halten Sie Ihre Hände von den Schermessern fern.

**⚠️ VORSICHT:** Vermeiden Sie den Betrieb des Werkzeugs bei sehr heißem Wetter so weit wie praktikabel. Nehmen Sie beim Betreiben des Werkzeugs Rücksicht auf Ihre körperliche Verfassung.

**⚠️ VORSICHT:** Lassen Sie beim Trimmen Vorsicht walten, damit die Messer nicht versehentlich einen Metallzaun oder andere harte Gegenstände berühren. Anderenfalls können die Schermesser brechen und eine Verletzung verursachen.

**⚠️ VORSICHT:** Achten Sie darauf, dass die Schermesser nicht den Boden berühren. Anderenfalls kann das Werkzeug zurückschnellen und eine Verletzung verursachen.

**⚠️ VORSICHT:** Strecken Sie sich beim Schneiden mit einer Heckenschere, besonders auf einer Leiter, nicht zu weit nach vorn, da dies äußerst gefährlich ist. Schneiden Sie nicht, während Sie auf einer wackligen oder instabilen Unterlage stehen.

**ANMERKUNG:** Versuchen Sie nicht, Äste von mehr als 10 mm Durchmesser mit dem Werkzeug zu schneiden. Schneiden Sie Äste vor Gebrauch dieses Werkzeugs mit Astschneidern auf 10 cm unter der Schnitthöhe.

► **Abb.22:** (1) Schnitthöhe (2) 10 cm

**ANMERKUNG:** Schneiden Sie keine toten Bäume oder ähnliche harte Objekte um. Dadurch kann das Werkzeug beschädigt werden.

**ANMERKUNG:** Schneiden Sie kein Gras oder Unkraut, während Sie die Schermesser benutzen. Gras oder Unkraut können sich in den Schermessern verhedern.

Halten Sie das Werkzeug mit beiden Händen, halten Sie den vorderen Handgriff fest, während Sie den Schaltbügel drücken und den Auslöseschalter betätigen, und bewegen Sie dann das Werkzeug vorwärts.  
► **Abb.23**

Bei grundlegendem Betrieb neigen Sie die Schermesser in die Schneidrichtung, und bewegen Sie das Werkzeug ruhig und langsam mit einer Vorschubrate von 3 bis 4 Sekunden pro Meter vor.  
► **Abb.24**

Um die Oberseite einer Hecke gerade zu schneiden, binden Sie eine Schnur in der gewünschten Höhe fest, und schneiden Sie daran entlang.  
► **Abb.25**

Durch Anbringen des Spänefängers an den Schermessern werden ausgeworfene Blätter aufgesammelt, und die Reinigung nach der Arbeit wird erheblich erleichtert.  
► **Abb.26**

Um eine gerade Seitenkante einer Hecke zu erhalten, schneiden Sie von unten nach oben.  
► **Abb.27**

Wenn Sie eine runde Form schneiden wollen (Trimmen von Buchsbaum oder Rhododendron usw.), trimmen Sie von der Wurzel nach oben, um eine schöne Ausführung zu erhalten.  
► **Abb.28**

## WARTUNG

**⚠️ VORSICHT:** Vergewissern Sie sich vor der Durchführung von Inspektions- oder Wartungsarbeiten stets, dass das Werkzeug ausgeschaltet und der Akku abgenommen ist.

Um die SICHERHEIT und ZUVERLÄSSIGKEIT dieses Produkts zu gewährleisten, sollten Reparaturen und andere Wartungs- oder Einstellarbeiten nur von Makita-Vertragswerkstätten oder Makita-Kundendienstzentren unter ausschließlicher Verwendung von Makita-Originalersatzteilen ausgeführt werden.

### Reinigen des Werkzeugs

Reinigen Sie das Werkzeug, indem Sie es mit einem trockenen oder einem in Seifenwasser getauchten und ausgewringenen Tuch abwischen.

**ANMERKUNG:** Verwenden Sie auf keinen Fall Benzin, Waschbenzin, Verdünnern, Alkohol oder dergleichen. Solche Mittel können Verfärbung, Verformung oder Rissbildung verursachen.

### Schermesserwartung

Tragen Sie vor dem Betrieb oder einmal pro Stunde während der Arbeit Öl von niedriger Viskosität (Maschinenöl oder Sprühschmieröl) auf die Schermesser auf.

► **Abb.29**

Entfernen Sie nach dem Betrieb Staub von beiden Seiten der Schermesser mit einer Drahtbürste, wischen Sie die Schermesser mit einem Tuch ab, und tragen Sie dann Öl von niedriger Viskosität (Maschinenöl oder Sprühschmieröl) auf die Schermesser auf.  
► **Abb.30**

**ANMERKUNG:** Waschen Sie die Schermesser nicht in Wasser. Dadurch kann Rostbildung gefördert oder eine Beschädigung des Werkzeugs verursacht werden.

**ANMERKUNG:** Schmutz und Korrosion verursachen übermäßige Messerreibung und verkürzen die Betriebszeit pro Akkuladung.

### Lagerung

Das Aufhängerloch im Unterteil des Werkzeugs ist praktisch, um das Werkzeug an einen Nagel oder eine Schraube an der Wand zu hängen. Bringen Sie die Messerabdeckung an den Schermessern an, damit die Messer nicht ungeschützt sind. Lagern Sie das Werkzeug außer Reichweite von Kindern. Lagern Sie das Werkzeug an einem Ort, der weder Feuchtigkeit noch Regen ausgesetzt ist.  
► **Abb.31:** 1. Loch

## Schleifen der Schermesser

**ANMERKUNG:** Falls die Schermesser durch Schleifen beträchtlich verformt sind, ersetzen Sie die Schermesser durch neue.

1. Bringen Sie den Akku am Werkzeug an.
2. Schalten Sie das Werkzeug ein, und starten Sie es, so dass jeweils ein Obermesser und ein Untermesser abwechselnd positioniert sind.  
▶ **Abb.32**
3. Schalten Sie das Werkzeug aus, und nehmen Sie den Akku vom Werkzeug ab.
4. Setzen Sie eine Feile in einem Winkel von 35° an, und schleifen Sie das Obermesser aus 2 Richtungen mit der Feile.  
▶ **Abb.33:** (1) Feile (2) 35°

**⚠ VORSICHT:** Bevor Sie die Schermesser schleifen, vergewissern Sie sich, dass das Werkzeug ausgeschaltet und der Akku vom Werkzeug abgenommen ist.

5. Legen Sie das Werkzeug umgedreht ab, und entfernen Sie dann die Grate mit dem Abziehstein von den Schermessern.  
▶ **Abb.34:** 1. Abziehstein
6. Setzen Sie die Feile in einem Winkel von 35° an, und schleifen Sie das Untermesser aus 2 Richtungen mit der Feile.
7. Bringen Sie das Werkzeug wieder in die Normalposition, und entfernen Sie dann die Grate mit dem Abziehstein von den Schermessern.

## Fettschmierung

**Schmierintervall:** Alle 50 Betriebsstunden

1. Entfernen Sie die Schraube zum Schmieren aus der Bohrung.  
▶ **Abb.35:** 1. Schraube
2. Entfernen Sie die Kappe von der Fetttube. Richten Sie den Auslass der Fetttube auf das Loch in der Abdeckung aus, und drehen Sie dann die Fetttube, um den Auslass der Fetttube in das Loch zu stecken.  
▶ **Abb.36:** 1. Fetttube 2. Loch
3. Füllen Sie das Fett in das Werkzeug ein (ca. 3 g als Richtlinie).
4. Entfernen Sie die Fetttube.
5. Ziehen Sie die Schraube an.

## FEHLERSUCHE

Bevor Sie den Reparaturdienst anrufen, führen Sie zunächst Ihre eigene Inspektion durch. Falls Sie ein Problem finden, das nicht in der Anleitung erläutert wird, versuchen Sie nicht, das Werkzeug zu zerlegen. Wenden Sie sich stattdessen an autorisierte Makita-Kundendienstzentren, und achten Sie darauf, dass stets Makita-Ersatzteile für Reparaturen verwendet werden.

Zustand der Unregelmäßigkeit	Wahrscheinliche Ursache (Funktionsstörung)	Abhilfemaßnahme
Der Motor läuft nicht.	Der Akku ist nicht eingesetzt.	Den Akku einsetzen.
	Akkustörung (Unterspannung)	Den Akku aufladen. Falls Laden nichts nützt, den Akku austauschen.
	Das Antriebssystem funktioniert nicht korrekt.	Wenden Sie sich bezüglich einer Reparatur an Ihr autorisiertes Kundendienstzentrum.
Der Motor bleibt nach kurzer Zeit stehen.	Der Ladezustand des Akkus ist niedrig.	Den Akku aufladen. Falls Laden nichts nützt, den Akku austauschen.
	Überhitzung.	Brechen Sie die Benutzung des Werkzeugs ab, um es abkühlen zu lassen.
Das Werkzeug erreicht die Maximaldrehzahl nicht.	Der Akku ist falsch eingesetzt.	Setzen Sie den Akku gemäß der Beschreibung in dieser Anleitung ein.
	Die Akkuleistung lässt nach.	Den Akku aufladen. Falls Laden nichts nützt, den Akku austauschen.
	Das Antriebssystem funktioniert nicht korrekt.	Wenden Sie sich bezüglich einer Reparatur an Ihr autorisiertes Kundendienstzentrum.
Die Schermesser bewegen sich nicht: ⇒ Die Maschine unverzüglich stoppen!	Fremdkörper sind zwischen den Schermessern eingeklemmt.	Schalten Sie das Werkzeug aus, nehmen Sie den Akku ab, und beseitigen Sie dann die Fremdkörper mithilfe von Werkzeugen, wie z. B. einer Zange.
	Das Antriebssystem funktioniert nicht korrekt.	Wenden Sie sich bezüglich einer Reparatur an Ihr autorisiertes Kundendienstzentrum.
Ungewöhnliche Vibration: ⇒ Die Maschine unverzüglich stoppen!	Die Schermesser sind beschädigt, verbogen oder abgenutzt.	Tauschen Sie die Schermesser aus.
	Das Antriebssystem funktioniert nicht korrekt.	Wenden Sie sich bezüglich einer Reparatur an Ihr autorisiertes Kundendienstzentrum.
Schermesser und Motor bleiben nicht stehen: ⇒ Den Akku unverzüglich entfernen!	Elektrische Funktionsstörung.	Entfernen Sie den Akku, und wenden Sie sich bezüglich einer Reparatur an Ihr autorisiertes Kundendienstzentrum.

# SONDERZUBEHÖR

**⚠ VORSICHT:** Die folgenden Zubehörteile oder Vorrichtungen werden für den Einsatz mit dem in dieser Anleitung beschriebenen Makita-Werkzeug empfohlen. Die Verwendung anderer Zubehörteile oder Vorrichtungen kann eine Verletzungsgefahr darstellen. Verwenden Sie Zubehörteile oder Vorrichtungen nur für ihren vorgesehenen Zweck.

Wenn Sie weitere Einzelheiten bezüglich dieser Zubehörteile benötigen, wenden Sie sich bitte an Ihre Makita-Kundendienststelle.

- Schermessereinheit
- Schermesserabdeckung
- Spänefänger
- Fetttube
- Original-Makita-Akku und -Ladegerät

**HINWEIS:** Manche Teile in der Liste können als Standardzubehör im Werkzeugsatz enthalten sein. Sie können von Land zu Land unterschiedlich sein.

## DATI TECNICI

Modello:		DUH506	DUH606
Lunghezza della lama		500 mm	600 mm
Colpi al minuto		4.000 min <sup>-1</sup>	
Lunghezza complessiva (Batteria esclusa)		846 mm	965 mm
Tensione nominale		18 V CC	
Peso netto	*1	2,2 kg	2,3 kg
	*2	Da 2,5 a 2,9 kg	Da 2,7 a 3,0 kg

- A causa del nostro programma continuativo di ricerca e sviluppo, i dati tecnici sono soggetti a modifiche senza preavviso.
- I dati tecnici possono variare da nazione a nazione.

\*1: Peso senza accessori, cartuccia o cartucce delle batterie

\*2: il peso può variare a seconda dell'accessorio o degli accessori, inclusa la cartuccia della batteria. La combinazione più leggera e quella più pesante, in base alla Procedura EPTA 01/2014, sono indicate nella tabella.

## Cartuccia della batteria e caricabatterie applicabili

Cartuccia della batteria	BL1815N / BL1820B / BL1830B / BL1840B / BL1850B / BL1860B
Caricabatterie	DC18RC / DC18RD / DC18RE / DC18SD / DC18SE / DC18SF / DC18SH / DC18WC

- Alcune cartucce delle batterie e alcuni caricabatterie elencati sopra potrebbero non essere disponibili a seconda della propria area geografica di residenza.

**⚠AVVERTIMENTO:** Utilizzare solo le cartucce delle batterie e i caricabatterie elencati sopra. L'utilizzo di altre cartucce delle batterie e di altri caricabatterie potrebbe causare lesioni personali e/o un incendio.







## Fonte di alimentazione collegata via cavo consigliata

Gruppo di alimentazione portatile	PDC01
-----------------------------------	-------

- La fonte o le fonti di alimentazione collegate via cavo elencate sopra potrebbero non essere disponibili, a seconda della propria area geografica di residenza.
- Prima di utilizzare la fonte di alimentazione collegata via cavo, leggere le istruzioni e le indicazioni delle avvertenze riportate su quest'ultima.

## Simboli

Le figure seguenti mostrano i simboli utilizzati per l'apparecchio. Accertarsi di comprenderne il significato prima dell'uso.

	Leggere il manuale d'uso.
	Indossare una protezione per gli occhi.
	PERICOLO: tenere le mani lontane dalla lama.
	Non esporre all'umidità.
	Indossare protezioni per gli occhi e le orecchie.
	Non esporre alla pioggia.



Ni-MH  
Li-ion

Solo per le nazioni dell'EU

A causa della presenza di componenti pericolosi nelle apparecchiature, i rifiuti di apparecchiature elettriche ed elettroniche, accumulatori e batterie potrebbero produrre un impatto negativo sull'ambiente e sulla salute umana.

Non smaltire elettrodomestici elettrici ed elettronici o batterie insieme ai rifiuti domestici!

In conformità alla direttiva europea sui rifiuti di apparecchiature elettriche ed elettroniche (RAEE), sugli accumulatori e le batterie, nonché sui rifiuti di accumulatori e batterie, e al suo adattamento alle normative nazionali, i rifiuti di apparecchiature elettriche ed elettroniche, batterie e accumulatori vanno conservati separatamente e conferiti a un punto di raccolta separato per i rifiuti comunali, operando in conformità alle normative per la protezione dell'ambiente.

Tale requisito viene indicato mediante il simbolo del bidone della spazzatura con ruote barrato apposto sull'apparecchio.



Livello di potenza sonora garantita in base alla Direttiva rumore macchine all'aperto UE.



Livello di potenza sonora in base alla normativa sul controllo del rumore NSW australiana

## Utilizzo previsto

L'utensile è destinato alla rifilatura delle siepi.

## Rumore

Livello tipico di rumore pesato A determinato in base allo standard EN62841-4-2:

Modello	Livello di pressione sonora		Livello di potenza sonora garantito	Livello di potenza sonora misurato	
	L <sub>PA</sub> (dB(A))	Incertezza K (dB(A))	L <sub>WA</sub> (dB(A))	L <sub>WA</sub> (dB(A))	Incertezza K (dB(A))
DUH506	80	3	90	88	1,8
DUH606	82	3	92	90	1,9

**NOTA:** Il valore o i valori dichiarati delle emissioni di rumori sono stati misurati in conformità a un metodo standard di verifica, e possono essere utilizzati per confrontare un utensile con un altro.

**NOTA:** Il valore o i valori dichiarati delle emissioni di rumori possono venire utilizzati anche per una valutazione preliminare dell'esposizione.

**AVVERTIMENTO:** Indossare protezioni per le orecchie.

**AVVERTIMENTO:** L'emissione di rumori durante l'utilizzo effettivo dell'utensile elettrico può variare rispetto al valore o ai valori dichiarati, a seconda dei modi in cui viene utilizzato l'utensile e specialmente a seconda di che tipo di pezzo venga lavorato.

**AVVERTIMENTO:** Accertarsi di identificare misure di sicurezza per la protezione dell'operatore che siano basate su una stima dell'esposizione nelle condizioni effettive di utilizzo (tenendo conto di tutte le parti del ciclo operativo, ad esempio del numero di spegnimenti dell'utensile e di quando giri a vuoto, oltre al tempo di attivazione).

## Vibrazioni

Valore totale delle vibrazioni (somma vettoriale triassiale) determinato in base allo standard EN62841-4-2:

Modello	Maniglia anteriore		Maniglia posteriore	
	ah (m/s <sup>2</sup> )	Incertezza K (m/s <sup>2</sup> )	ah (m/s <sup>2</sup> )	Incertezza K (m/s <sup>2</sup> )
DUH506	2,5 m/s <sup>2</sup> o inferiore	1,5	2,5 m/s <sup>2</sup> o inferiore	1,5
DUH606	2,5 m/s <sup>2</sup> o inferiore	1,5	2,5 m/s <sup>2</sup> o inferiore	1,5

**NOTA:** Il valore o i valori complessivi delle vibrazioni dichiarati sono stati misurati in conformità a un metodo standard di verifica, e possono essere utilizzati per confrontare un utensile con un altro.

**NOTA:** Il valore o i valori complessivi delle vibrazioni dichiarati possono venire utilizzati anche per una valutazione preliminare dell'esposizione.

**AVVERTIMENTO:** L'emissione delle vibrazioni durante l'utilizzo effettivo dell'utensile elettrico può variare rispetto al valore o ai valori dichiarati, a seconda dei modi in cui viene utilizzato l'utensile, specialmente a seconda di che tipo di pezzo venga lavorato.

**AVVERTIMENTO:** Accertarsi di identificare misure di sicurezza per la protezione dell'operatore che siano basate su una stima dell'esposizione nelle condizioni effettive di utilizzo (tenendo conto di tutte le parti del ciclo operativo, ad esempio del numero di spegnimenti dell'utensile e di quando giri a vuoto, oltre al tempo di attivazione).

## Dichiarazioni di conformità

*Solo per i paesi europei*

Le Dichiarazioni di conformità sono incluse nell'Allegato A al presente manuale d'uso.

# AVVERTENZE DI SICUREZZA

## Avvertenze generali relative alla sicurezza dell'utensile elettrico

**⚠️ AVVERTIMENTO** Leggere tutte le avvertenze di sicurezza, le istruzioni, le illustrazioni e i dati tecnici forniti insieme a questo utensile elettrico. La mancata osservanza di tutte le istruzioni seguenti potrebbe risultare in scosse elettriche, incendi e/o gravi lesioni personali.

## Conservare tutte le avvertenze e le istruzioni come riferimento futuro.

Il termine "utensile elettrico" nelle avvertenze si riferisce sia all'utensile elettrico (cablato) nel funzionamento alimentato da rete elettrica che all'utensile elettrico (a batteria) nel funzionamento alimentato a batteria.

## Avvertenze di sicurezza relative al tagliaseipi a batteria

- Evitare di utilizzare il tagliaseipi in condizioni meteorologiche avverse, specialmente quando sussiste il rischio di fulmini.** In tal modo si riduce il rischio di venire colpiti da un fulmine.
- Tenere tutti i cavi elettrici e di altro genere lontani dall'area di taglio.** Nelle siepi o nei cespugli potrebbero essere nascosti cavi elettrici o di altro genere, che potrebbero venire tagliati accidentalmente dalla lama.
- Indossare protezioni per le orecchie.** Un'attrezzatura di protezione adeguata riduce il rischio di perdite dell'udito.
- Mantenere il tagliaseipi solo mediante le superfici di impugnatura isolate, poiché la lama potrebbe entrare in contatto con cablaggi nascosti.** Qualora le lame entrino in contatto con un filo elettrico sotto tensione, potrebbero mettere sotto tensione le parti metalliche esposte del tagliaseipi e dare una scossa elettrica all'operatore.
- Tenere tutte le parti del corpo lontane dalla lama. Non rimuovere il materiale tagliato né tenere in mano il materiale da tagliare quando le lame sono in movimento.** Le lame continuano a muoversi dopo la disattivazione dell'interruttore. Un momento di disattenzione durante il funzionamento del tagliaseipi potrebbe risultare in gravi lesioni personali.
- Quando si intende rimuovere materiale inceppato o sottoporre a interventi di assistenza il tagliaseipi, accertarsi che tutti gli interruttori di accensione siano disattivati e che la cartuccia della batteria sia stata rimossa o scollegata.** L'azionamento imprevisto del tagliaseipi durante la rimozione di materiale inceppato o l'esecuzione di interventi di assistenza potrebbe risultare in gravi lesioni personali.
- Trasportare il tagliaseipi tenendolo per il manico con la lama arrestata e facendo attenzione a non azionare alcun interruttore di accensione.** Se si trasporta correttamente il tagliaseipi, si riduce la possibilità di avvii accidentali e delle conseguenti lesioni personali dovute alle lame.

- Quando si intende trasportare o riporre il tagliaseipi, utilizzare sempre il coprilama.** Se si maneggia correttamente il tagliaseipi, si riduce il rischio di lesioni personali dovute alle lame.

## Avvertenze aggiuntive per la sicurezza

### Preparazione

- Prima di utilizzare l'utensile, verificare l'eventuale presenza di corpi estranei nelle siepi e nei cespugli, ad esempio recinzioni in fil di ferro o cablaggi nascosti.**
- L'utensile non deve essere utilizzato da bambini o giovani al di sotto dei 18 anni di età.** I giovani di età superiore ai 16 anni possono venire esentati da questa restrizione se stanno seguendo un addestramento sotto la supervisione di un esperto.
- Chi utilizza il prodotto per la prima volta dovrebbe farsi mostrare da un utente esperto come utilizzare l'utensile.**
- Utilizzare l'utensile solo se si è in buone condizioni fisiche.** In condizioni di stanchezza, il livello di attenzione si riduce. Fare particolarmente attenzione alla fine di una giornata di lavoro. Effettuare tutti i lavori con calma e con attenzione. L'utente è responsabile per qualsiasi danno arrecato a terzi.
- Non utilizzare mai l'utensile se si è sotto l'effetto di alcol, droghe o farmaci.**
- I guanti da lavoro in pelle robusta fanno parte dell'equipaggiamento di base dell'utensile, e devono essere sempre indossati quando si lavora con quest'ultimo. Indossare anche scarpe robuste con soles antiscivolo.**
- Prima di iniziare il lavoro, accertarsi che l'utensile sia in condizioni operative ottimali e sicure. Accertarsi che le protezioni siano applicate correttamente.** L'utensile non va utilizzato se non è stato montato completamente.
- Quando si intende passare il tagliaseipi a un'altra persona, innanzitutto appoggiare il tagliaseipi a terra, quindi far sollevare il tagliaseipi dopo aver rimosso completamente la propria mano.** Qualora si passi il tagliaseipi da una mano all'altra, verrebbero afferrate sia la maniglia anteriore che quella posteriore contemporaneamente, con la possibilità che il tagliaseipi si avvii accidentalmente. L'avvio accidentale potrebbe causare gravi lesioni personali.

### Funzionamento

- Mantenere saldamente l'utensile con entrambe le mani, quando lo si utilizza.**
- L'utensile è destinato a essere utilizzato dall'operatore al livello del suolo. Non utilizzare l'utensile su scale a pioli o altri supporti instabili di alcun genere.**
- PERICOLO - Tenere le mani lontane dalla lama.** Il contatto con la lama causa gravi lesioni personali.
- Non utilizzare l'utensile sotto la pioggia o in condizioni di bagnato o di estrema umidità.** Il motore elettrico non è impermeabile.
- Accertarsi di avere un equilibrio saldo sui piedi, prima di iniziare l'operazione.**
- Non far funzionare l'utensile a vuoto inutilmente.**



7. Qualora la lama a cesoie entri in contatto con una recinzione o un altro oggetto duro, spegnere immediatamente l'utensile e rimuovere la cartuccia della batteria. Controllare le lame alla ricerca di eventuali danni e sostituirle immediatamente, qualora siano danneggiate.
8. Prima di controllare le lame a cesoie, riparare guasti o rimuovere materiale incastrato nelle lame a cesoie, spegnere sempre l'utensile e rimuovere la cartuccia della batteria.
9. Non puntare mai le lame a cesoie verso se stessi o altri.
10. Qualora le lame smettano di muoversi a causa di corpi estranei incastrati tra le lame durante l'uso, spegnere l'utensile e rimuovere la cartuccia della batteria, quindi rimuovere i corpi estranei utilizzando degli utensili, ad esempio delle pinze. La rimozione dei corpi estranei con le mani potrebbe causare lesioni personali, in quanto le lame potrebbero muoversi in risposta alla rimozione dei corpi estranei.

### Sicurezza elettrica e della batteria

1. Evitare gli ambienti pericolosi. Non utilizzare l'utensile in luoghi umidi o bagnati né esporlo alla pioggia. La penetrazione di acqua nell'utensile incrementa il rischio di scosse elettriche.
2. Non smaltire le batterie nel fuoco. La cella potrebbe esplodere. Controllare le normative locali per eventuali istruzioni speciali relative allo smaltimento.
3. Non aprire né fare a pezzi le batterie. L'elettrolita rilasciato è corrosivo, e potrebbe causare danni agli occhi o alla pelle. Inoltre, potrebbe essere tossico, se inghiottito.
4. Non caricare la batteria sotto la pioggia o in condizioni di bagnato.
5. Non caricare la batteria all'aperto.
6. Non maneggiare con le mani bagnate il carica-batterie, inclusa la spina del caricabatterie e i terminali di quest'ultimo.

### Manutenzione e conservazione

1. Spegnere l'utensile e rimuovere la cartuccia della batteria prima di effettuare qualsiasi lavoro di manutenzione.
2. Quando si intende spostare l'utensile in un'altra ubicazione, anche durante il lavoro, rimuovere sempre la cartuccia della batteria e applicare il coprilama sulle lame a cesoie. Non portare né trasportare mai l'utensile con le lame in funzione. Non afferrare mai le lame con le mani.
3. Pulire l'utensile e particolarmente le lame a cesoie dopo l'uso, e prima di riporre l'utensile per periodi di tempo prolungati. Oliare leggermente le lame e applicare il coprilama.
4. Riporre l'utensile con il coprilama applicato, in una stanza asciutta. Tenerlo fuori dalla portata dei bambini. Non riporre mai l'utensile all'aperto.
5. Non smaltire le batterie nel fuoco. La cella potrebbe esplodere. Controllare le normative locali per eventuali istruzioni speciali relative allo smaltimento.

6. Non aprire né fare a pezzi le batterie. L'elettrolita rilasciato è corrosivo, e potrebbe causare danni agli occhi o alla pelle. Inoltre, potrebbe essere tossico, se inghiottito.

## CONSERVARE LE PRESENTI ISTRUZIONI.

**⚠AVVERTIMENTO:** NON lasciare che la comodità o la familiarità d'uso con il prodotto (acquisita con l'uso ripetuto) sostituiscano la stretta osservanza delle norme di sicurezza. L'USO IMPROPRIO o la mancata osservanza delle norme di sicurezza riportate nel presente manuale manuale di istruzioni potrebbero causare lesioni personali gravi.

### Istruzioni di sicurezza importanti per la cartuccia della batteria

1. Prima di utilizzare la cartuccia della batteria, leggere tutte le istruzioni e le avvertenze riportate (1) sul caricabatteria, (2) sulla batteria e (3) sul prodotto che utilizza la batteria.
2. Non smantellare né manomettere la cartuccia della batteria. In caso contrario, si potrebbe causare un incendio, calore eccessivo o un'esplosione.
3. Qualora il tempo di utilizzo si riduca eccessivamente, interrompere immediatamente l'utilizzo dell'utensile. In caso contrario, si può incorrere nel rischio di surriscaldamento, possibili ustioni e persino un'esplosione.
4. Qualora l'elettrolita entri in contatto con gli occhi, sciacquarli con acqua pulita e richiedere immediatamente assistenza medica. Questa eventualità può risultare nella perdita della vista.
5. Non cortocircuitare la cartuccia della batteria:
  - (1) Non toccare i terminali con alcun materiale conduttivo.
  - (2) Evitare di conservare la cartuccia della batteria in un contenitore insieme ad altri oggetti metallici quali chiodi, monete, e così via.
  - (3) Non esporre la cartuccia della batteria all'acqua o alla pioggia.
 Un cortocircuito della batteria può causare un grande flusso di corrente, un surriscaldamento, possibili ustioni e persino un guasto.
6. Non conservare e utilizzare l'utensile e la cartuccia della batteria in ubicazioni in cui la temperatura possa raggiungere o superare i 50°C.
7. Non incenerire la cartuccia della batteria anche qualora sia gravemente danneggiata o completamente esaurita. La cartuccia della batteria può esplodere se a contatto con il fuoco.
8. Non inchiodare, tagliare, schiacciare, lanciare o far cadere la cartuccia della batteria, né farla urtare con forza contro un oggetto duro. Questi comportamenti potrebbero risultare in un incendio, calore eccessivo o un'esplosione.

9. **Non utilizzare una batteria danneggiata.**
10. **Le batterie a ioni di litio contenute sono soggette ai requisiti del regolamento sul trasporto di merci pericolose (Dangerous Goods Legislation).**  
Per trasporti commerciali, ad esempio da parte di terzi o spedizionieri, è necessario osservare dei requisiti speciali sull'imballaggio e sull'etichetta. Per la preparazione dell'articolo da spedire, è richiesta la consulenza di un esperto in materiali pericolosi. Attenersi anche alle normative nazionali, che potrebbero essere più dettagliate. Nasstrare o coprire i contatti aperti e imballare la batteria in modo tale che non si possa muovere liberamente all'interno dell'imballaggio.
11. **Quando si intende smaltire la cartuccia della batteria, rimuoverla dall'utensile e smaltirla in un luogo sicuro. Attenersi alle normative locali relative allo smaltimento della batteria.**
12. **Utilizzare le batterie esclusivamente con i prodotti specificati da Makita.** L'installazione delle batterie in prodotti non compatibili potrebbe risultare in incendi, calore eccessivo, esplosioni o perdite di liquido elettrolitico.
13. **Se l'utensile non viene utilizzato per un periodo di tempo prolungato, la batteria deve essere rimossa dall'utensile.**
14. **Durante e dopo l'uso, la cartuccia della batteria potrebbe assorbire calore, che può causare ustioni o ustioni a bassa temperatura. Fare attenzione a come si maneggiano le cartucce delle batterie estremamente calde.**
15. **Non toccare i terminali dell'utensile subito dopo l'uso, in quanto potrebbero diventare estremamente caldi al punto da causare ustioni.**
16. **Evitare di far incastrare schegge, polveri o tereno nei terminali, nei fori e nelle scanalature della cartuccia della batteria.** In caso contrario, l'utensile o la cartuccia della batteria potrebbero riscaldarsi, prendere fuoco, scoppiare o guastarsi, causando ustioni o lesioni personali.
17. **A meno che l'utensile supporti l'uso in prossimità di linee elettriche ad alta tensione, non utilizzare la cartuccia della batteria in prossimità di linee elettriche ad alta tensione.** In caso contrario, si potrebbe causare un malfunzionamento o la rottura dell'utensile o della cartuccia della batteria.
18. **Tenere la batteria lontana dai bambini.**

## CONSERVARE LE PRESENTI ISTRUZIONI.

**⚠ATTENZIONE:** Utilizzare solo batterie originali Makita. L'utilizzo di batterie Makita non originali, o di batterie che siano state alterate, potrebbe risultare nello scoppio della batteria, causando incendi, lesioni personali e danni. Inoltre, ciò potrebbe invalidare la garanzia Makita per l'utensile e il caricabatterie Makita.

## Suggerimenti per preservare la durata massima della batteria

1. **Caricare la cartuccia della batteria prima che si scarichi completamente. Smettere sempre di utilizzare l'utensile e caricare la cartuccia della batteria quando si nota che la potenza dell'utensile è diminuita.**
2. **Non ricaricare mai una cartuccia della batteria completamente carica. La sovraccarica riduce la vita utile della batteria.**
3. **Caricare la cartuccia della batteria a una temperatura ambiente compresa tra 10 °C e 40 °C. Lasciar raffreddare una cartuccia della batteria prima di caricarla.**
4. **Quando non si utilizza la cartuccia della batteria, rimuoverla dall'utensile o dal caricabatterie.**
5. **Caricare la cartuccia della batteria se non la si è utilizzata per un periodo di tempo prolungato (più di sei mesi).**

## DESCRIZIONE DELLE FUNZIONI

**⚠ATTENZIONE:** Accertarsi sempre che l'utensile sia spento e che la cartuccia della batteria sia stata rimossa prima di regolare o di controllare il funzionamento dell'utensile.

## Installazione o rimozione della cartuccia della batteria

**⚠ATTENZIONE:** Spegnerne sempre l'utensile prima di installare o rimuovere la cartuccia della batteria.

**⚠ATTENZIONE:** Mantenere saldamente lo strumento e la batteria quando si intende installare o rimuovere la cartuccia della batteria. Qualora non si mantengano saldamente lo strumento e la cartuccia della batteria, questi ultimi potrebbero scivolare dalle mani, con la possibilità di causare un danneggiamento dello strumento e della cartuccia della batteria, nonché una lesione personale.

► Fig. 1: 1. Indicatore rosso 2. Pulsante 3. Cartuccia della batteria

Per rimuovere la cartuccia della batteria, farla scorrere via dall'utensile mentre si fa scorrere allo stesso tempo il pulsante sulla parte anteriore della cartuccia.

Per installare la cartuccia della batteria, allineare la linguetta sulla cartuccia della batteria con la scanalatura nell'alloggiamento e farla scivolare in sede. Inserirla completamente fino al suo blocco in sede con un leggero scatto. Se è possibile vedere l'indicatore rosso, come indicato nella figura, non è bloccata completamente.

**⚠ATTENZIONE:** Installare sempre fino in fondo la cartuccia della batteria, fino a quando l'indicatore rosso non è più visibile. In caso contrario, la batteria potrebbe cadere accidentalmente dall'utensile, causando lesioni personali all'operatore o a chi gli è vicino.

**⚠ATTENZIONE:** Non installare forzatamente la cartuccia della batteria. Qualora la batteria non si inserisca scorrendo agevolmente, vuol dire che non viene inserita correttamente.

## Indicazione della carica residua della batteria

**Solo per cartucce delle batterie dotate di indicatore**

Premere il pulsante di controllo sulla cartuccia della batteria per indicare la carica residua della batteria. Gli indicatori luminosi si illuminano per alcuni secondi.

► Fig.2: 1. Indicatori luminosi 2. Pulsante di controllo

Indicatori luminosi			Carica residua
■ Illuminato	□ Spento	▣ Lampeggiante	
■ ■ ■ ■			Dal 75% al 100%
■ ■ ■ □			Dal 50% al 75%
■ ■ □ □			Dal 25% al 50%
■ □ □ □			Dallo 0% al 25%
▣ □ □ □			Caricare la batteria.
■ ■ □ □	↑ ↓	■ ■	La batteria potrebbe essersi guastata.

**NOTA:** A seconda delle condizioni d'uso e della temperatura ambiente, l'indicazione potrebbe variare leggermente rispetto alla carica effettiva.

**NOTA:** Il primo indicatore luminoso (all'estremità sinistra) lampeggia quando il sistema di protezione della batteria è in funzione.

## Sistema di protezione strumento/batteria

**AVVISO:** A seconda delle condizioni di utilizzo, l'utensile si arresta automaticamente senza alcuna indicazione, qualora rami o detriti restino incagliati nell'utensile. In questo caso, spegnere l'utensile e rimuovere la cartuccia della batteria, quindi rimuovere i rami o i detriti incagliati utilizzando degli utensili, ad esempio delle pinze. Dopo aver rimosso i rami o i detriti, installare la cartuccia della batteria e riaccendere l'utensile.

L'utensile è dotato di un sistema di protezione dell'utensile stesso e della batteria. Tale sistema interrompe automaticamente l'alimentazione al motore per prolungare la vita utile dell'utensile e della batteria. L'utensile si arresta automaticamente durante il funzionamento, qualora l'utensile o la batteria vengano a trovarsi in una delle condizioni seguenti:

### Protezione dal sovraccarico

Quando l'utensile o la batteria vengono utilizzati in un modo che causi un assorbimento di energia elevato in modo anomalo, l'utensile si arresta automaticamente. In questa circostanza, spegnere l'utensile e interrompere l'applicazione che ha causato il sovraccarico dell'utensile. Quindi, accendere l'utensile per ricominciare.

### Protezione dal surriscaldamento

Quando l'utensile o la batteria sono surriscaldati, l'utensile si arresta automaticamente. In tal caso, lasciar raffreddare l'utensile e la batteria prima di riaccendere l'utensile.

### Protezione dalla sovrascarica

Quando la carica della batteria non è sufficiente, l'utensile si arresta automaticamente. In tal caso, rimuovere la batteria dall'utensile e caricarla.

### Protezione da altre cause

Il sistema di protezione è progettato anche per altre cause che potrebbero danneggiare l'utensile, e consente all'utensile di arrestarsi automaticamente. Adottare tutte le misure seguenti per rimuovere le cause, quando l'utensile è stato portato a un'interruzione temporanea o a un arresto del funzionamento.

1. Spegnere l'utensile, quindi riaccenderlo per ricominciare.
2. Caricare la batteria o le batterie, o sostituirla/sostituire con una batteria o delle batterie ricaricate.
3. Lasciar raffreddare la macchina e la batteria o le batterie.

Qualora non si riscontri alcun miglioramento ripristinando il sistema di protezione, contattare il proprio centro di assistenza locale Makita.

**AVVISO:** Qualora l'utensile si arresti a causa di un motivo non descritto sopra, fare riferimento alla sezione relativa alla risoluzione dei problemi.

## Funzionamento dell'interruttore

**⚠AVVERTIMENTO:** Per la sicurezza dell'utensile, questo utensile è dotato di una leva dell'interruttore, che evita avvii accidentali dell'utensile. Non utilizzare MAI l'utensile qualora entri in funzione semplicemente quando si preme l'interruttore a grilletto senza premere la leva dell'interruttore. Portare l'utensile a un nostro centro di assistenza autorizzato per le riparazioni appropriate PRIMA di un ulteriore utilizzo.

**⚠AVVERTIMENTO:** Non fissare MAI con del nastro adesivo la leva dell'interruttore e non escluderla MAI la funzione e l'operatività.

**⚠AVVERTIMENTO:** Prima di installare la cartuccia della batteria sull'utensile, verificare sempre che l'interruttore a grilletto e la leva dell'interruttore funzionino correttamente e tornino alla posizione di spegnimento quando vengono rilasciati. L'utilizzo di un utensile con un interruttore che non funzioni correttamente può portare alla perdita di controllo e a gravi lesioni personali.

**⚠ATTENZIONE:** Non appoggiare mai il dito sull'interruttore durante il trasporto. In caso contrario, l'utensile si potrebbe avviare accidentalmente e causare lesioni personali.

Per avviare l'utensile, afferrare la maniglia anteriore mentre si tiene premuta la leva dell'interruttore, e premere l'interruttore a grilletto. Per arrestare l'utensile, rilasciare l'interruttore a grilletto o la leva dell'interruttore.

► **Fig.3:** 1. Maniglia anteriore 2. Leva dell'interruttore 3. Interruttore a grilletto

## Indicatore luminoso

► **Fig.4:** 1. Indicatore luminoso

L'indicatore luminoso lampeggia o si illumina quando la carica della batteria diventa bassa o l'utensile è sovraccaricato. Per informazioni sullo stato e le misure corrette da adottare, fare riferimento alla tabella seguente.

Indicatore luminoso	Stato	Misura correttiva da adottare
L'indicatore luminoso lampeggia in rosso.	La carica residua della batteria è bassa.	Ricaricare la batteria o sostituirla con una carica.
L'indicatore luminoso si illumina in rosso.	La carica residua della batteria è esaurita.	Ricaricare la batteria o sostituirla con una carica.
	L'utensile si è arrestato a causa di un sovraccarico.	Spegnere l'utensile, quindi rimuovere la causa del sovraccarico.
	L'utensile si è arrestato a causa di un surriscaldamento.	Spegnere l'utensile, quindi far raffreddare l'utensile e la batteria.

**NOTA:** Il momento in cui l'indicatore luminoso lampeggia o si illumina varia in base alla temperatura intorno all'area di lavoro e alle condizioni della cartuccia della batteria.

## Funzione elettronica

L'utensile è dotato di funzioni elettroniche, per un facile utilizzo.

- **Controllo costante della velocità**  
La funzione di controllo della velocità fornisce una velocità di rotazione costante, indipendentemente dalle condizioni di carico.
- **Freno elettrico**  
Questo utensile è dotato di un freno elettrico. Qualora l'utensile non riesca ripetutamente ad arrestare rapidamente le lame a cesoie dopo il rilascio dell'interruttore a grilletto, far sottoporre a riparazione l'utensile presso un centro di assistenza autorizzato Makita.
- **Funzione di prevenzione del riavvio accidentale**  
Anche se si installa la cartuccia della batteria mentre si tiene premuto l'interruttore a grilletto, l'utensile non si avvia. Per avviare l'utensile, rilasciare innanzitutto l'interruttore a grilletto, quindi premere l'interruttore a grilletto.

## MONTAGGIO

**⚠ATTENZIONE:** Accertarsi sempre che l'utensile sia spento e che la cartuccia della batteria sia stata rimossa, prima di effettuare qualsiasi intervento sull'utensile.

**⚠ATTENZIONE:** Quando si intende sostituire le lame a cesoie, indossare sempre i guanti, affinché le mani non entrino in contatto direttamente con le lame.

**AVVISO:** Quando si sostituiscono le lame a cesoie, non rimuovere il grasso dall'ingranaggio e dalla manovella.

## Installazione o rimozione delle lame a cesoie

**⚠ATTENZIONE:** Applicare il coprilama prima di rimuovere o installare le lame a cesoie.

È possibile installare lame a cesoie da 500 mm o da 600 mm sull'utensile.

1. Fissare il coprilama sulle lame a cesoie.

► **Fig.5:** 1. Coprilama

2. Capovolgere l'utensile, rimuovere 6 bulloni, quindi rimuovere il coperchio e la piastra.

► **Fig.6:** 1. Bullone 2. Coperchio 3. Piastra

**NOTA:** La piastra potrebbe restare sul coperchio.

3. Girare la manovella con il cacciavite a punta piatta, in modo che i 2 fori siano perpendicolari alle lame a cesoie.

► **Fig.7:** 1. Manovella 2. Foro

4. Rimuovere 2 bulloni, il feltrino e le bussole, quindi rimuovere le lame a cesoie.

► **Fig.8:** 1. Feltrino 2. Bullone 3. Bussola 4. Lame a cesoie

5. Rimuovere il coprilama, quindi applicarlo sulle nuove lame a cesoie.

► **Fig.9:** 1. Coprilama

6. Allineare i bordi posteriori delle lame a cesoie come indicato nella figura.

► **Fig.10:** 1. Bordo posteriore

7. Far scorrere leggermente le lame a cesoie come indicato nella figura, quindi montare le bussole sulle lame a cesoie.

► **Fig.11:** 1. Bussola

8. Far scorrere leggermente il coprilama verso la punta delle lame a cesoie, quindi montare le lame a cesoie sull'utensile.

► **Fig.12:** 1. Lame a cesoie

**AVVISO:** Applicare una piccola quantità di grasso sulla parte periferica interna del foro delle lame a cesoie.

**AVVISO:** Fare attenzione a non perdere le bussole.

9. Far scorrere le lame a cesoie e le bussole in modo che i fori su queste ultime siano allineati con i fori sull'utensile.

► **Fig.13:** 1. Foro sull'utensile 2. Foro sulla bussola

10. Serrare i bulloni per fissare le lame a cesoie.

► **Fig.14:** 1. Bullone

11. Montare il feltrino sulle lame a cesoie.

► **Fig.15:** 1. Feltrino

12. Montare la piastra.

► **Fig.16:** 1. Piastra

13. Montare il coperchio, quindi serrare 6 bulloni.

► **Fig.17:** 1. Bullone 2. Coperchio

**AVVISO:** Qualora le lame a cesoie non si muovano in modo fluido, le lame a cesoie non sono innestate correttamente nella manovella. Installare di nuovo le lame a cesoie.

**AVVISO:** Qualora parti diverse dalle lame a cesoie, ad esempio la manovella, siano usurate, rivolgersi a centri di assistenza autorizzati Makita per i pezzi di ricambio o le riparazioni.

## Installazione o rimozione del raccoglitore di residui

### Accessorio opzionale

**ATTENZIONE:** Quando si intende installare o rimuovere il raccoglitore di residui, indossare sempre i guanti, affinché le mani non entrino in contatto direttamente con le lame a cesoie.

**AVVISO:** Non è possibile installare il coprilama se il raccoglitore di residui è installato sull'utensile. Prima di trasportare o riporre l'utensile, disinstallare il raccoglitore di residui, quindi installare il coprilama per evitare che le lame restino esposte.

**AVVISO:** Accertarsi di rimuovere il coprilama prima di installare il raccoglitore di residui.

Il raccoglitore di residui raccoglie le foglie scartate e facilita notevolmente la pulizia in seguito. Può venire installato su entrambi i lati dell'utensile.

1. Allineare i fori sul raccoglitore di residui con le viti sulle lame a cesoie.

► **Fig.18:** 1. Vite

2. Agganciare i ganci del raccoglitore di residui alla scanalatura sulle lame a cesoie.

► **Fig.19:** 1. Gancio 2. Scanalatura

3. Premere le leve sul raccoglitore di residui, quindi agganciare i ganci sull'altro lato alla scanalatura sulle lame a cesoie.

► **Fig.20:** 1. Leva

Per rimuovere il raccoglitore di residui, premere le leve per sbloccare i ganci.

► **Fig.21:** 1. Leva

**AVVISO:** Non tentare mai di rimuovere il raccoglitore di residui applicando forza eccessiva con i suoi ganci bloccati nelle lame a cesoie.

## FUNZIONAMENTO

**AVVERTIMENTO:** Tenere le mani lontane dalle lame a cesoie.

**ATTENZIONE:** Evitare l'utilizzo dell'utensile in condizioni atmosferiche estremamente calde, per quanto possibile. Quando si utilizza l'utensile, fare attenzione alle proprie condizioni fisiche.

**ATTENZIONE:** Fare attenzione a non entrare in contatto accidentalmente con una recinzione in metallo o con altri oggetti duri durante la rifilatura. In caso contrario, le lame a cesoie potrebbero rompersi e causare lesioni personali.

**ATTENZIONE:** Fare attenzione a evitare che le lame a cesoie entrino in contatto con il terreno. In caso contrario, l'utensile potrebbe subire un contraccolpo e causare lesioni personali.

**ATTENZIONE:** Sporgersi con un tagliasiepi, specialmente da una scala a pioli, è estremamente pericoloso. Non lavorare in piedi su alcuna superficie traballante o malferma.

**AVVISO:** Non tentare di tagliare rami di spessore superiore ai 10 mm di diametro con l'utensile.

Tagliare i rami a un'altezza di 10 cm inferiore a quella di taglio utilizzando dei troncareami, prima di utilizzare l'utensile.

► **Fig.22:** (1) Altezza di taglio (2) 10 cm

**AVVISO:** Non tagliare alberi morti oppure oggetti duri simili. In caso contrario, si potrebbe danneggiare l'utensile.

**AVVISO:** Non rifilare l'erba o le erbacce mentre si utilizzano le lame a cesoie. Le lame a cesoie potrebbero restare incagliate nell'erba o nelle erbacce.

Mantenere l'utensile con entrambe le mani, afferrare la maniglia anteriore mentre si tiene premuta la leva dell'interruttore e premere l'interruttore a grilletto, quindi spostare l'utensile in avanti.

► Fig.23

Per il funzionamento di base, inclinare le lame a cesoie verso la direzione di rifilatura e spostarle con calma e lentamente a una velocità compresa tra 3 e 4 secondi per metro.

► Fig.24

Per tagliare una siepe in modo uniforme, legare un nastro all'altezza desiderata e rifilare seguendo il nastro.

► Fig.25

Se si monta il raccogliore di residui sulle lame a cesoie, l'accessorio raccoglie le foglie scartate e facilita notevolmente la pulizia in seguito.

► Fig.26

Per tagliare il lato di una siepe in modo omogeneo, eseguire il taglio dal basso verso l'alto.

► Fig.27

Quando si rifila per creare una forma tondeggianti (rifilatura di bosso e rododendro, e così via), rifilare partendo dalle radici verso l'alto per ottenere una bellissima finitura.

► Fig.28

## MANUTENZIONE

**⚠ATTENZIONE:** Accertarsi sempre che l'utensile sia spento e che la cartuccia della batteria sia stata rimossa prima di tentare di eseguire interventi di ispezione o manutenzione.

Per preservare la SICUREZZA e l'AFFIDABILITÀ del prodotto, le riparazioni e qualsiasi altro intervento di manutenzione e di regolazione devono essere eseguiti da un centro di assistenza autorizzato Makita, utilizzando sempre ricambi Makita.

### Pulizia dell'utensile

Pulire l'utensile rimuovendo le polveri con un panno asciutto o con uno bagnato in acqua saponata e strizzato.

**AVVISO:** Non utilizzare mai benzina, benzene, solventi, alcol o altre sostanze simili. In caso contrario, si potrebbero causare scolorimenti, deformazioni o crepe.

### Manutenzione delle lame a cesoie

Prima del funzionamento, oppure una volta per ogni ora di utilizzo, applicare olio a bassa viscosità (olio per macchine, oppure olio lubrificante di tipo spray) sulle lame a cesoie.

► Fig.29

Dopo l'uso, asportare la polvere da entrambi i lati delle lame a cesoie con una spazzola metallica, pulire la polvere passando un panno, quindi applicare olio a bassa viscosità (olio per macchine, oppure olio lubrificante di tipo spray) sulle lame a cesoie.

► Fig.30

**AVVISO:** Non lavare le lame a cesoie in acqua. In caso contrario, si potrebbe causare la formazione di ruggine o danneggiare l'utensile.

**AVVISO:** Lo sporco e la corrosione causano un'eccessiva frizione delle lame e riducono la durata di esercizio per ciascuna carica della batteria.

## Conservazione

Il foro per il gancio nella parte inferiore dell'utensile è comodo per appendere quest'ultimo a un chiodo o a una vite nella parete.

Applicare il coprilama sulle lame a cesoie in modo che le lame non siano esposte. Conservare l'utensile fuori dalla portata dei bambini. Riporre l'utensile in un'ubicazione non esposta all'umidità o alla pioggia.

► Fig.31: 1. Foro

## Affilatura delle lame a cesoie

**AVVISO:** Qualora le lame a cesoie si siano deformate notevolmente a causa dell'affilatura, sostituire le lame a cesoie con lame nuove.

1. Installare la cartuccia della batteria nell'utensile.
2. Accendere e avviare l'utensile in modo che la lama superiore e la lama inferiore siano posizionate in modo alternato.

► Fig.32

3. Spegner l'utensile e rimuovere la cartuccia della batteria dall'utensile.

4. Impostare l'angolazione di una lima a 35, quindi affilare la lama superiore da 2 direzioni con la lima.

► Fig.33: (1) Lima (2) 35°

**⚠ATTENZIONE:** Prima di affilare le lame a cesoie, accertarsi che l'utensile sia spento e che la cartuccia della batteria sia stata rimossa dall'utensile.

5. Appoggiare l'utensile capovolto, quindi rimuovere le sbavature dalle lame a cesoie con la pietra ravnivamole.

► Fig.34: 1. Pietra ravnivamole

6. Impostare l'angolazione della lima a 35, quindi affilare la lama inferiore da 2 direzioni con la lima.

7. Rimettere l'utensile nella posizione normale, quindi rimuovere le sbavature dalle lame a cesoie con la pietra ravnivamole.

## Lubrificazione con grasso

**Intervallo di lubrificazione:** Ogni 50 ore di funzionamento

1. Rimuovere il bullone dal foro per la lubrificazione.

► Fig.35: 1. Bullone

2. Rimuovere il cappuccio dal contenitore del grasso. Allineare l'uscita del contenitore del grasso con il foro presente sul coperchio, quindi girare il contenitore del grasso per montare l'uscita del contenitore del grasso nel foro.

► Fig.36: 1. Contenitore del grasso 2. Foro

3. Applicare il grasso sull'utensile (circa 3 g, come riferimento).
4. Rimuovere il contenitore del grasso.
5. Serrare il bullone.

# RISOLUZIONE DEI PROBLEMI

Prima di richiedere riparazioni, eseguire un'ispezione personalmente. Qualora si rilevi un problema che non è illustrato nel manuale, non tentare di smontare l'utensile. Rivolgersi, invece, a un centro di assistenza autorizzato Makita, utilizzando sempre pezzi di ricambio Makita per le riparazioni.

Stato di anomalia	Causa probabile (guasto)	Azione correttiva
Il motore non funziona.	La cartuccia della batteria non è installata.	Installare la cartuccia della batteria.
	Problema della batteria (sotto tensione)	Ricaricare la batteria. Qualora la ricarica non sia efficace, sostituire la batteria.
	Il sistema di trasmissione non funziona correttamente.	Richiedere la riparazione a un centro di assistenza autorizzato locale.
Il motore si arresta dopo un breve utilizzo.	Il livello di carica della batteria è basso.	Ricaricare la batteria. Qualora la ricarica non sia efficace, sostituire la batteria.
	Surriscaldamento.	Interrompere l'utilizzo dell'utensile per consentirgli di raffreddarsi.
L'utensile non raggiunge il numero massimo di giri al minuto.	La batteria non è installata correttamente.	Installare la cartuccia della batteria come descritto nel presente manuale.
	La carica della batteria si sta esaurendo.	Ricaricare la batteria. Qualora la ricarica non abbia effetto, sostituire la batteria.
	Il sistema di trasmissione non funziona correttamente.	Richiedere la riparazione a un centro di assistenza autorizzato locale.
Le lame a cesoie non si muovono: ⇒ arrestare immediatamente la macchina!	Dei corpi estranei sono incagliati tra le lame a cesoie.	Spegnere l'utensile e rimuovere la cartuccia della batteria, quindi rimuovere i corpi estranei utilizzando degli utensili, ad esempio delle pinze.
	Il sistema di trasmissione non funziona correttamente.	Richiedere la riparazione a un centro di assistenza autorizzato locale.
Vibrazione anomala: ⇒ arrestare immediatamente la macchina!	Le lame a cesoie sono rotte, piegate o usurate.	Sostituire le lame a cesoie.
	Il sistema di trasmissione non funziona correttamente.	Richiedere la riparazione a un centro di assistenza autorizzato locale.
Non si riesce ad arrestare le lame a cesoie e il motore: ⇒ rimuovere immediatamente la batteria!	Malfunzionamento elettrico.	Rimuovere la batteria e richiedere la riparazione a un centro di assistenza autorizzato locale.

## ACCESSORI OPZIONALI

**⚠ATTENZIONE:** Questi accessori o componenti aggiuntivi sono consigliati per l'uso con l'utensile Makita specificato nel presente manuale.

L'impiego di altri accessori o componenti aggiuntivi può costituire un rischio di lesioni alle persone. Utilizzare gli accessori o i componenti aggiuntivi solo per il loro scopo prefissato.

Per ottenere ulteriori dettagli relativamente a questi accessori, rivolgersi a un centro di assistenza Makita.

- Lama completa
- Coprilama per lama a cesoie
- Raccogliitore di residui
- Contenitore del grasso
- Batteria e caricabatterie originali Makita

**NOTA:** Alcuni articoli nell'elenco potrebbero essere inclusi nell'imballaggio dell'utensile come accessori standard. Tali articoli potrebbero variare da nazione a nazione.



## TECHNISCHE GEGEVENS

Model:		DUH506	DUH606
Lengte messenblad		500 mm	600 mm
Bewegingen per minuut		4.000 min <sup>-1</sup>	
Totale lengte (zonder accu)		846 mm	965 mm
Nominale spanning		18 V gelijkspanning	
Nettogewicht	*1	2,2 kg	2,3 kg
	*2	2,5 - 2,9 kg	2,7 - 3,0 kg

- In verband met ononderbroken research en ontwikkeling, behouden wij ons het recht voor de bovenstaande technische gegevens zonder voorafgaande kennisgeving te wijzigen.
  - De technische gegevens kunnen van land tot land verschillen.
- \*1: Gewicht zonder enige accessoires of accu(s)  
 \*2: Het gewicht kan verschillen afhankelijk van het/de hulpstuk(ken), waaronder de accu. De lichtste en zwaarste combinaties, volgens EPTA-procedure 01/2014, worden vermeld in de tabel.

### Toepasselijke accu's en laders

Accu	BL1815N / BL1820B / BL1830B / BL1840B / BL1850B / BL1860B
Lader	DC18RC / DC18RD / DC18RE / DC18SD / DC18SE / DC18SF / DC18SH / DC18WC

- Sommige van de hierboven vermelde accu's en laders zijn mogelijk niet leverbaar afhankelijk van waar u woont.

**⚠ WAARSCHUWING:** Gebruik uitsluitend de accu's en laders die hierboven worden genoemd. Gebruik van enige andere accu of lader kan leiden tot letsel en/of brand.







### Aanbevolen bekabelde voedingsbron

Draagbare voedingseenheid	PDC01
---------------------------	-------

- De hierboven vermelde bekabelde voedingsbron(nen) is/zijn mogelijk niet leverbaar afhankelijk van waar u woont.
- Alvorens de bekabelde voedingsbron te gebruiken, leest u de instructies en waarschuwingsopchriften erop.

### Symbolen

Hieronder staan de symbolen die voor het gereedschap kunnen worden gebruikt. Zorg ervoor dat u de betekenis ervan kent voordat u het gereedschap gaat gebruiken.

	Lees de gebruiksaanwijzing.
	Draag oogbescherming.
	GEVAAR - Houd handen uit de buurt van het snijgarnituur.
	Stel niet bloot aan vocht.
	Draag oog- en gehoorbescherming.
	Stel niet bloot aan regen.



Alleen voor EU-landen  
 Als gevolg van de aanwezigheid van schadelijke componenten in het apparaat, kunnen oude elektrische en elektronische apparaten, accu's en batterijen negatieve gevolgen hebben voor het milieu en de gezondheid van mensen.  
 Gooi elektrische en elektronische apparaten en accu's niet met het huisvuil weg!  
 In overeenstemming met de Europese richtlijn inzake oude elektrische en elektronische apparaten en inzake accu's en batterijen en oude accu's en batterijen, alsmede de toepassing daarvan binnen de nationale wetgeving, dienen oude elektrische apparaten, accu's en batterijen gescheiden te worden opgeslagen en te worden ingeleverd bij een apart inzamelingspunt voor huishoudelijk afval dat de milieubeschermingsvoorschriften in acht neemt.  
 Dit wordt op het apparaat aangegeven door het symbool van een doorgekruiste afvalcontainer.





Gegarandeerd geluidsvermogeniveau conform EU-richtlijn inzake geluidsemisatie buitenhuis.



Geluidsvermogeniveau conform de Regelgeving Geluidsregeling van NSW, Australië

## Gebruiksdoeleinden

Het gereedschap is bedoeld om heggen te snoeien.

## Geluidsniveau

De typische, A-gewogen geluidsniveaus zijn gemeten volgens EN62841-4-2:

Model	Geluidsrukniveau		Gegarandeerd geluidsvermogeniveau	Gemeten geluidsvermogeniveau	
	L <sub>pA</sub> (dB (A))	Onzekerheid K (dB (A))		L <sub>WA</sub> (dB (A))	Onzekerheid K (dB (A))
DUH506	80	3	90	88	1,8
DUH606	82	3	92	90	1,9

**OPMERKING:** De opgegeven geluidsemisiewaarde(n) is/zijn gemeten volgens een standaardtestmethode en kan/kunnen worden gebruikt om dit gereedschap te vergelijken met andere gereedschappen.

**OPMERKING:** De opgegeven geluidsemisiewaarde(n) kan/kunnen ook worden gebruikt voor een beoordeling vooraf van de blootstelling.

**WAARSCHUWING:** Draag gehoorbescherming.

**WAARSCHUWING:** De geluidsemisatie tijdens het gebruik van het elektrisch gereedschap in de praktijk kan verschillen van de opgegeven waarde(n) afhankelijk van de manier waarop het gereedschap wordt gebruikt, met name van het soort werkstuk waarmee wordt gewerkt.

**WAARSCHUWING:** Zorg ervoor dat veiligheidsmaatregelen worden getroffen ter bescherming van de gebruiker die zijn gebaseerd op een schatting van de blootstelling onder praktijkomstandigheden (rekening houdend met alle fasen van de bedrijfscyclus, zoals de tijdsduur gedurende welke het gereedschap is uitgeschakeld en stationair draait, naast de ingeschakelde tijdsduur).

## Trilling

De totale trillingswaarde (triaxiale vectorsom) zoals vastgesteld volgens EN62841-4-2:

Model	Voorhandgreep		Achterhandgreep	
	ah (m/s <sup>2</sup> )	Onzekerheid K (m/s <sup>2</sup> )	ah (m/s <sup>2</sup> )	Onzekerheid K (m/s <sup>2</sup> )
DUH506	2,5 m/s <sup>2</sup> of lager	1,5	2,5 m/s <sup>2</sup> of lager	1,5
DUH606	2,5 m/s <sup>2</sup> of lager	1,5	2,5 m/s <sup>2</sup> of lager	1,5

**OPMERKING:** De totale trillingswaarde(n) is/zijn gemeten volgens een standaardtestmethode en kan/kunnen worden gebruikt om dit gereedschap te vergelijken met andere gereedschappen.

**OPMERKING:** De opgegeven totale trillingswaarde(n) kan/kunnen ook worden gebruikt voor een beoordeling vooraf van de blootstelling.

**WAARSCHUWING:** De trillingsemisatie tijdens het gebruik van het elektrisch gereedschap in de praktijk kan verschillen van de opgegeven waarde(n) afhankelijk van de manier waarop het gereedschap wordt gebruikt, met name van het soort werkstuk waarmee wordt gewerkt.

**WAARSCHUWING:** Zorg ervoor dat veiligheidsmaatregelen worden getroffen ter bescherming van de gebruiker die zijn gebaseerd op een schatting van de blootstelling onder praktijkomstandigheden (rekening houdend met alle fasen van de bedrijfscyclus, zoals de tijdsduur gedurende welke het gereedschap is uitgeschakeld en stationair draait, naast de ingeschakelde tijdsduur).

## Verklaringen van conformiteit

### Alleen voor Europese landen

De verklaringen van conformiteit zijn bijgevoegd in Bijlage A bij deze gebruiksaanwijzing.

# VEILIGHEIDSWAAR- SCHUWINGEN

## Algemene veiligheidswaarschuwingen voor elektrisch gereedschap

**⚠WAARSCHUWING** Lees alle veiligheidswaar-  
schuwingen, instructies, afbeeldingen en techni-  
sche gegevens die bij dit elektrisch gereedschap  
worden geleverd. Als niet alle onderstaande instructies  
worden opgevolgd, kan dat leiden tot een elektrische  
shok, brand en/of ernstig letsel.

## Bewaar alle waarschuwingen en instructies om in de toekomst te kunnen raadplegen.

De term "elektrisch gereedschap" in de veiligheidsvoorschriften  
duidt op gereedschappen die op stroom van het lichtnet werken  
(met snoer) of gereedschappen met een accu (snoerloos).

## Veiligheidswaarschuwingen voor een accuheggenchaar

1. **Gebruik de heggenchaar niet onder slechte weersomstandigheden, met name wanneer de kans op bliksem bestaat.** Dit verkleint de kans om door de bliksem getroffen te worden.
2. **Houd alle netsnoeren en kabels uit de buurt van het snoeigebied.** Netsnoeren en kabels kunnen verborgen liggen in heggen of struiken en kunnen per ongeluk worden doorsneden door de messenbladen.
3. **Draag gehoorbescherming.** Afdoende beschermingsmiddelen verkleint het risico van gehoorschade.
4. **Houd de heggenchaar alleen vast bij de geïsoleerde oppervlakken omdat de messenbladen met verborgen bedrading in aanraking kunnen komen.** Wanneer de messenbladen in aanraking komen met onder spanning staande draden, zullen de niet-geïsoleerde metalen delen van de heggenchaar onder spanning komen te staan zodat de gebruiker een elektrische schok kan krijgen.
5. **Houd alle lichaamsdelen uit de buurt van de messenbladen. Verwijder geen snoeiafval en houd geen materiaal om te snoeien vast terwijl de messenbladen bewegen.** De messenbladen blijven bewegen nadat de schakelaar is uitgezet. Een ogenblik van onoplettendheid kan tijdens het gebruik van de heggenchaar leiden tot ernstig persoonlijk letsel.
6. **Bij het verwijderen van vastgelopen materiaal of uitvoeren van onderhoud aan de heggenchaar, verzekert u zich ervan dat alle aan-uitschakelaars uit staan en de accu is verwijderd of losgekoppeld.** Onverwachte inschakeling van de heggenchaar tijdens het verwijderen van vastgelopen materiaal of uitvoeren van onderhoud, kan leiden tot ernstig persoonlijk letsel.
7. **Draag de heggenchaar aan de handgreep met stilstaande messenbladen en let erop dat u geen enkele aan-uitschakelaar bedient.** Door op de juiste manier de heggenchaar te dragen, verkleint u de kans op per ongeluk starten met als gevolg persoonlijk letsel door de messenbladen.

8. **Bij het transporteren of opbergen van de heggenchaar moet altijd de schede worden aangebracht over de messenbladen.** Door op de juiste manier met de heggenchaar om te gaan, verkleint u de kans op persoonlijk letsel door de messenbladen.

## Aanvullende veiligheidswaarschuwingen

### Vorbereidingen

1. **Controleer de heggen en struiken op vreemde voorwerpen, zoals draadafstering of verborgen draden, voordat u het gereedschap gebruikt.**
2. **Het gereedschap mag niet worden gebruikt door kinderen of jongeren onder de 18 jaar.** Jongeren ouder dan 16 jaar kunnen uitgezonderd worden van deze regel mits zij les krijgen onder toezicht van een expert.
3. **Beginnende gebruikers dienen door een ervaren gebruiker te worden voorgedaan hoe het gereedschap moet worden gebruikt.**
4. **Gebruik het gereedschap alleen als u in goede lichamelijke conditie verkeert.** Als u vermoeid bent, kunt u zich minder goed concentreren. Wees met name voorzichtig aan het einde van de werkdag. Werk altijd rustig en voorzichtig. De gebruiker is aansprakelijk voor alle schade toegebracht aan derden.
5. **Gebruik het gereedschap nooit onder invloed van alcohol, drugs of medicijnen.**
6. **Werkhandschoenen van stevig leer maken deel uit van de standaard werkuitrusting van het gereedschap en moeten tijdens het werken ermee altijd worden gedragen. Draag tevens stevige schoenen met antislip zolen.**
7. **Alvorens met de werkzaamheden te beginnen, moet u controleren of het gereedschap in goede en veilige staat verkeert. Controleer dat de beschermkappen stevig gemonteerd zijn. Het gereedschap mag niet worden gebruikt voordat deze geheel compleet en afgemonteerd is.**
8. **Wanneer u de heggenchaar aan iemand anders geeft, legt u eerst de heggenchaar op de grond, laat u hem volledig los en pakt u hem vervolgens op.** Als u de heggenchaar met de hand aanreikt, hebt u tegelijkertijd de voorhandgreep en achterhandgreep vast, waardoor de heggenchaar onbedoeld wordt ingeschakeld. Onbedoeld inschakelen kan leiden tot ernstig letsel.

### Bediening

1. **Houd tijdens het gebruik het gereedschap stevig met beide handen vast.**
2. **Het gereedschap is bedoeld om te worden gebruikt door een gebruiker die op de grond staat. Gebruik het gereedschap niet op een ladder of andere instabiele ondergrond.**
3. **GEVAAR - Houd uw handen uit de buurt van de messenbladen.** Aanraking van de messenbladen kan leiden tot ernstig persoonlijk letsel.
4. **Gebruik het gereedschap niet in de regen of onder natte of zeer vochtige omstandigheden.** De elektromotor is niet waterdicht.
5. **Zorg alvorens met de werkzaamheden te beginnen ervoor dat u stevig staat.**
6. **Laat het gereedschap niet onnodig onbelast draaien.**

7. Schakel het gereedschap onmiddellijk uit en verwijder de accu als de messenbladen in aanraking komen met een afrastering of ander hard voorwerp. Controleer de messenbladen op beschadigingen en indien beschadigd, vervangt u de messenbladen onmiddellijk.
8. Alvorens de messenbladen te controleren, storingen te verhelpen of vastgelopen materiaal uit de messenbladen te verwijderen, schakelt u het gereedschap altijd uit en verwijdert u de accu.
9. Richt de messenbladen nooit op uzelf of anderen.
10. Als de messenbladen tijdens gebruik stoppen met bewegen doordat vreemde voorwerpen verstrikt geraakt zijn tussen de messenbladen, schakelt u het gereedschap uit en verwijdert u de accu, en verwijdert u vervolgens de vreemde voorwerpen met behulp van gereedschappen, zoals een tang. Als u de vreemde voorwerpen met de hand verwijdert, kan dat leiden tot letsel omdat de messenbladen kunnen gaan bewegen als reactie op het verwijderen van de vreemde voorwerpen.

## Elektrische veiligheid en accu

1. Vermijd gevaarlijke omgevingen. Gebruik het gereedschap niet op vochtige of natte plaatsen en stel het niet bloot aan regen. Als water binnendringt in het gereedschap, wordt de kans op een elektrische schok groter.
2. Werp de accu(s) niet in een vuur. De accu kan exploderen. Raadpleeg de lokale regelgeving voor mogelijke speciale verwerkingsvereisten.
3. Open of vervorm de accu(s) niet. Het elektrolyt is agressief en kan letsel toebrengen aan de ogen en huid. Het kan giftig zijn bij inslikken.
4. Laad de accu niet op in de regen of op een natte plaats.
5. Laad de accu niet buitenshuis op.
6. Raak de lader, inclusief de stekker en de contacten van de lader, niet met natte handen aan.

## Onderhoud en opslag

1. Schakel het gereedschap uit en verwijder de accu alvorens enige onderhoudswerkzaamheden uit te voeren.
2. Wanneer u het gereedschap naar een andere plaats overbrengt, ook tijdens het werk, verwijdert u altijd eerst de accu en brengt u de schede aan over de messenbladen. Draag of vervoer het gereedschap nooit met ingeschakelde messenbladen. Pak de messenbladen nooit met uw handen beet.
3. Reinig het gereedschap, en met name de messenbladen, na ieder gebruik en voordat het gereedschap langdurig wordt opgeborgen. Smeer de messenbladen met een beetje olie en breng de schade aan.
4. Berg het gereedschap met aangebrachte schede op in een droog vertrek. Houd het gereedschap buiten bereik van kinderen. Laat het gereedschap nooit buiten liggen.
5. Werp de accu(s) niet in een vuur. De accu kan exploderen. Raadpleeg de lokale regelgeving voor mogelijke speciale verwerkingsvereisten.
6. Open of vervorm de accu(s) niet. Het elektrolyt is agressief en kan letsel toebrengen aan de ogen en huid. Het kan giftig zijn bij inslikken.

## BEWAAR DEZE VOORSCHRIFTEN.

**⚠WAARSCHUWING:** Laat u NIET misleiden door een vals gevoel van comfort en bekendheid met het gereedschap (na veelvuldig gebruik) en neem alle veiligheidsvoorschriften van het betreffende gereedschap altijd strikt in acht. **VERKEERD GEBRUIK** of het niet naleven van de veiligheidsvoorschriften in deze gebruiksaanwijzing kan leiden tot ernstig letsel.

## Belangrijke veiligheidsinstructies voor een accu

1. Lees alle voorschriften en waarschuwingen op (1) de acculader, (2) de accu, en (3) het product waarvoor de accu wordt gebruikt, alvorens de accu in gebruik te nemen.
2. Haal de accu niet uit elkaar en saboteer hem niet. Dit kan leiden tot brand, buitensporige hitte of een explosie.
3. **Als de gebruikstijd van een opgeladen accu aanzienlijk korter is geworden, moet u het gebruik ervan onmiddellijk stopzetten.** Voortgezet gebruik kan oververhitting, brandwonden en zelfs een ontploffing veroorzaken.
4. Als elektrolyt in uw ogen is terechtgekomen, spoelt u uw ogen met schoon water en roept u onmiddellijk de hulp van een dokter in. Elektrolyt in de ogen kan blindheid veroorzaken.
5. Voorkom kortsluiting van de accu:
  - (1) Raak de accuklemmen nooit aan met een geleidend materiaal.
  - (2) Bewaar de accu niet in een bak waarin andere metalen voorwerpen zoals spijkers, munten e.d. worden bewaard.
  - (3) Stel de accu niet bloot aan water of regen. Kortsluiting van de accu kan oorzaak zijn van een grote stroomafgifte, oververhitting, brandwonden, en zelfs defecten.
6. Bewaar en gebruik het gereedschap en de accu niet op plaatsen waar de temperatuur kan oplopen tot 50 °C of hoger.
7. Werp de accu nooit in het vuur, ook niet wanneer hij zwaar beschadigd of volledig versleten is. De accu kan ontploffen in het vuur.
8. Laat de accu niet vallen, sla er geen spijker in, snijd er niet in, gooi er niet mee en stoot hem niet tegen een hard voorwerp. Dergelijke handelingen kunnen leiden tot brand, buitensporige hitte of een explosie.
9. **Gebruik nooit een beschadigde accu.**
10. **De bijgeleverde lithium-ionbatterijen zijn onderhevig aan de vereisten in de wetgeving omtrent gevaarlijke stoffen.** Voor commercieel transport en dergelijke door derden en transporteurs moeten speciale vereisten ten aanzien van verpakking en etikettering worden nageleefd. Als voorbereiding van het artikel dat wordt getransporteerd is het noodzakelijk een expert op het gebied van gevaarlijke stoffen te raadplegen. Houd u tevens aan mogelijk strengere nationale regelgeving. Blootliggende contactpunten moeten worden afgedekt met tape en de accu moet zodanig worden verpakt dat deze niet kan bewegen in de verpakking.

11. Wanneer u de accu wilt weggooien, verwijdert u de accu vanaf het gereedschap en gooit u hem op een veilige manier weg. Volg bij het weggooien van de accu de plaatselijke voorschriften.
12. Gebruik de accu's uitsluitend met de gereedschappen die door Makita zijn aanbevolen. Als de accu's worden aangebracht in niet-compatibele gereedschappen, kan dat leiden tot brand, buitensporige warmteontwikkeling, een explosie of lekkage van elektrolyt.
13. Als u het gereedschap gedurende een lange tijd niet denkt te gaan gebruiken, moet de accu vanaf het gereedschap worden verwijderd.
14. Tijdens en na gebruik, kan de accu heet worden waardoor brandwonden of koude brandwonden kunnen worden veroorzaakt. Wees voorzichtig bij het hanteren van een hete accu.
15. Raak de aansluitpunten van het gereedschap niet onmiddellijk na gebruik aan omdat deze heet genoeg kunnen zijn om brandwonden te veroorzaken.
16. Zorg ervoor dat geen steenslag, stof of grond vast komt te zitten op/in de aansluitpunten, openingen en groeven van de accu. Hierdoor kan oververhitting, brand, een barst en een storing in het gereedschap of de accu ontstaan waardoor brandwonden of persoonlijk letsel kunnen ontstaan.
17. Behalve indien gebruik van het gereedschap is toegestaan in de buurt van hoogspanningsleidingen, mag u de accu niet gebruiken in de buurt van een hoogspanningsleiding. Dit kan leiden tot een storing of een defect van het gereedschap of de accu.
18. Houd de accu uit de buurt van kinderen.

## BEWAAR DEZE INSTRUCTIES.

**⚠ALLET OP:** Gebruik uitsluitend originele Makita accu's. Het gebruik van niet-originele accu's, of accu's die zijn gewijzigd, kan ertoe leiden dat de accu ontploft en brand, persoonlijk letsel en schade veroorzaakt. Ook vervalt daarmee de garantie van Makita op het gereedschap en de lader van Makita.

## Tips voor een maximale levensduur van de accu

1. Laad de accu op voordat hij volledig ontladen is. Stop het gebruik van het gereedschap en laad de accu op telkens wanneer u vaststelt dat het vermogen van het gereedschap is afgenomen.
2. Laad een volledig opgeladen accu nooit opnieuw op. Te lang opladen verkort de levensduur van de accu.
3. Laad de accu op bij een omgevingstemperatuur tussen 10 °C en 40 °C. Laat een warme accu afkoelen alvorens hem op te laden.
4. Als de accu niet wordt gebruikt, verwijdert u hem vanaf het gereedschap of de lader.
5. Laad de accu op als u deze gedurende een lange tijd (meer dan zes maanden) niet gaat gebruiken.

## BESCHRIJVING VAN DE FUNCTIES

**⚠ALLET OP:** Zorg altijd dat het gereedschap is uitgeschakeld en de accu ervan is verwijderd alvorens de functies op het gereedschap af te stellen of te controleren.

### De accu aanbrengen en verwijderen

**⚠ALLET OP:** Schakel het gereedschap altijd uit voordat u de accu aanbrengt of verwijdert.

**⚠ALLET OP:** Houd het gereedschap en de accu stevig vast tijdens het aanbrengen of verwijderen van de accu. Als u het gereedschap en de accu niet stevig vasthoudt, kunnen deze uit uw handen glijpen en het gereedschap of de accu beschadigen, of kan persoonlijk letsel worden veroorzaakt.

► Fig.1: 1. Rood deel 2. Knop 3. Accu

Om de accu te verwijderen verschuift u de knop aan de voorkant van de accu en schuift u tegelijkertijd de accu uit het gereedschap.

Om de accu aan te brengen lijnt u de lip op de accu uit met de groef in de behuizing en duwt u de accu op zijn plaats. Steek de accu zo ver mogelijk in het gereedschap tot u een klikgekluid hoort. Wanneer het rode deel zichtbaar is, zoals aangegeven in de afbeelding, is de accu niet geheel vergrendeld.

**⚠ALLET OP:** Breng de accu altijd helemaal aan totdat het rode deel niet meer zichtbaar is. Als u dit niet doet, kan de accu per ongeluk uit het gereedschap vallen en u of anderen in uw omgeving verwonden.

**⚠ALLET OP:** Breng de accu niet met kracht aan. Als de accu niet gemakkelijk in het gereedschap kan worden geschoven, wordt deze niet goed aangebracht.

### De resterende acculading controleren

#### Alleen voor accu's met indicatorlampjes

Druk op de testknop op de accu om de resterende acculading te zien. De indicatorlampjes branden gedurende enkele seconden.

► Fig.2: 1. Indicatorlampjes 2. Testknop

Indicatorlampjes			Resterende acculading
Brandt	Uit	Knippert	
■	□	▩	75% tot 100%
■	■	□	50% tot 75%
■	□	□	25% tot 50%
■	□	□	0% tot 25%
▩	□	□	Laad de accu op.
■	□	□	Er kan een storing zijn opgetreden in de accu.
□	□	■	

**OPMERKING:** Afhankelijk van de gebruiksomstandigheden en de omgevingstemperatuur, is het mogelijk dat de aangegeven acculading verschilt van de werkelijke acculading.

**OPMERKING:** Het eerste (meest linker) indicatorlampje knippert wanneer het accubeveiligingssysteem in werking is getreden.

## Gereedschap-/accubeveiligingssysteem

**KENNISGEVING:** Afhankelijk van de gebruiksomstandigheden, stopt het gereedschap automatisch zonder enige aandiuiding wanneer takken of afval verstrikt zijn/is geraakt in het gereedschap. Schakel in dat geval eerst het gereedschap uit, verwijder vervolgens de accu en verwijder daarna verstrikt geraakte takken of afval met behulp van een tang of ander gereedschap. Nadat de takken of afval zijn/is verwijderd, brengt u de accu weer aan en schakelt u het gereedschap in.

Het gereedschap is voorzien van een gereedschap-/accubeveiligingssysteem. Dit systeem schakelt automatisch de voeding naar de motor uit om de levensduur van het gereedschap en de accu te verlengen. Het gereedschap kan tijdens het gebruik automatisch stoppen als het gereedschap of de accu aan één van de volgende omstandigheden wordt blootgesteld:

### Overbelastingsbeveiliging

Als het gereedschap of de accu wordt bediend op een manier waardoor een abnormaal hoge stroom wordt getrokken, stopt het gereedschap automatisch. In die situatie schakelt u het gereedschap uit en stopt u de toepassing die ertoe leidde dat het gereedschap overbelast raakte. Schakel vervolgens het gereedschap in om het weer te starten.

### Oververhittingsbeveiliging

Als het gereedschap of de accu oververhit is, stopt het gereedschap automatisch. Laat in dat geval het gereedschap en de accu afkoelen voordat u het gereedschap opnieuw inschakelt.

### Beveiliging tegen te ver ontladen

Als de acculading onvoldoende is, stopt het gereedschap automatisch. In dit het geval verwijderd u de accu vanaf het gereedschap en laadt u de accu op.

### Beveiliging tegen andere oorzaken

Het beveiligingssysteem is ook ontworpen voor andere oorzaken die het gereedschap kunnen beschadigen, en zorgt ervoor dat het gereedschap automatisch stopt. Voer alle volgende stappen uit om de oorzaken op te heffen, wanneer het gereedschap tijdelijk is onderbroken of tijdens het gebruik is gestopt.

1. Schakel het gereedschap uit en schakel het daarna weer in om het opnieuw te starten.
2. Laad de accu('s) op of vervang hem/ze door (een) opgeladen accu('s).
3. Laat het gereedschap en accu('s) afkoelen.

Als geen verbetering optreedt nadat het beveiligingssysteem is gereset, neemt u contact op met uw lokale Makita-servicecentrum.

**KENNISGEVING:** Als het gereedschap stopt als gevolg van een oorzaak die niet hierboven wordt beschreven, raadpleegt u het hoofdstuk **Problemen oplossen**.

## De trekkerschakelaar gebruiken

**WAARSCHUWING:** Omwille van uw veiligheid is dit gereedschap uitgerust met een hendelschakelaar die voorkomt dat het gereedschap onbedoeld wordt ingeschakeld. Gebruik het gereedschap **NOOIT** wanneer het kan worden ingeschakeld door alleen de trekkerschakelaar in te knijpen zonder de hendelschakelaar in te drukken. Stuur het gereedschap naar ons erkende servicecentrum voor deugdelijke reparatie **ALVORENS** het verder te gebruiken.

**WAARSCHUWING:** U mag **NOOIT** de hendelschakelaar met plakband vastzetten of anderszins de werking en functie ervan tenietdoen.

**WAARSCHUWING:** Controleer altijd, voordat u de accu op het gereedschap aanbrengt, of de trekkerschakelaar en hendelschakelaar de op de juiste manier schakelen en weer terugkeren naar de uit-stand nadat deze zijn losgelaten. Het gebruik van gereedschap met een schakelaar die niet goed werkt, kan leiden tot verlies van controle en ernstige verwondingen.

**LET OP:** Leg uw vinger nooit op de schakelaar terwijl u het gereedschap draagt. Het gereedschap kan onbedoeld starten en letsel veroorzaken.

Om het gereedschap te starten, houdt u de voorhandgreep vast terwijl u de hendelschakelaar indrukt en knijpt u de trekkerschakelaar in. Om het gereedschap te stoppen, laat u de trekkerschakelaar of de hendelschakelaar los.

- **Fig.3:** 1. Voorhandgreep 2. Hendelschakelaar 3. Trekkerschakelaar

## Bedrijfslampje

► **Fig.4:** 1. Bedrijfslampje

Het bedrijfslampje knippert of brandt wanneer de acculading laag is of het gereedschap overbelast is. Raadpleeg onderstaande tabel voor de toestand en de te nemen maatregelen.

Bedrijfslampje	Status	Te nemen maatregel
Het bedrijfslampje knippert rood.	De resterende acculading is laag.	Laad de accu op of vervang de accu door een opgeladen accu.
Het bedrijfslampje brandt rood.	De acculading is volledig opgebruikt.	Laad de accu op of vervang de accu door een opgeladen accu.
	Het gereedschap is gestopt als gevolg van overbelasting.	Schakel het gereedschap uit en hef de oorzaak van de overbelasting op.
	Het gereedschap is gestopt als gevolg van oververhitting.	Schakel het gereedschap uit en laat het gereedschap en de accu afkoelen.

**OPMERKING:** Het moment waarop het bedrijfslampje gaat knipperen of branden varieert met de temperatuur in het werkgebied en de toestand van de accu.

## Elektronische functie

Het gereedschap is uitgerust met elektronische aansturing voor een gemakkelijke bediening.

- Constant-toerentalregeling  
De toerentalregelfunctie zorgt voor een constant toerental ongeacht de belastingsomstandigheden.
- Elektrische rem  
Dit gereedschap is voorzien van een elektrische rem. Als het gereedschap constant niet in staat is de messenbladen snel stil te zetten nadat de trekkerschakelaar is losgelaten, laat u het gereedschap onderhouden door een erkend Makita-servicecentrum.
- Beveiliging tegen onopzettelijk herstarten  
Zelfs wanneer u de accu aanbrengt terwijl de trekverschakelaar ingeknepen wordt gehouden, start het gereedschap niet. Om het gereedschap te kunnen starten, laat u eerst de trekverschakelaar los en knijpt u vervolgens de trekverschakelaar in.

## MONTAGE

**⚠ LET OP:** Zorg altijd dat het gereedschap is uitgeschakeld en de accu ervan is verwijderd alvorens enig werk aan het gereedschap uit te voeren.

**⚠ LET OP:** Draag bij het vervangen van de messenbladen altijd handschoenen zodat uw handen niet rechtstreeks in aanraking komen met de messenbladen.

**KENNISGEVING:** Bij het aanbrengen of verwijderen van de messenbladen veegt u het vet op het tandwiel en de kruk er niet af.

## De messenbladen aanbrengen en verwijderen

**⚠ LET OP:** Breng de schede aan voordat u de messenbladen aanbrengt of verwijdert.

U kunt messenbladen van 500 mm of 600 mm aanbrengen op uw gereedschap.

1. Breng de schede aan op de messenbladen.  
► Fig.5: 1. Schede
2. Leg het gereedschap ondersteboven neer, verwijder 6 bouten en verwijder vervolgens de afdekking en de plaat.  
► Fig.6: 1. Bout 2. Afdekking 3. Plaat

**OPMERKING:** De plaat kan vast blijven zitten aan de afdekking.

3. Draai de kruk met de platkopschroevendraaier zodat de 2 gaten haaks op de messenbladen staan.  
► Fig.7: 1. Kruk 2. Gat

4. Verwijder de 2 bouten, het viltblok en de bussen, en verwijder daarna de messenbladen.

► Fig.8: 1. Viltblok 2. Bout 3. Bus 4. Messenbladen

5. Verwijder de schede en breng hem aan over de nieuwe messenbladen.

► Fig.9: 1. Schede

6. Lijn de achterranden van de messenbladen uit, zoals aangegeven in de afbeelding.

► Fig.10: 1. Achterrand

7. Verschuif de messenbladen iets, zoals aangegeven in de afbeelding, en bevestig daarna de bussen op de messenbladen.

► Fig.11: 1. Bus

8. Verschuif de schede iets in de richting van de punt van de messenbladen en bevestig daarna de messenbladen aan het gereedschap.

► Fig.12: 1. Messenbladen

**KENNISGEVING:** Breng een kleine hoeveelheid smeervet aan op de binnenomtrek van het gat in de messenbladen.

**KENNISGEVING:** Let erop dat u de bussen niet verliest.

9. Verschuif de messenbladen en bussen zodat de gaten in de bussen zijn uitgelijnd met de gaten in het gereedschap.

► Fig.13: 1. Gat in het gereedschap 2. Gat in de bus

10. Draai de bouten vast om de messenbladen te bevestigen.

► Fig.14: 1. Bout

11. Breng het viltblok aan op de messenbladen.

► Fig.15: 1. Viltblok

12. Breng de plaat aan.

► Fig.16: 1. Plaat

13. Breng de afdekking aan en draai daarna de 6 bouten vast.

► Fig.17: 1. Bout 2. Afdekking

**KENNISGEVING:** Als de messenbladen niet soepel bewegen, grijpen de messenbladen niet goed aan op de kruk. Breng de messenbladen opnieuw aan.

**KENNISGEVING:** Als andere onderdelen dan de messenbladen, zoals de kruk, zijn versleten, vraagt u een erkend Makita-servicecentrum, de onderdelen te vervangen of het gereedschap te repareren.



## De snoeiafvalvanger aanbrengen en verwijderen

### Optioneel accessoire

**⚠ LET OP:** Draag bij het aanbrengen of verwijderen van de snoeiafvalvanger altijd handschoenen zodat uw handen niet rechtstreeks in aanraking komen met de messenbladen.

**KENNISGEVING:** De schede kan niet worden aangebracht als de snoeiafvalvanger is aangebracht op het gereedschap. Alvorens het gereedschap mee te nemen of op te bergen, verwijdert u de snoeiafvalvanger en brengt u de schede aan om de messenbladen om blootstelling van de messenbladen te voorkomen.

**KENNISGEVING:** Verwijder de schede voordat u de snoeiafvalvanger aanbrengt.

De snoeiafvalvanger verzamelt afgesneden bladeren waardoor het opruimen later veel gemakkelijker is. Hij kan aan beide kanten van het gereedschap worden bevestigd.

1. Lijn de gaten in de snoeiafvalvanger uit met de schroeven op de messenbladen.

► **Fig.18:** 1. Schroef

2. Haak de vergrendelhaken van de snoeiafvalvanger in de sleuf van de messenbladen.

► **Fig.19:** 1. Klauw 2. Sleuf

3. Druk op de hendels van de snoeiafvalvanger en haak vervolgens de vergrendelhaken aan de andere kant in de sleuf van de messenbladen.

► **Fig.20:** 1. Hendel

Om de snoeiafvalvanger te verwijderen, drukt u de hendels in om de vergrendelhaken te ontgrendelen.

► **Fig.21:** 1. Hendel

**KENNISGEVING:** Probeer de snoeiafvalvanger nooit met grote kracht te verwijderen terwijl de haken aangrijpen in de messenbladen.

## BEDIENING

**⚠ WAARSCHUWING:** Houd uw handen uit de buurt van de messenbladen.

**⚠ LET OP:** Vermijd, voor zover dat praktisch is, het gebruik van het gereedschap bij zeer warm weer. Let tijdens gebruik van het gereedschap op uw fysieke toestand.

**⚠ LET OP:** Wees voorzichtig niet per ongeluk een metalen afrastering of andere harde voorwerpen te raken tijdens het snoeien. De messenbladen kunnen breken en letsel veroorzaken.

**⚠ LET OP:** Wees voorzichtig dat de messenbladen tijdens gebruik niet de grond raken. Het gereedschap kan hierdoor terugslaan en letsel veroorzaken.

**⚠ LET OP:** Het is bijzonder gevaarlijk met de heggenschaar te ver te reiken, met name op een ladder. Werk niet vanuit een wankele of instabiele stand.

**KENNISGEVING:** Probeer geen takken dikker dan 10 mm diameter te snoeien met het gereedschap. Snoei takken met behulp van een snoeischaar op 10 cm lager af dan de snoeihoogte voordat u het gereedschap gebruikt.

► **Fig.22:** (1) Snoeihoogte (2) 10 cm

**KENNISGEVING:** Snoei niet in dode bomen of andere harde voorwerpen. Als u dit toch doet, kan het gereedschap worden beschadigd.

**KENNISGEVING:** Snijd geen gras of onkruiden met de messenbladen. Het gras of de onkruiden kunnen verstrikt raken in de messenbladen.

Houd het gereedschap met beide handen vast. Houd de voorhandgreep vast terwijl u de hendelschakelaar indrukt en knijp de trekkerschakelaar in, en beweeg het gereedschap vervolgens naar voren.

► **Fig.23**

Als standaardmethode houdt u de messenbladen gekanteld in de snoeirichting en beweegt u ze rustig en langzaam met een snelheid van 3 of 4 seconden per meter.

► **Fig.24**

Om de bovenkant van een heg gelijkmatig te snoeien, spant u een touwtje op de gewenste hoogte en snoeit u er langs.

► **Fig.25**

Als de snoeiafvalvanger is bevestigd aan de messenbladen, verzamelt deze de gesnoeide bladeren en maakt het opruimen naderhand veel gemakkelijker.

► **Fig.26**

Om de zijkant van een heg gelijkmatig te snoeien, snoeit u van onder naar boven.

► **Fig.27**

Als u een ronde vorm wilt snoeien (snoeien van buxus, rododendron, enz.), snoeit u van onder naar boven voor een mooie afwerking.

► **Fig.28**

## ONDERHOUD

**⚠ LET OP:** Zorg altijd dat het gereedschap is uitgeschakeld en de accu ervan is verwijderd alvorens te beginnen met onderhoud of inspectie.

Om de VEILIGHEID en BETROUWBAARHEID van het gereedschap te handhaven, dienen alle reparaties, onderhoud of afstellingen te worden uitgevoerd bij een erkend Makita-servicecentrum of de Makita-fabriek, en altijd met gebruik van Makita-ervangingsonderdelen.

### Het gereedschap reinigen

Reinig het gereedschap door het stof eraf te vegen met een droge doek of een doek gedoopt in zeepwater en uitgewrongen.

**KENNISGEVING:** Gebruik nooit benzine, wasbenzine, thinner, alcohol en dergelijke. Hierdoor kunnen verkleuring, vervormingen en barsten worden veroorzaakt.

### De messenbladen onderhouden

Voorafgaand aan gebruik, en één keer per uur tijdens gebruik, brengt u olie met een lage viscositeit (machineolie of smeerolie uit een spuitbus) aan op de messenbladen.

► Fig.29

Verwijder na de werkzaamheden het vuil vanaf beide zijden van de messenbladen met behulp van een staalborstel, veeg de messenbladen schoon met een doek, en breng daarna olie met een lage viscositeit (machineolie of smeerolie uit een spuitbus) aan op de messenbladen.

► Fig.30

**KENNISGEVING:** Was de messenbladen niet met water. Als u dit toch doet, kan het gereedschap gaan roesten of worden beschadigd.

**KENNISGEVING:** Vuil en roest zorgen voor een buitensporige weerstand tussen de messenbladen en verkorten de gebruiksduur van een acculading.

### Opslag

Het gat voor de haak in de onderkant van het gereedschap is handig om het gereedschap aan een spijker of schroef in de muur te hangen.

Schuif de schede over de messenbladen zodat deze niet bloot liggen. Bewaar het gereedschap buiten bereik van kinderen. Bewaar het gereedschap op een plaats die niet is blootgesteld aan vocht of regen.

► Fig.31: 1. Gat

## De messenbladen slijpen

**KENNISGEVING:** Als de messenbladen aanzienlijk vervormd zijn door het slijpen, vervangt u de messenbladen door nieuwe.

1. Breng de accu aan op het gereedschap.
2. Schakel het gereedschap in en start het zodat het bovenste messenblad en onderste messenblad versprongen ten opzichte van elkaar staan.  
► Fig.32
3. Schakel het gereedschap uit en verwijder de accu vanaf het gereedschap.
4. Stel de hoek van een vijl in op 35° en slijp het bovenste messenblad vanuit 2 richtingen met de vijl.  
► Fig.33: (1) Vijl (2) 35°

**⚠ LET OP:** Alvorens de messenbladen te slijpen, verzekert u zich ervan dat het gereedschap is uitgeschakeld en de accu vanaf het gereedschap is verwijderd.

5. Leg het gereedschap ondersteboven en verwijder daarna de bramen vanaf de messenbladen met behulp van een wetsteen.  
► Fig.34: 1. Wetsteen
6. Stel de hoek van de vijl in op 35° en slijp het onderste messenblad vanuit 2 richtingen met de vijl.
7. Leg het gereedschap terug in zijn normale stand en verwijder daarna de bramen vanaf de messenbladen met behulp van een wetsteen.

### Smeren met vet

**Smeerinterval:** Elke 50 bedrijfsuren

1. Verwijder de bout uit het smeergat.  
► Fig.35: 1. Bout
2. Verwijder de dop vanaf de smeervethouder. Lijn de opening van de smeervethouder uit met het gat in de afdekking, en draai daarna de smeervethouder om de opening van de smeervethouder in het gat te bevestigen.  
► Fig.36: 1. Smeervethouder 2. Gat
3. Breng het smeervet aan in het smeergat (ongeveer 3 g als richtlijn).
4. Verwijder de smeervethouder.
5. Draai de bout vast.



# PROBLEMEN OPLOSSEN

Alvorens u verzoekt om reparatie, kunt u zelf als volgt het probleem opsporen en oplossen. Als u met een probleem kampt dat in deze handleiding niet wordt beschreven, probeer dan niet het gereedschap te demonteren. Laat reparaties over aan een erkend Makita-servicecentrum, uitsluitend met gebruik van originele Makita-ervangingsonderdelen.

Probleemomschrijving	Waarschijnlijke oorzaak (storing)	Oplossing
Motor loopt niet.	De accu is niet aangebracht.	Breng de accu aan.
	Probleem met de accu (lage spanning).	Laad de accu op. Als het opladen niet helpt, vervangt u de accu.
	De aandrijving werkt niet goed.	Vraag uw plaatselijke, erkende servicecentrum het gereedschap te repareren.
De motor stopt na kort te hebben gedraaid.	De accu is bijna leeg.	Laad de accu op. Als het opladen niet helpt, vervangt u de accu.
	Oververhitting.	Stop het gebruik van het gereedschap en laat het afkoelen.
Het gereedschap bereikt niet het maximale toerental.	De accu is niet goed aangebracht.	Breng de accu aan zoals beschreven in deze gebruiksaanwijzing.
	Het accuvermogen neemt af.	Laad de accu op. Als het opladen niet helpt, vervangt u de accu.
	De aandrijving werkt niet goed.	Vraag uw plaatselijke, erkende servicecentrum het gereedschap te repareren.
De messenbladen bewegen niet: ⇒ stop het gereedschap onmiddellijk!	Er zitten vreemde voorwerpen vast tussen de messenbladen.	Schakel het gereedschap uit en verwijder de accu, en verwijder daarna de vreemde voorwerpen met behulp van een tang of ander gereedschap.
	De aandrijving werkt niet goed.	Vraag uw plaatselijke, erkende servicecentrum het gereedschap te repareren.
Abnormale trillingen: ⇒ stop het gereedschap onmiddellijk!	De messenbladen zijn gebroken, verbogen of versleten.	Vervang de messenbladen.
	De aandrijving werkt niet goed.	Vraag uw plaatselijke, erkende servicecentrum het gereedschap te repareren.
De messenbladen en de motor kunnen niet stoppen: ⇒ verwijder de accu onmiddellijk!	Elektrische storing.	Verwijder de accu en vraag uw plaatselijk erkende servicecentrum het gereedschap te repareren.

## OPTIONELE ACCESSOIRES

**⚠ LET OP:** Deze accessoires of hulpstukken worden aanbevolen voor gebruik met het Makita gereedschap dat in deze gebruiksaanwijzing is beschreven. Bij gebruik van andere accessoires of hulpstukken bestaat het gevaar van persoonlijke letsel. Gebruik de accessoires of hulpstukken uitsluitend voor hun bestemde doel.

Wenst u meer bijzonderheden over deze accessoires, neem dan contact op met het plaatselijke Makita-servicecentrum.

- Messenbladen compleet
- Schede van messenbladen
- Snoeiafvalvanger
- Smeervethouder
- Originele Makita-accu en -acculader

**OPMERKING:** Sommige items op de lijst kunnen zijn inbegrepen in de doos van het gereedschap als standaard toebehoren. Deze kunnen van land tot land verschillen.

## ESPECIFICACIONES

Modelo:	DUH506	DUH606	
Longitud de la cuchilla	500 mm	600 mm	
Carreras por minuto	4.000 min <sup>-1</sup>		
Longitud total (Sin batería)	846 mm	965 mm	
Tensión nominal	CC 18 V		
Peso neto	*1	2,2 kg	2,3 kg
	*2	2,5 - 2,9 kg	2,7 - 3,0 kg

- Debido a nuestro continuado programa de investigación y desarrollo, las especificaciones aquí dadas están sujetas a cambios sin previo aviso.
- Las especificaciones pueden ser diferentes de país a país.
- \*1: Peso sin ningún accesorio ni cartucho(s) de batería
- \*2: El peso puede variar dependiendo del accesorio o los accesorios, incluyendo el cartucho de batería. La combinación menos pesada y la más pesada, de acuerdo con el procedimiento EPTA 01/2014, se muestran en la tabla.

### Cartucho de batería y cargador aplicables

Cartucho de batería	BL1815N / BL1820B / BL1830B / BL1840B / BL1850B / BL1860B
Cargador	DC18RC / DC18RD / DC18RE / DC18SD / DC18SE / DC18SF / DC18SH / DC18WC

- Algunos de los cartuchos de batería y cargadores indicados arriba puede que no estén disponibles dependiendo de su región de residencia.

**⚠ ADVERTENCIA:** Utilice solamente los cartuchos de batería y cargadores listados arriba. La utilización de cualquier otro cartucho de batería y cargador puede ocasionar heridas y/o un incendio.






### Fuente de alimentación conectada por cable recomendada

Unidad portátil de alimentación eléctrica	PDC01
---	-------

- La fuente o fuentes de alimentación conectadas por cable indicadas arriba puede que no estén disponibles dependiendo de su región de residencia.
- Antes de utilizar la fuente de alimentación conectada por cable, lea las instrucciones e indicaciones de precaución sobre ella.

### Símbolos

A continuación se muestran los símbolos que pueden ser utilizados para el equipo. Asegúrese de que entiende su significado antes de utilizar.

	Lea el manual de instrucciones.
	Póngase protección para ojos.
	PELIGRO - Mantenga las manos alejadas de la cuchilla.
	No exponga a la humedad.
	Utilice protección para los ojos y oídos.



No exponer a la lluvia.



Sólo para países de la Unión Europea  
Debido a la presencia de componentes peligrosos en el equipo, el equipo eléctrico y electrónico, los acumuladores y las baterías desechados pueden tener un impacto negativo para el medioambiente y la salud humana.

¡No tire los aparatos eléctricos y electrónicos ni las baterías junto con los residuos domésticos! De conformidad con las Directivas Europeas sobre residuos de aparatos eléctricos y electrónicos y sobre acumuladores y baterías y residuos de acumuladores y baterías, así como la adaptación de las mismas a la ley nacional, el equipo eléctrico, las baterías y los acumuladores desechados deberán ser almacenados por separado y trasladados a un punto distinto de recogida de desechos municipales, que cumpla con los reglamentos sobre protección medioambiental.  
Esto se indica mediante el símbolo de cubo de basura tachado colocado en el equipo.



Nivel de potencia del sonido garantizado de acuerdo con la Directiva UE sobre ruido ambiental.



Nivel de potencia del sonido de acuerdo con el reglamento para el control de ruido en NSW, Australia

## Uso previsto

La herramienta ha sido prevista para recortar setos.

## Ruido

El nivel de ruido A-ponderado típico determinado de acuerdo con la norma EN62841-4-2:

Modelo	Nivel de presión del sonido		Nivel de potencia de sonido garantizado	Nivel de potencia de sonido medido	
	L <sub>pA</sub> (dB(A))	Incertidumbre K (dB(A))	L <sub>WA</sub> (dB(A))	L <sub>WA</sub> (dB(A))	Incertidumbre K (dB(A))
DUH506	80	3	90	88	1,8
DUH606	82	3	92	90	1,9

**NOTA:** El valor (o los valores) de emisión de ruido declarado ha sido medido de acuerdo con un método de prueba estándar y se puede utilizar para comparar una herramienta con otra.

**NOTA:** El valor (o valores) de emisión de ruido declarado también se puede utilizar en una valoración preliminar de exposición.

**⚠ ADVERTENCIA:** Póngase protectores para oídos.

**⚠ ADVERTENCIA:** La emisión de ruido durante la utilización real de la herramienta eléctrica puede variar del valor (o los valores) de emisión declarado dependiendo de las formas en las que la herramienta sea utilizada, especialmente qué tipo de pieza de trabajo se procesa.

**⚠ ADVERTENCIA:** Asegúrese de identificar medidas de seguridad para proteger al operario que estén basadas en una estimación de la exposición en las condiciones reales de utilización (teniendo en cuenta todas las partes del ciclo operativo como las veces cuando la herramienta está apagada y cuando está funcionando en vacío además del tiempo de gatillo).

## Vibración

El valor total de la vibración (suma de vectores triaxiales) determinado de acuerdo con la norma EN62841-4-2:

Modelo	Mango delantero		Mango trasero	
	ah (m/s <sup>2</sup> )	Incertidumbre K (m/s <sup>2</sup> )	ah (m/s <sup>2</sup> )	Incertidumbre K (m/s <sup>2</sup> )
DUH506	2,5 m/s <sup>2</sup> o menos	1,5	2,5 m/s <sup>2</sup> o menos	1,5
DUH606	2,5 m/s <sup>2</sup> o menos	1,5	2,5 m/s <sup>2</sup> o menos	1,5

**NOTA:** El valor (o los valores) total de emisión de vibración declarado ha sido medido de acuerdo con un método de prueba estándar y se puede utilizar para comparar una herramienta con otra.

**NOTA:** El valor (o los valores) total de emisión de vibración declarado también se puede utilizar en una valoración preliminar de exposición.

**⚠ ADVERTENCIA:** La emisión de vibración durante la utilización real de la herramienta eléctrica puede variar del valor (o los valores) de emisión declarado dependiendo de las formas en las que la herramienta sea utilizada, especialmente qué tipo de pieza de trabajo se procesa.

**⚠ ADVERTENCIA:** Asegúrese de identificar medidas de seguridad para proteger al operario que estén basadas en una estimación de la exposición en las condiciones reales de utilización (teniendo en cuenta todas las partes del ciclo operativo como las veces cuando la herramienta está apagada y cuando está funcionando en vacío además del tiempo de gatillo).

## Declaraciones de conformidad

### Para países europeos solamente

Las declaraciones de conformidad están incluidas como Anexo A de este manual de instrucciones.

## ADVERTENCIAS DE SEGURIDAD

### Advertencias de seguridad para herramientas eléctricas en general

**⚠️ ADVERTENCIA** Lea todas las advertencias de seguridad, instrucciones, ilustraciones y especificaciones provistas con esta herramienta eléctrica. Si no sigue todas las instrucciones indicadas abajo, podrá resultar en una descarga eléctrica, un incendio y/o heridas graves.

### Guarde todas las advertencias e instrucciones para futuras referencias.

El término "herramienta eléctrica" en las advertencias se refiere a su herramienta eléctrica de funcionamiento con conexión a la red eléctrica (con cable) o herramienta eléctrica de funcionamiento a batería (sin cable).

### Advertencias de seguridad para el cortasetos inalámbrico

1. **No utilice el cortasetos en malas condiciones meteorológicas, especialmente cuando haya riesgo de relámpagos.** Esto disminuirá el riesgo de sufrir el impacto de un rayo.
2. **Mantenga todos los cables de alimentación y otros cables alejados del área de corte.** Puede haber cables de alimentación u otros cables ocultos en los setos o arbustos y la cuchilla puede cortarlos accidentalmente.
3. **Póngase protectores para oídos.** Un equipo de protección adecuado reducirá el riesgo de pérdida auditiva.
4. **Sujete el cortasetos por las superficies de aislamiento aisladas solamente, porque la cuchilla puede entrar en contacto con cableado oculto.** El contacto de las cuchillas con un cable con corriente hará que la corriente circule por las partes metálicas expuestas del cortasetos y podrá soltar una descarga eléctrica al operario.
5. **Mantenga todas las partes del cuerpo alejadas de la cuchilla. No retire el material cortado o sujete el material que va a cortar cuando las cuchillas estén moviéndose.** Las cuchillas siguen moviéndose después de desactivar el interruptor. Un momento de inatención mientras está operando el cortasetos puede resultar en heridas personales graves.
6. **Cuando retire material atascado o haga el servicio al cortasetos, asegúrese de que todos los interruptores de alimentación están desactivados y la batería ha sido retirada o desconectada.** Una puesta en marcha inesperada del cortasetos mientras retira material atascado o hace el servicio podrá resultar en heridas personales graves.

7. **Transporte el cortasetos agarrándolo por el mango con la cuchilla parada y teniendo cuidado de no activar ningún interruptor de alimentación.** Un transporte correcto del cortasetos disminuirá el riesgo de una puesta en marcha involuntaria que podría resultar en heridas personales con las cuchillas.
8. **Cuando transporte o almacene el cortasetos, utilice siempre la cubierta de las cuchillas.** Un manejo correcto del cortasetos disminuirá el riesgo de heridas personales con las cuchillas.

### Advertencias de seguridad adicionales

#### Preparación

1. **Compruebe los setos y arbustos por si tienen objetos extraños, tal como cercas alambradas o cables ocultos antes de utilizar la herramienta.**
2. **La herramienta no debe ser utilizada por niños o personas jóvenes de menos de 18 años de edad.** Las personas jóvenes de más de 16 años de edad pueden excluirse de esta restricción si están recibiendo preparación bajo la supervisión de un experto.
3. **A los primerizos, un usuario con experiencia deberá enseñarles cómo utilizar la herramienta.**
4. **Utilice la herramienta solamente si se encuentra en buen estado físico.** Si está cansado, su atención se reducirá. Tenga cuidado especial al final de la jornada laboral. Realice todo el trabajo con calma y con cuidado. El usuario es responsable de todos los daños causados a terceros.
5. **No utilice nunca la herramienta cuando esté bajo la influencia de alcohol, drogas o medicamento.**
6. **Los guantes de trabajo de cuero resistente son parte del equipo básico de la herramienta y se deben llevar puestos siempre que se trabaje con ella. Póngase también zapatos robustos con suelas antideslizantes.**
7. **Antes de comenzar el trabajo, compruebe para asegurarse de que la herramienta está en buen estado de funcionamiento y que se puede usar con seguridad. Asegúrese de que los protectores están colocados firmemente. La herramienta no debe ser utilizada a menos que esté totalmente ensamblada.**
8. **Cuando vaya a entregar el cortasetos a otra persona, ponga el cortasetos en el suelo y deje que la otra persona lo recoja después de haberlo soltado usted completamente.** Pasar el cortasetos de la mano de una persona a la de otra, dará lugar a que haya que sujetar el mango delantero y el mango trasero al mismo tiempo, y que el cortasetos pueda ponerse en marcha involuntariamente. Una puesta en marcha involuntaria puede ocasionar heridas graves.

#### Operación

1. **Sujete la herramienta firmemente con ambas manos cuando la esté utilizando.**
2. **La herramienta ha sido prevista para ser utilizada por el operario a nivel del suelo. No utilice la herramienta en escaleras de mano ni en ningún otro apoyo inestable.**
3. **PELIGRO - Mantenga las manos alejadas de la cuchilla.** El contacto con la cuchilla provocará heridas personales graves.

4. No utilice la herramienta en la lluvia ni en condiciones mojadas o muy húmedas. El motor eléctrico no es a prueba de agua.
  5. Asegúrese de que tiene suelo firme antes de comenzar la operación.
  6. No utilice la herramienta sin carga innecesariamente.
  7. Apague la herramienta inmediatamente y retire el cartucho de batería si las cuchillas de tijeras entran en contacto con una valla u otro objeto duro. Compruebe las cuchillas por si están dañadas, y si están dañadas, reemplace las cuchillas inmediatamente.
  8. Antes de comprobar las cuchillas de tijeras, ocuparse de los fallos, o de retirar material enganchado en las cuchillas de tijeras, apague siempre la herramienta y retire el cartucho de batería.
  9. No dirija nunca las cuchillas de tijeras hacia usted u otros.
  10. Si las cuchillas dejan de moverse debido al atasco de objetos extraños entre las cuchillas durante la operación, apague la herramienta y retire el cartucho de batería, y después retire los objetos extraños utilizando implementos como unos alicates. Retirar los objetos extraños con la mano puede ocasionar heridas por el hecho de que las cuchillas pueden moverse como reacción al retirar los objetos extraños.
4. Almacene la herramienta con la cubierta de las cuchillas puesta, en un cuarto seco. Manténgalo alejado del alcance de los niños. No almacene nunca la herramienta en exteriores.
  5. No deseche la batería(s) arrojándola al fuego. La célula puede explotar. Compruebe los códigos locales por si hay instrucciones para el posible desecho especial.
  6. No abra o mutile la batería(s). El electrolito liberado es corrosivo y puede ocasionar daño a los ojos o la piel. Puede ser tóxico si se traga.

## GUARDE ESTAS INSTRUCCIONES.

**⚠ADVERTENCIA:** NO deje que la comodidad o familiaridad con el producto (a base de utilizarlo repetidamente) sustituya la estricta observancia de las normas de seguridad para el producto en cuestión. El MAL USO o el no seguir las normas de seguridad establecidas en este manual de instrucciones podrá ocasionar heridas personales graves.

### Instrucciones de seguridad importantes para el cartucho de batería

#### Seguridad eléctrica y de la batería

1. Evite los entornos peligrosos. No utilice la herramienta en lugares húmedos o mojados ni la esponja a la lluvia. La entrada de agua en la herramienta aumentará el riesgo de que se produzca una descarga eléctrica.
2. No deseche la batería(s) arrojándola al fuego. La célula puede explotar. Compruebe los códigos locales por si hay instrucciones para el posible desecho especial.
3. No abra o mutile la batería(s). El electrolito liberado es corrosivo y puede ocasionar daño a los ojos o la piel. Puede ser tóxico si se traga.
4. No cargue la batería bajo la lluvia, o en lugares mojados.
5. No cargue la batería en exteriores.
6. No maneje el cargador, incluida la clavija del cargador, y los terminales del cargador con las manos mojadas.

#### Mantenimiento y almacenamiento

1. Apague la herramienta y retire el cartucho de batería antes de realizar cualquier trabajo de mantenimiento.
2. Cuando mueva la herramienta a otro lugar, incluyendo durante el trabajo, retire siempre el cartucho de batería y ponga la cubierta de las cuchillas en las cuchillas de tijeras. No transporte ni traslade nunca la herramienta con las cuchillas en movimiento. No agarre nunca las cuchillas con las manos.
3. Limpie la herramienta y especialmente las cuchillas de tijeras después de la utilización, y antes de almacenar la herramienta durante periodos prolongados. Enaceite ligeramente las cuchillas y ponga la cubierta de las cuchillas.

1. Antes de utilizar el cartucho de batería, lea todas las instrucciones e indicaciones de precaución sobre (1) el cargador de baterías, (2) la batería, y (3) el producto con el que se utiliza la batería.
2. No desensamble ni manipule el cartucho de batería. Podrá resultar en un incendio, calor excesivo, o una explosión.
3. Si el tiempo de uso se acorta demasiado, cese la operación inmediatamente. Podría resultar en un riesgo de recalentamiento, posibles quemaduras e incluso una explosión.
4. Si entra electrolito en sus ojos, aclárelos con agua limpia y acuda a un médico inmediatamente. Existe el riesgo de poder perder la vista.
5. No cortocircuite el cartucho de batería:
  - (1) No toque los terminales con ningún material conductor.
  - (2) Evite guardar el cartucho de batería en un cajón junto con otros objetos metálicos, como clavos, monedas, etc.
  - (3) No exponga el cartucho de batería al agua ni a la lluvia.
 Un cortocircuito en la batería puede producir una gran circulación de corriente, un recalentamiento, posibles quemaduras e incluso una rotura de la misma.
6. No guarde ni utilice la herramienta y el cartucho de batería en lugares donde la temperatura pueda alcanzar o exceder los 50 °C.
7. Nunca incinere el cartucho de batería incluso en el caso de que esté dañado seriamente o ya no sirva en absoluto. El cartucho de batería puede explotar si se tira al fuego.

8. **No clave, corte, aplaste, lance, deje caer el cartucho de batería, ni golpee contra un objeto duro el cartucho de batería.** Tal conducta podrá resultar en un incendio, calor excesivo, o una explosión.
9. **No utilice una batería dañada.**
10. **Las baterías de litio-ion contenidas están sujetas a los requisitos de la Legislación para Materiales Peligrosos.**  
Para transportes comerciales, p.ej., por terceras personas y agentes de transportes, se deberán observar requisitos especiales para el empaquetado y etiquetado.  
Para la preparación del artículo que se va a enviar, se requiere consultar con un experto en materiales peligrosos. Por favor, observe también la posibilidad de reglamentos nacionales más detallados.  
Cubra con cinta aislante o enmascare los contactos expuestos y empaquete la batería de tal manera que no se pueda mover alrededor dentro del embalaje.
11. **Para desechar el cartucho de batería, retirelo de la herramienta y deséchelo en un lugar seguro. Siga los reglamentos locales referentes al desecho de la batería.**
12. **Utilice las baterías solamente con los productos especificados por Makita.** La instalación de las baterías en productos no compatibles puede resultar en un incendio, calor excesivo, explosión, o fuga de electrolito.
13. **Si la herramienta no va a ser utilizada durante un periodo de tiempo largo, la batería deberá ser retirada de la herramienta.**
14. **Durante y después de la utilización, el cartucho de batería podrá acumular calor, lo cual puede ocasionar quemaduras o quemaduras de baja temperatura. Preste atención al manejo de cartuchos de batería calientes.**
15. **No toque el terminal de la herramienta inmediatamente después de utilizar, dado que puede calentarse lo suficiente como para ocasionar quemaduras.**
16. **No permita que virutas, polvo, o tierra se adhieran dentro de los terminales, orificios, y ranuras del cartucho de batería.** Esto podría ocasionar calentamiento, que coja fuego, reviente y un mal funcionamiento de la herramienta o el cartucho de batería, resultando en quemaduras o heridas personales.
17. **A menos que la herramienta pueda utilizarse cerca de cables eléctricos de alta tensión, no utilice el cartucho de batería cerca de cables eléctricos de alta tensión.** Podrá resultar en un mal funcionamiento o rotura de la herramienta o el cartucho de batería.
18. **Mantenga la batería alejada de los niños.**

## GUARDE ESTAS INSTRUCCIONES.

**⚠PRECAUCIÓN:** Utilice solamente baterías genuinas de Makita. La utilización de baterías no genuinas de Makita, o baterías que han sido alteradas, puede resultar en una explosión de la batería ocasionando incendios, heridas personales y daños. También anulará la garantía de Makita para la herramienta y el cargador de Makita.

## Consejos para alargar al máximo la vida de servicio de la batería

1. **Cargue el cartucho de batería antes de que se descargue completamente. Detenga siempre la operación y cargue el cartucho de batería cuando note menos potencia en la herramienta.**
2. **No cargue nunca un cartucho de batería que esté completamente cargado. La sobrecarga acortará la vida de servicio de la batería.**
3. **Cargue el cartucho de batería a temperatura ambiente de 10 °C - 40 °C. Si un cartucho de batería está caliente, déjelo enfriar antes de cargarlo.**
4. **Cuando no esté utilizando el cartucho de batería, retirelo de la herramienta o del cargador.**
5. **Cargue el cartucho de batería si no lo utiliza durante un periodo de tiempo prolongado (más de seis meses).**

## DESCRIPCIÓN DEL FUNCIONAMIENTO

**⚠PRECAUCIÓN:** Asegúrese siempre de que la herramienta está apagada y el cartucho de batería retirado antes de realizar cualquier ajuste o comprobación en la herramienta.

## Instalación o extracción del cartucho de batería

**⚠PRECAUCIÓN:** Apague siempre la herramienta antes de instalar o retirar el cartucho de batería.

**⚠PRECAUCIÓN:** Sujete la herramienta y el cartucho de batería firmemente cuando instale o retire el cartucho de batería. Si no sujeta la herramienta y el cartucho de batería firmemente podrán caérsele de las manos y resultar en daños a la herramienta y al cartucho de batería y heridas personales.

► Fig.1: 1. Indicador rojo 2. Botón 3. Cartucho de batería

Para retirar el cartucho de batería, deslícelo de la herramienta mientras desliza el botón de la parte frontal del cartucho.

Para instalar el cartucho de batería, alinee la lengüeta del cartucho de batería con la ranura del alojamiento y deslícelo al interior hasta encajarlo en su sitio. Insértelo por completo hasta que se bloquee en su sitio con un pequeño chasquido. Si puede ver el indicador rojo como se muestra en la figura, no estará bloqueado completamente.

**⚠PRECAUCIÓN:** Instale siempre el cartucho de batería completamente hasta que no pueda verse el indicador rojo. En caso contrario, podrá caerse accidentalmente de la herramienta y ocasionarle heridas a usted o a alguien que esté cerca de usted.

**⚠PRECAUCIÓN:** No instale el cartucho de batería empleando fuerza. Si el cartucho no se desliza al interior fácilmente, será porque no está siendo insertado correctamente.

## Modo de indicar la capacidad de batería restante

### Solamente para cartuchos de batería con el indicador

Presione el botón de comprobación en el cartucho de batería para indicar la capacidad de batería restante. Las lámparas indicadoras se iluminan durante unos pocos segundos.

► **Fig.2:** 1. Lámparas indicadoras 2. Botón de comprobación

Lámparas indicadoras			Capacidad restante
Iluminada	Apagada	Parpadeando	
■	□	▧	75% a 100%
■ ■ ■ ■			
■ ■ ■ ■	□		50% a 75%
■ ■ ■ ■	□ □		25% a 50%
■ ■ ■ ■	□ □ □ □		0% a 25%
▧	□ □ □ □		Cargue la batería.
■ ■ ■ ■	□ □ □ □		Puede que la batería no esté funcionando bien.
	□ □ ■ ■		

**NOTA:** Dependiendo de las condiciones de utilización y de la temperatura ambiente, la indicación podrá variar ligeramente de la capacidad real.

**NOTA:** La primera lámpara indicadora (extremo izquierdo) parpadeará cuando el sistema de protección de la batería esté funcionando.

## Sistema de protección de la herramienta / batería

**AVISO:** Dependiendo de las condiciones de utilización, la herramienta se parará automáticamente sin ninguna indicación si las ramas o los desechos se enredan en la herramienta. En este caso, apague la herramienta y retire el cartucho de batería, y después retire las ramas o los restos enredados utilizando utensilios tales como alicates. Después de retirar las ramas o los restos, instale el cartucho de batería y encienda la herramienta otra vez.

La herramienta está equipada con un sistema de protección de la herramienta/batería. Este sistema corta automáticamente la alimentación al motor para alargar la vida de servicio de la herramienta y la batería. La herramienta se detendrá automáticamente durante la operación si la herramienta o la batería es puesta en una de las condiciones siguientes:

## Protección contra sobrecarga

Cuando la herramienta o la batería sea operada de una manera que le haga absorber una corriente anormalmente alta, la herramienta se detendrá automáticamente. En esta situación, apague la herramienta y detenga la aplicación que ocasiona la sobrecarga de la herramienta. Después encienda la herramienta para volver a empezar.

## Protección contra el recalentamiento

Cuando la herramienta o la batería se recalienta, la herramienta se detiene automáticamente. En este caso, deje que la herramienta y la batería se enfríen antes de encender la herramienta otra vez.

## Protección contra descarga excesiva

Cuando la capacidad de batería no es suficiente, la herramienta se detiene automáticamente. En este caso, retire la batería de la herramienta y cargue la batería.

## Protecciones contra otras causas

También hay un sistema de protección diseñado para otras causas que pueden dañar la herramienta y permite a la herramienta detenerse automáticamente. Realice todos los pasos siguientes para despejar las causas, cuando la herramienta haya sido llevada a una pausa temporal o a una parada en la operación.

1. Apague la herramienta, y después enciéndala otra vez para volver a empezar.
2. Cargue la(s) batería(s) o reemplácela(s) con una batería(s) recargada(s).
3. Deje que la herramienta y la(s) batería(s) se enfríen.

Si no se nota una mejora al restablecer el sistema de protección, póngase en contacto con el centro de servicio Makita local.

**AVISO:** Si la herramienta se detiene debido a una causa no descrita arriba, consulte la sección para solución de problemas.

## Accionamiento del interruptor

**ADVERTENCIA:** Para su seguridad, esta herramienta está equipada con una palanca interruptor que evita que la herramienta se ponga en marcha de forma no intencionada. No utilice NUNCA la herramienta si se pone en marcha cuando usted simplemente aprieta el gatillo interruptor sin presionar la palanca interruptor. Traiga la herramienta a nuestro centro de servicio autorizado para hacer la reparación apropiada ANTES de seguir utilizándola.

**ADVERTENCIA:** No sujete NUNCA con cinta ni anule la finalidad y la función de la palanca interruptor.

**ADVERTENCIA:** Antes de instalar el cartucho de batería en la herramienta, compruebe siempre para ver que el gatillo interruptor y la palanca interruptor se accionan debidamente y que vuelven a la posición "desactivada" cuando se liberan. La utilización de una herramienta con un interruptor que no se acciona debidamente puede dar lugar a la pérdida de control y heridas personales graves.



**⚠PRECAUCIÓN:** No transporte nunca la herramienta con el dedo puesto en el interruptor. La herramienta podrá ponerse en marcha involuntariamente y ocasionar heridas.

Para poner en marcha la herramienta, sujete el mango delantero al mismo tiempo que presiona la palanca interruptor y apriete el gatillo interruptor. Para parar la herramienta, suelte el gatillo interruptor o la palanca interruptor.

► **Fig.3:** 1. Mango delantero 2. Palanca interruptor 3. Gatillo interruptor

## Lámpara de indicación

► **Fig.4:** 1. Lámpara de indicación

La lámpara de indicación parpadeará o se encenderá cuando la batería tenga poca carga o la herramienta esté sobrecargada. Consulte la tabla siguiente para ver el estado y la acción a tomar.

Lámpara de indicación	Estado	Acción a tomar
La lámpara parpadea en rojo.	Es poca la batería restante.	Recargue la batería, o reemplácela con una cargada.
La lámpara se ilumina en rojo.	No queda batería restante.	Recargue la batería, o reemplácela con una cargada.
	La herramienta se ha parado debido a una sobrecarga.	Apague la herramienta, y retire la causa de la sobrecarga.
	La herramienta se ha parado debido a un recalentamiento.	Apague la herramienta, y deje que la herramienta y la batería se enfríen.

**NOTA:** El momento en el que la lámpara de indicación parpadea o se ilumina varía según la temperatura alrededor del área de trabajo y las condiciones del cartucho de batería.

## Función electrónica

La herramienta está equipada con funciones electrónicas para facilitar la operación.

- **Control de velocidad constante**  
La función de control de velocidad brinda la velocidad de rotación constante independientemente de las condiciones de carga.
- **Freno eléctrico**  
Esta herramienta está equipada con un freno eléctrico. Si la herramienta consistentemente deja de parar rápidamente las cuchillas de tijeras después de liberar el gatillo interruptor, haga que la herramienta sea servida en un centro de servicio autorizado Makita.
- **Función de prevención de reinicio de puesta en marcha accidental**  
Aunque instale el cartucho de batería mientras aprieta el gatillo interruptor, la herramienta no se pondrá en marcha. Para poner en marcha la herramienta, primero suelte el gatillo interruptor, y después apriete el gatillo interruptor.

## MONTAJE

**⚠PRECAUCIÓN:** Asegúrese siempre de que la herramienta está apagada y el cartucho de batería retirado antes de realizar cualquier trabajo en la herramienta.

**⚠PRECAUCIÓN:** Cuando reemplace las cuchillas de tijeras, póngase siempre guantes de forma que sus manos no entren en contacto directamente con las cuchillas de tijeras.

**AVISO:** Cuando reemplace las cuchillas de tijeras, no limpie la grasa del engranaje y el cigüeñal.

## Instalación o desmontaje de las cuchillas de tijeras

**⚠PRECAUCIÓN:** Coloque la cubierta de las cuchillas antes de retirar o instalar las cuchillas de tijeras.

Puede instalar cuchillas de tijeras de 500 mm o 600 mm en su herramienta.

1. Coloque la cubierta de las cuchillas en las cuchillas de tijeras.

► **Fig.5:** 1. Cubierta de las cuchillas

2. Ponga la herramienta al revés, después retire los 6 pernos, y después retire la cubierta y la placa.

► **Fig.6:** 1. Perno 2. Cubierta 3. Placa

**NOTA:** La placa puede permanecer en la cubierta.

3. Gire el cigüeñal con el destornillador de punta plana de manera que los 2 agujeros queden perpendiculares a las cuchillas de tijeras.

► **Fig.7:** 1. Cigüeñal 2. Agujero

4. Retire 2 pernos, la almohadilla de fieltro y los casquillos, y después retire las cuchillas de tijeras.

► **Fig.8:** 1. Almohadilla de fieltro 2. Perno 3. Casquillo 4. Cuchillas de tijeras

5. Retire la cubierta de las cuchillas, y después colóquela en las cuchillas de tijeras nuevas.

► **Fig.9:** 1. Cubierta de las cuchillas

6. Alinee los bordes traseros de las cuchillas de tijeras como se muestra en la figura.

► **Fig.10:** 1. Borde trasero

7. Deslice las cuchillas de tijeras ligeramente como se muestra en la figura, y después coloque los casquillos en las cuchillas de tijeras.

► **Fig.11:** 1. Casquillo

8. Deslice la cubierta de las cuchillas ligeramente hacia la punta de las cuchillas de tijeras, y después coloque las cuchillas de tijeras en la herramienta.

► **Fig.12:** 1. Cuchillas de tijeras

**AVISO:** Aplique una pequeña cantidad de grasa a la periferia interior del agujero de las cuchillas de tijeras.

**AVISO:** Tenga cuidado de no perder los casquillos.



9. Deslice las cuchillas de tijeras y los casquillos de manera que los agujeros de los casquillos queden alineados con los agujeros de la herramienta.

► **Fig.13:** 1. Agujero de la herramienta 2. Agujero del casquillo

10. Apriete los pernos para fijar las cuchillas de tijeras.

► **Fig.14:** 1. Perno

11. Coloque la almohadilla de fieltro en las cuchillas de tijeras.

► **Fig.15:** 1. Almohadilla de fieltro

12. Coloque la placa.

► **Fig.16:** 1. Placa

13. Coloque la cubierta, y después apriete los 6 pernos.

► **Fig.17:** 1. Perno 2. Cubierta

**AVISO:** Si las cuchillas de tijeras no se mueven suavemente, las cuchillas de tijeras no estarán acopladas debidamente con el cigüeñal. Instale las cuchillas de tijeras otra vez.

**AVISO:** Si hay otras piezas desgastadas aparte de las cuchillas de tijeras, tal como el cigüeñal, pregunte en centros de servicio autorizados de Makita por el reemplazo de piezas o reparaciones.

## Instalación o desmontaje del receptor de virutas

### Accesorio opcional

**PRECAUCIÓN:** Cuando instale o retire el receptor de virutas, póngase siempre guantes de manera que sus manos no entren en contacto directamente con las cuchillas de tijeras.

**AVISO:** La cubierta de las cuchillas no se puede instalar si el receptor de virutas está instalado en la herramienta. Antes de transportar o almacenar la herramienta, desinstale el receptor de virutas y después instale la cubierta de las cuchillas para evitar el contacto con las cuchillas.

**AVISO:** Asegúrese de retirar la cubierta de las cuchillas antes de instalar el receptor de virutas.

El receptor de virutas recoge las hojas descartadas y hace que la limpieza después sea mucho más fácil. Se puede instalar en cualquiera de los lados de la herramienta.

1. Alinee los agujeros del receptor de virutas con los tornillos de las cuchillas de tijeras.

► **Fig.18:** 1. Tornillo

2. Enganche las pestañas del receptor de virutas en la ranura de las cuchillas de tijeras.

► **Fig.19:** 1. Enganche 2. Ranura

3. Presione las palancas del receptor de virutas, y después enganche las pestañas del otro lado en la ranura de las cuchillas de tijeras.

► **Fig.20:** 1. Palanca

Para retirar el receptor de virutas, presione las palancas para liberar las pestañas.

► **Fig.21:** 1. Palanca

**AVISO:** No intente nunca retirar el receptor de virutas haciendo fuerza excesiva con sus ganchos bloqueados en las cuchillas de tijeras.

## OPERACIÓN

**ADVERTENCIA:** Mantenga las manos alejadas de las cuchillas de tijeras.

**PRECAUCIÓN:** Evite operar la herramienta en tiempo muy cálido tanto como sea práctico. Cuando utilice la herramienta, tenga cuidado de su condición física.

**PRECAUCIÓN:** Tenga cuidado de no hacer contacto accidental con una valla de metal u otros objetos duros mientras recorta. Las cuchillas de tijeras podrán romperse y ocasionar heridas.

**PRECAUCIÓN:** Tenga cuidado de no permitir que las cuchillas de tijeras entren en contacto con el suelo. La herramienta podrá recular y ocasionar heridas.

**PRECAUCIÓN:** Recortar con un cortasetos donde no se alcanza, particularmente desde una escalera, es extremadamente peligroso. No trabaje mientras está subido en cualquier cosa tambaleante o inestable.

**AVISO:** No intente cortar ramas más gruesas de 10 mm de diámetro con la herramienta. Corte las ramas a 10 cm por debajo de la altura de corte utilizando cortadores de ramas antes de utilizar la herramienta.

► **Fig.22:** (1) Altura de corte (2) 10 cm

**AVISO:** No tale árboles muertos u objetos duros similares. Si lo hace podrá dañar la herramienta.

**AVISO:** No recorte hierba o maleza mientras utiliza las cuchillas de tijeras. Las cuchillas de tijeras podrán enredarse en la hierba o maleza.

Sujete la herramienta con ambas manos, sujete el mango delantero al mismo tiempo que presiona la palanca interruptor y apriete el gatillo interruptor, y después mueva la herramienta hacia adelante.

► **Fig.23**

Para operación básica, incline las cuchillas de tijeras hacia la dirección de recorte y muévalas con calma y despacio a una velocidad de 3 a 4 segundos por metro.

► **Fig.24**

Para cortar uniformemente la parte superior de un seto, ate una cuerda a la altura deseada y recorte a lo largo de ella.

► **Fig.25**

Si el receptor de virutas está colocado en las cuchillas de tijeras, recogerá las hojas eliminadas y hará que la limpieza después sea mucho más fácil.

► **Fig.26**

Para cortar el costado de un seto uniformemente, corte desde abajo hacia arriba.

► **Fig.27**

Cuando recorte para hacer una forma redonda (recorte de boj o rododendro, etc.), recorte desde la raíz hacia la parte superior para obtener un bonito acabado.

► **Fig.28**

## MANTENIMIENTO

**⚠ PRECAUCIÓN:** Asegúrese siempre de que la herramienta está apagada y de que el cartucho de batería está retirado antes de intentar hacer una inspección o mantenimiento.

Para mantener la SEGURIDAD y FIABILIDAD del producto, las reparaciones, y cualquier otra tarea de mantenimiento o ajuste deberán ser realizadas en centros de servicio o de fábrica autorizados por Makita, empleando siempre repuestos Makita.

### Limpeza de la herramienta

Limpie la herramienta quitando el polvo con un paño seco o uno sumergido en agua jabonosa y escurrido.

**AVISO:** No utilice nunca gasolina, bencina, disolvente, alcohol o similares. Podría producir descoloración, deformación o grietas.

### Mantenimiento de las cuchillas de tijeras

Antes de la operación o una vez por hora durante la operación, aplique aceite de baja viscosidad (aceite para máquinas, o aceite de lubricación de tipo aerosol) a las cuchillas de tijeras.

► Fig.29

Después de la operación, retire el polvo de ambas caras de las cuchillas de tijeras con un cepillo de alambres, limpie las cuchillas con un paño y después aplique aceite de baja viscosidad (aceite para máquinas, o aceite de lubricación de tipo aerosol) a las cuchillas de tijeras.

► Fig.30

**AVISO:** No lave las cuchillas de tijeras en agua. Si lo hace podrá ocasionar oxidación o daño a la herramienta.

**AVISO:** La suciedad y la corrosión ocasionan una fricción excesiva de la cuchilla y acortan el tiempo de operación por cada carga de batería.

### Almacenamiento

El agujero para gancho en la parte inferior de la herramienta resulta útil para colgar la herramienta en un clavo o tornillo en la pared.

Coloque la cubierta de las cuchillas en las cuchillas de tijeras de forma que las cuchillas no queden expuestas. Guarde la herramienta alejada del alcance de los niños. Almacene la herramienta en un lugar no expuesto a la humedad o la lluvia.

► Fig.31: 1. Agujero

## Afilado de las cuchillas de tijeras

**AVISO:** Si las cuchillas de tijeras se han deformado considerablemente debido al afilado, reemplazelas con unas nuevas.

1. Instale el cartucho de batería en la herramienta.
2. Encienda y ponga en marcha la herramienta de manera que la cuchilla superior y la cuchilla inferior estén posicionadas alternativamente.  
► Fig.32
3. Apague la herramienta y retire el cartucho de batería de la herramienta.
4. Ajuste el ángulo de la lima a 35°, y afile la cuchilla superior desde 2 direcciones con la lima.  
► Fig.33: (1) Lima (2) 35°

**⚠ PRECAUCIÓN:** Antes de afilar las cuchillas de tijeras, asegúrese de que la herramienta está apagada y el cartucho de batería retirado de la herramienta.

5. Coloque la herramienta cabeza abajo, y después retire las rebabas de las cuchillas de tijeras con la piedra de acondicionamiento.  
► Fig.34: 1. Piedra de acondicionamiento
6. Ajuste el ángulo de la lima a 35°, y afile la cuchilla inferior desde 2 direcciones con la lima.
7. Vuelva a colocar la herramienta en la posición normal, y después retire las rebabas de las cuchillas de tijeras con la piedra de acondicionamiento.

## Lubricación con grasa

**Intervalo de lubricación:** Cada 50 horas de operación

1. Retire el perno del agujero para lubricación.  
► Fig.35: 1. Perno
2. Retire la tapa del tubo de grasa. Alinee la salida del tubo de grasa con el agujero de la cubierta, y después gire el tubo de grasa para colocar la salida del tubo de grasa en el agujero.  
► Fig.36: 1. Tubo de grasa 2. Agujero
3. Aplique la grasa a la herramienta (aproximadamente 3 g a modo de guía).
4. Retire el tubo de grasa.
5. Apriete el perno.

# SOLUCIÓN DE PROBLEMAS

Antes de solicitar reparaciones, realice su propia inspección en primer lugar. Si encuentra un problema que no está explicado en el manual, no intente desmontar la herramienta. En su lugar, pregunte en los centros de servicio autorizados Makita, utilizando siempre piezas de recambio Makita para las reparaciones.

Estado de anomalía	Causa probable (mal funcionamiento)	Remedio
El motor no se pone en marcha.	El cartucho de batería no está instalado.	Instale el cartucho de batería.
	Problema de batería (poca tensión)	Recargue la batería. Si la recarga no se realiza efectivamente, reemplace la batería.
	El sistema de accionamiento no funciona correctamente.	Pida a su centro de servicio autorizado local que le hagan la reparación.
El motor se para después de usarlo un poco.	El nivel de carga de la batería es bajo.	Recargue la batería. Si la recarga no se realiza efectivamente, reemplace la batería.
	Recalentamiento.	Deje de utilizar la herramienta para permitir que se enfríe.
La herramienta no alcanza el máximo de RPM.	La batería está instalada incorrectamente.	Instale el cartucho de batería como se describe en este manual.
	La potencia de la batería está cayendo.	Recargue la batería. Si la recarga no se realiza efectivamente, reemplace la batería.
	El sistema de accionamiento no funciona correctamente.	Pida a su centro de servicio autorizado local que le hagan la reparación.
Las cuchillas de tijeras no se mueven. ⇒ ¡detenga la máquina inmediatamente!	Hay objetos extraños enganchados entre las cuchillas de tijeras.	Apague la herramienta y retire el cartucho de batería, y después retire los objetos extraños utilizando utensilios como alicates.
	El sistema de accionamiento no funciona correctamente.	Pida a su centro de servicio autorizado local que le hagan la reparación.
Vibración anormal: ⇒ ¡detenga la máquina inmediatamente!	Las cuchillas de tijeras están rotas, torcidas o gastadas.	Reemplace las cuchillas de tijeras.
	El sistema de accionamiento no funciona correctamente.	Pida a su centro de servicio autorizado local que le hagan la reparación.
Las cuchillas de tijeras y el motor no se pueden parar: ⇒ ¡Retire la batería inmediatamente!	Mal funcionamiento eléctrico.	Retire la batería y pida a su centro de servicio autorizado local que le hagan la reparación.

## ACCESORIOS OPCIONALES

**⚠PRECAUCIÓN:** Estos accesorios o aditamentos están recomendados para su uso con la herramienta Makita especificada en este manual. El uso de cualquier otro accesorio o aditamento puede suponer un riesgo de heridas personales. Utilice el accesorio o aditamento solamente con la finalidad indicada para el mismo.

Si necesita cualquier ayuda para más detalles en relación con estos accesorios, pregunte al centro de servicio Makita local.

- Conjunto de cuchilla de tijeras
- Cubierta de las cuchillas de tijeras
- Recibidor de virutas
- Tubo de grasa
- Batería y cargador genuinos de Makita

**NOTA:** Algunos elementos de la lista podrán estar incluidos en el paquete de la herramienta como accesorios estándar. Pueden variar de un país a otro.

## ESPECIFICAÇÕES

Modelo:	DUH506	DUH606	
Comprimento da lâmina	500 mm	600 mm	
Cursos por minuto	4.000 min <sup>-1</sup>		
Comprimento total (Sem bateria)	846 mm	965 mm	
Tensão nominal	CC 18 V		
Peso líquido	*1	2,2 kg	2,3 kg
	*2	2,5 - 2,9 kg	2,7 - 3,0 kg

- Devido a um programa contínuo de pesquisa e desenvolvimento, estas especificações estão sujeitas a alteração sem aviso prévio.
  - As especificações podem variar de país para país.
- \*1: Peso sem quaisquer acessórios ou bateria(s)  
 \*2: O peso poderá diferir em função do(s) acessório(s), incluindo a bateria. As combinações mais leve e mais pesada, de acordo com o Procedimento EPTA 01/2014, são apresentadas na tabela.

### Bateria e carregador aplicável

Bateria	BL1815N / BL1820B / BL1830B / BL1840B / BL1850B / BL1860B
Carregador	DC18RC / DC18RD / DC18RE / DC18SD / DC18SE / DC18SF / DC18SH / DC18WC

- Algumas das baterias e carregadores listados acima poderão não estar disponíveis, dependendo da sua região de residência.

**AVISO:** Utilize apenas as baterias e carregadores listados acima. A utilização de quaisquer outras baterias e carregadores pode causar ferimentos e/ou um incêndio.

### Fonte de alimentação ligada por fio recomendada

Adaptador de baterias tipo mochila	PDC01
------------------------------------	-------

- A(s) fonte(s) de alimentação ligada(s) por fio listada(s) acima pode(m) não estar disponível(eis) dependendo da sua região de residência.
- Antes de utilizar a fonte de alimentação ligada por fio, leia as instruções e etiquetas de precaução na mesma.

### Símbolos

A seguir são apresentados os símbolos que podem ser utilizados para o equipamento. Certifique-se de que compreende o seu significado antes da utilização.

	Leia o manual de instruções.
	Use proteção para os olhos.
	PERIGO - Mantenha as mãos afastadas da lâmina.
	Não exponha à humidade.
	Utilizar proteção ocular e auditiva.
	Não exponha à chuva.



Apenas para países da UE  
 Devido à presença de componentes perigosos no equipamento, os resíduos de equipamentos elétricos e eletrónicos, acumuladores e baterias podem ter um impacto negativo no meio ambiente e na saúde humana.  
 Não elimine aparelhos elétricos e eletrónicos ou baterias juntamente com resíduos domésticos!  
 De acordo com a Diretiva europeia relativa aos resíduos de equipamentos elétricos e eletrónicos, acumuladores e baterias, bem como a respetiva adaptação à legislação nacional, os resíduos de equipamentos elétricos e eletrónicos, acumuladores e baterias devem ser armazenados separadamente e entregues num ponto de recolha separado para resíduos municipais, que opere de acordo com os regulamentos de proteção ambiental.  
 Tal é indicado pelo símbolo de contentor de lixo com rodas barrado com uma cruz colocado no equipamento.



Nível de potência sonora garantido de acordo com a Diretiva de ruído ambiente da UE.



Nível de potência sonora de acordo com o Regulamento de controlo do ruído de NSW da Austrália

## Utilização a que se destina

A ferramenta destina-se a aparar sebes.

## Ruído

A característica do nível de ruído A determinado de acordo com a EN62841-4-2:

Modelo	Nível de pressão sonora		Nível garantido de potência sonora	Nível medido de potência sonora	
	$L_{pA}$ (dB(A))	K de incerteza (dB(A))	$L_{wA}$ (dB(A))	$L_{wA}$ (dB(A))	K de incerteza (dB(A))
DUH506	80	3	90	88	1,8
DUH606	82	3	92	90	1,9

**NOTA:** O(s) valor(es) da emissão de ruído indicado(s) foi medido de acordo com um método de teste padrão e pode ser utilizado para comparar duas ferramentas.

**NOTA:** O(s) valor(es) da emissão de ruído indicado(s) pode também ser utilizado na avaliação preliminar da exposição.

**AVISO:** Utilize protetores auriculares.

**AVISO:** A emissão de ruído durante a utilização real da ferramenta elétrica pode diferir do(s) valor(es) indicado(s), dependendo das formas como a ferramenta é utilizada, especialmente o tipo de peça de trabalho que é processada.

**AVISO:** Certifique-se de identificar as medidas de segurança para proteção do operador que sejam baseadas em uma estimativa de exposição em condições reais de utilização (considerando todas as partes do ciclo de operação, tal como quando a ferramenta está desligada e quando está a funcionar em marcha lenta além do tempo de acionamento).

## Vibração

Valor total da vibração (soma vetorial tri-axial) determinado de acordo com a EN62841-4-2:

Modelo	Pega frontal		Pega traseira	
	ah (m/s <sup>2</sup> )	K de incerteza (m/s <sup>2</sup> )	ah (m/s <sup>2</sup> )	K de incerteza (m/s <sup>2</sup> )
DUH506	2,5 m/s <sup>2</sup> ou menos	1,5	2,5 m/s <sup>2</sup> ou menos	1,5
DUH606	2,5 m/s <sup>2</sup> ou menos	1,5	2,5 m/s <sup>2</sup> ou menos	1,5

**NOTA:** O(s) valor(es) total(ais) de vibração indicado(s) foi medido de acordo com um método de teste padrão e pode ser utilizado para comparar duas ferramentas.

**NOTA:** O(s) valor(es) total(ais) de vibração indicado(s) pode também ser utilizado na avaliação preliminar da exposição.

**AVISO:** A emissão de vibração durante a utilização real da ferramenta elétrica pode diferir do(s) valor(es) indicado(s), dependendo das formas como a ferramenta é utilizada, especialmente o tipo de peça de trabalho que é processada.

**AVISO:** Certifique-se de identificar as medidas de segurança para proteção do operador que sejam baseadas em uma estimativa de exposição em condições reais de utilização (considerando todas as partes do ciclo de operação, tal como quando a ferramenta está desligada e quando está a funcionar em marcha lenta além do tempo de acionamento).

## Declarações de conformidade

### Apenas para os países europeus

As Declarações de conformidade estão incluídas no Anexo A deste manual de instruções.

## AVISOS DE SEGURANÇA

### Avisos gerais de segurança para ferramentas elétricas

**AVISO** Leia todos os avisos de segurança, instruções, ilustrações e especificações fornecidos com esta ferramenta elétrica. O incumprimento de todas as instruções abaixo enumeradas pode resultar em choque elétrico, incêndio e/ou ferimentos graves.

### Guarde todos os avisos e instruções para futuras referências.

O termo "ferramenta elétrica" nos avisos refere-se às ferramentas elétricas ligadas à corrente elétrica (com cabo) ou às ferramentas elétricas operadas por meio de bateria (sem cabo).

### Avisos de Segurança para o Aparador De Cerca Viva a Bateria

1. **Não utilize o aparador de cerca viva em más condições atmosféricas, especialmente quando existe o risco de relâmpagos.** Isto reduz o risco de ser atingido por um relâmpago.
2. **Mantenha todos os cabos de alimentação afastados da área de corte.** Os cabos de alimentação podem estar ocultos em sebes ou arbustos e podem ser acidentalmente cortados pela lâmina.
3. **Utilize proteção auditiva.** Um equipamento de proteção adequado reduz o risco de perda auditiva.
4. **Segure o aparador de cerca viva apenas pelas superfícies de agarrar isoladas, porque a lâmina poderá tocar em fios ocultos.** O contacto das lâminas com um fio sob tensão pode colocar sob tensão as peças metálicas expostas do aparador de cerca viva e pode provocar um choque elétrico no operador.
5. **Mantenha todas as partes do corpo afastadas da lâmina. Não remova material cortado nem segure material a cortar quando as lâminas estiverem em movimento.** As lâminas continuam a mover-se depois de desligar o interruptor. Um momento de desatenção durante a operação do aparador de cerca viva pode resultar em ferimentos pessoais graves.
6. **Quando desimpedir material encravado ou efetuar a manutenção do aparador de cerca viva, certifique-se de que todos os interruptores de alimentação estão desligados e que o conjunto de baterias foi removido ou está desligado.** A atuação inesperada do aparador de cerca viva, ao desimpedir material encravado ou efetuar a manutenção, pode resultar em ferimentos pessoais graves.

7. **Transporte o aparador de cerca viva segurando a pega com a lâmina imobilizada e tendo cuidado para não operar qualquer interruptor de alimentação.** O transporte apropriado do aparador de cerca viva reduz o risco de arranque inadvertido e consequentes ferimentos pessoais resultantes das lâminas.
8. **Quando transportar ou guardar o aparador de cerca viva, utilize sempre a tampa da lâmina.** O manuseamento apropriado do aparador de cerca viva reduz o risco de ferimentos pessoais resultantes das lâminas.

### Avisos de segurança adicionais

#### Preparação

1. **Verifique as sebes e os arbustos quanto a objetos estranhos, tais como cercas de arame ou fios ocultos antes de utilizar a ferramenta.**
2. **A ferramenta não deve ser utilizada por crianças ou jovens com idade inferior a 18 anos.** Os jovens com mais de 16 anos poderão estar isentos desta restrição se estiverem a receber formação sob a supervisão de um utilizador experiente.
3. **As pessoas que utilizam a ferramenta pela primeira vez devem ser instruídas por um utilizador experiente capaz de lhes demonstrar como utilizar a ferramenta.**
4. **Utilize a ferramenta apenas se estiver em boas condições físicas.** Se estiver cansado, a sua atenção será reduzida. Tenha especial atenção no final de um dia de trabalho. Realize todo o trabalho com calma e cuidado. O utilizador é responsável por todos os danos causados a terceiros.
5. **Nunca utilize a ferramenta se estiver sob a influência de álcool, drogas ou medicamentos.**
6. **As luvas de trabalho de couro robusto fazem parte do equipamento básico da ferramenta e têm de ser sempre usadas quando trabalhar com a mesma. Use sempre calçado robusto com solas antidesslizantes.**
7. **Antes de iniciar o trabalho, certifique-se de que a ferramenta apresenta condições de trabalho adequadas e seguras. Assegure que os resguardos estão corretamente instalados. A ferramenta não deve ser utilizada se não estiver completamente montada.**
8. **Quando passar o aparador de cerca viva a outra pessoa, coloque primeiro o aparador de cerca viva no solo e permita apenas que a outra pessoa pegue no aparador de cerca viva após tirar por completo a sua mão.** Passar o aparador de cerca viva de mão em mão faz com que a pega dianteira e a pega traseira sejam agarradas ao mesmo tempo e, em seguida, o aparador de cerca viva arranca acidentalmente. O arranque acidental pode provocar ferimentos graves.

#### Operação

1. **Segure a ferramenta firmemente com as duas mãos durante a sua utilização.**
2. **A ferramenta destina-se a ser utilizada pelo operador ao nível do chão. Não utilize a ferramenta em escadas ou em qualquer outro apoio instável.**
3. **PERIGO - Mantenha as mãos afastadas da lâmina.** O contacto com a lâmina resultará em lesões físicas graves.

4. Não utilize a ferramenta sob precipitação ou em condições chuvosas ou de muita humidade. O motor elétrico não é estanque.
5. Certifique-se de que usou a uma posição segura antes de iniciar a operação.
6. Não opere a ferramenta sem carga desnecessariamente.
7. Desligue imediatamente a ferramenta e retire a bateria se as lâminas de corte entrarem em contacto com uma cerca ou outro objeto duro. Verifique se as lâminas estão danificadas e, caso se encontrem danificadas, substitua-as imediatamente.
8. Antes de verificar as lâminas de corte, reparar avarias ou remover material preso nas lâminas de corte, desligue sempre a ferramenta e remova a bateria.
9. Nunca aponte as lâminas de corte na sua direção ou na direção de terceiros.
10. Se as lâminas pararem devido ao encravamento de objetos estranhos entre as lâminas durante o funcionamento, desligue a ferramenta e remova a bateria e, em seguida, remova os objetos estranhos utilizando ferramentas, tais como um alicate. A remoção manual dos objetos estranhos pode causar ferimentos, uma vez que as lâminas podem mover-se como reação à remoção dos objetos estranhos.

## Segurança elétrica e da bateria

1. Evite ambientes perigosos. Não utilize a ferramenta em locais húmidos ou molhados, nem a exponha à chuva. A água que entra na ferramenta aumenta o risco de choque elétrico.
2. Não elimine a(s) bateria(s) no fogo. A célula pode explodir. Verifique com os códigos locais as possíveis instruções de eliminação especiais.
3. Não abra nem mutile a(s) bateria(s). O eletrólito libertado é corrosivo e pode provocar danos nos olhos ou na pele. Pode ser tóxico se for engolido.
4. Não carregue a bateria sob chuva ou em locais húmidos.
5. Não carregue a bateria ao ar livre.
6. Não toque no carregador, incluindo a ficha do carregador e os terminais do carregador, com as mãos molhadas.

## Manutenção e armazenamento

1. Desligue a ferramenta e remova a bateria antes de realizar qualquer trabalho de manutenção.
2. Quando mover a ferramenta para outro local, incluindo durante o trabalho, remova sempre a bateria e coloque a tampa da lâmina nas lâminas de corte. Nunca mova nem transporte a ferramenta com as lâminas em funcionamento. Nunca agarre as lâminas com as mãos.
3. Limpe a ferramenta, e especialmente as lâminas de corte, após a utilização e antes de armazenar a ferramenta por períodos prolongados. Lubrifique ligeiramente as lâminas e coloque a tampa da lâmina.
4. Guarde a ferramenta com a tampa da lâmina colocada num local seco. Mantenha-a fora do alcance das crianças. Nunca guarde a ferramenta em espaços exteriores.
5. Não elimine a(s) bateria(s) no fogo. A célula pode explodir. Verifique com os códigos locais as possíveis instruções de eliminação especiais.

## GUARDE ESTAS INSTRUÇÕES.

**AVISO:** NÃO permita que conforto ou familiaridade com o produto (adquirido com o uso repetido) substitua a aderência estrita às regras de segurança da ferramenta. MÁ INTERPRETAÇÃO ou não seguimento das regras de segurança estabelecidas neste manual de instruções pode causar danos pessoais sérios.

## Instruções de segurança importantes para a bateria

1. Antes de utilizar a bateria, leia todas as instruções e etiquetas de precaução no (1) carregador de bateria (2) bateria e (3) produto que utiliza a bateria.
2. Não desmonte ou manipule a bateria. Pode resultar num incêndio, em calor excessivo ou numa explosão.
3. Se o tempo de funcionamento se tornar excessivamente curto, pare o funcionamento imediatamente. Pode resultar em sobreaquecimento, possíveis queimaduras e mesmo explosão.
4. Se entrar eletrólito nos seus olhos, lave-os com água e consulte imediatamente um médico. Pode resultar em perda de visão.
5. Não coloque a bateria em curto-circuito:
  - (1) Não toque nos terminais com qualquer material condutor.
  - (2) Evite guardar a bateria juntamente com outros objetos metálicos tais como pregos, moedas, etc.
  - (3) Não exponha a bateria à água ou chuva. Um curto-circuito pode ocasionar um enorme fluxo de corrente, sobreaquecimento, possíveis queimaduras e mesmo estragar-se.
6. Não guarde nem utilize a ferramenta e a bateria em locais onde a temperatura pode atingir ou exceder 50 °C.
7. Não queime a bateria mesmo que esteja estragada ou completamente gasta. A bateria pode explodir no fogo.
8. Não pregue, corte, esmague, atire, deixe cair a bateria, nem bata a bateria contra um objeto rijo. Esta conduta pode resultar num incêndio, em calor excessivo ou numa explosão.
9. Não utilize uma bateria danificada.
10. As baterias de iões de lítio contidas na ferramenta são sujeitas aos requisitos da DGL (Dangerous Goods Legislation - Legislação de bens perigosos). Para o transporte comercial, por exemplo, por terceiros ou agentes de expedição, têm de ser observados os requisitos referentes à embalagem e etiquetagem. Para preparação do artigo a ser expedido, é necessário consultar um perito em materiais perigosos. Tenha ainda em conta a possibilidade de existirem regulamentos nacionais mais detalhados. Coloque fita-cola ou tape os contactos abertos e embale a bateria de tal forma que não possa mover-se dentro da embalagem.



11. Quando eliminar a bateria, remova-a da ferramenta e elimine-a num local seguro. Siga os regulamentos locais relacionados com a eliminação de baterias.
12. Utilize as baterias apenas com os produtos especificados pela Makita. Instalar as baterias em produtos não-conformes poderá resultar num incêndio, calor excessivo, explosão ou fuga de eletrólito.
13. Se a ferramenta não for utilizada durante um período de tempo prolongado, a bateria deve ser removida da ferramenta.
14. Durante e após a utilização, a bateria pode aquecer, o que pode provocar queimaduras ou queimaduras a baixa temperatura. Preste atenção ao manuseamento de baterias quentes.
15. Não toque no terminal da ferramenta imediatamente após a utilização, pois pode ficar suficientemente quente para provocar queimaduras.
16. Não permita a adesão de aparas, pó ou sujidade nos terminais, nos orifícios e nas ranhuras da bateria. Poderá fazer com que a ferramenta ou a bateria aqueça, incendeie, rebente e avarie, resultando em queimaduras ou ferimentos corporais.
17. A menos que a ferramenta suporte a utilização perto de linhas elétricas de alta tensão, não utilize a bateria perto de linhas elétricas de alta tensão. Pode resultar no mau funcionamento ou na avaria da ferramenta ou bateria.
18. Mantenha a bateria afastada das crianças.

## GUARDE ESTAS INSTRUÇÕES.

**⚠️PRECAUÇÃO:** Utilize apenas baterias genuínas da Makita. A utilização de baterias não genuínas da Makita ou de baterias que foram alteradas, pode resultar no rebentamento da bateria provocando incêndios, ferimentos pessoais e danos. Além disso, anulará da garantia da Makita no que se refere à ferramenta e ao carregador Makita.

## Conselhos para manter a máxima vida útil da bateria

1. Carregue a bateria antes que esteja completamente descarregada. Pare sempre o funcionamento da ferramenta e carregue a bateria quando notar menos poder na ferramenta.
2. Nunca carregue uma bateria completamente carregada. Carregamento excessivo diminui a vida útil da bateria.
3. Carregue a bateria à temperatura ambiente de 10 °C – 40 °C. Deixe que uma bateria quente arrefeça antes de a carregar.
4. Quando não utilizar a bateria, remova-a da ferramenta ou do carregador.
5. Carregue a bateria se não a utilizar durante um longo período de tempo (mais de seis meses).

## DESCRIÇÃO FUNCIONAL

**⚠️PRECAUÇÃO:** Certifique-se sempre de que a ferramenta está desligada e a bateria foi retirada antes de regular ou verificar qualquer função na ferramenta.

### Instalação ou remoção da bateria

**⚠️PRECAUÇÃO:** Desligue sempre a ferramenta antes de colocar ou retirar a bateria.

**⚠️PRECAUÇÃO:** Segure firmemente a ferramenta e a bateria quando instalar ou remover a bateria. Se não segurar firmemente a ferramenta e a bateria pode fazer com que escorreguem das suas mãos resultando em danos na ferramenta e na bateria e ferimentos pessoais.

► Fig.1: 1. Indicador vermelho 2. Botão 3. Bateria

Para retirar a bateria, deslize-a para fora da ferramenta enquanto desliza o botão na frente da bateria.

Para instalar a bateria, alinhe a lingueta na bateria com a ranhura na caixa e deslize-a para a posição correta. Insira-a por completo até bloquear na posição correta com um pequeno clique. Se conseguir ver o indicador vermelho conforme apresentado na figura, não está completamente bloqueada.

**⚠️PRECAUÇÃO:** Instale sempre a bateria até ao fim, até deixar de ver o indicador vermelho. Caso contrário, a bateria poderá cair da ferramenta acidentalmente e provocar ferimentos em si mesmo ou em alguém próximo.








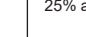

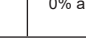

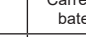

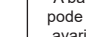


**⚠️PRECAUÇÃO:** Não instale a bateria à força. Se a bateria não deslizar facilmente é porque não foi colocada corretamente.

### Indicação da capacidade restante da bateria

#### Apenas para baterias com indicador

Prima o botão de verificação na bateria para indicar a capacidade restante da bateria. As luzes indicadoras acendem durante alguns segundos.

► Fig.2: 1. Luzes indicadoras 2. Botão de verificação

Luzes indicadoras			Capacidade restante
 Aceso	 Apagado	 A piscar	
			75% a 100%
			50% a 75%
			25% a 50%
			0% a 25%
			Carregar a bateria.
			A bateria pode estar avariada.
			



**NOTA:** Dependendo das condições de utilização e da temperatura ambiente, a indicação pode ser ligeiramente diferente da capacidade real.

**NOTA:** A primeira luz indicadora (extremo esquerdo) pisca quando o sistema de proteção da bateria funciona.

## Sistema de proteção da ferramenta/bateria

**OBSERVAÇÃO:** Dependendo das condições de utilização, a ferramenta para automaticamente sem qualquer indicação se os ramos ou detritos estiverem emaranhados na ferramenta. Neste caso, desligue a ferramenta e remova a bateria e, em seguida, remova os ramos emaranhados ou detritos utilizando ferramentas, tais como um alicate. Após remover os ramos ou detritos, instale a bateria e ligue a ferramenta novamente.

A ferramenta está equipada com um sistema de proteção da ferramenta/bateria. Este sistema corta automaticamente a corrente para o motor para aumentar a vida da ferramenta e da bateria. A ferramenta para automaticamente durante o funcionamento se a ferramenta ou bateria for colocada mediante uma das seguintes condições:

### Proteção contra sobrecarga

Quando a ferramenta ou a bateria é utilizada de forma a causar a absorção de uma corrente anormalmente alta, a ferramenta para automaticamente. Nesta situação, desligue a ferramenta e pare a aplicação que causou a sobrecarga da ferramenta. De seguida, ligue a ferramenta para reiniciar.

### Proteção contra sobreaquecimento

Quando a ferramenta ou a bateria estiver sobreaquecida, a ferramenta para automaticamente. Neste caso, deixe a ferramenta e a bateria arrefecerem antes de ligar novamente a ferramenta.

### Proteção contra descarga excessiva

Quando a capacidade da bateria não é suficiente, a ferramenta para automaticamente. Neste caso, retire a bateria da ferramenta e carregue-a.

### Proteções contra outras causas

O sistema de proteção foi também concebido para outras causas que possam danificar a ferramenta e permite à ferramenta parar automaticamente. Tome todas as medidas que se seguem para eliminar as causas quando a ferramenta tiver parado ou interrompido temporariamente a operação.

1. Desligue a ferramenta e, em seguida, volte a ligá-la para reiniciar.
2. Carregue a(s) bateria(s) ou substitua-a(s) por bateria(s) recarregada(s).
3. Deixe a máquina e a(s) bateria(s) arrefecerem.

Se não for possível constatar qualquer melhoria através do restauro do sistema de proteção, contacte o centro de assistência Makita local.

**OBSERVAÇÃO:** Se a ferramenta parar devido a uma causa não descrita acima, consulte a secção de resolução de problemas.

## Ação do interruptor

**AVISO:** Para sua segurança, esta ferramenta está equipada com uma alavanca do interruptor que impede que a ferramenta efetue o arranque acidentalmente. NUNCA utilize a ferramenta se esta funcionar quando puxa simplesmente o gatilho do interruptor sem pressionar a alavanca do interruptor. Devolva a ferramenta ao nosso centro de assistência autorizado para obter as reparações adequadas ANTES de continuar a utilizá-la.

**AVISO:** NUNCA coloque fita nem prejudique o funcionamento e a finalidade da alavanca do interruptor.

**AVISO:** Antes de instalar a bateria na ferramenta, verifique sempre se o gatilho do interruptor e a alavanca do interruptor estão a funcionar corretamente e se retornam à posição “DESLIGADO” quando forem soltos. Utilizar uma ferramenta com um interruptor que não atua corretamente pode provocar a perda de controlo e ferimentos graves.

**PRECAUÇÃO:** Nunca coloque o dedo no interruptor durante o transporte. A ferramenta pode arrancar inadvertidamente e causar ferimentos.

Para efetuar o arranque da ferramenta, segure a pega dianteira enquanto pressiona a alavanca do interruptor e puxa o gatilho do interruptor. Para parar a ferramenta, solte o gatilho do interruptor ou a alavanca do interruptor.

► **Fig.3:** 1. Pega dianteira 2. Alavanca do interruptor 3. Gatilho do interruptor

## Luz de indicação

► **Fig.4:** 1. Luz de indicação

A luz de indicação pisca ou acende quando a bateria ficar fraca ou a ferramenta estiver sobrecarregada. Consulte a seguinte tabela para verificar o estado e a medida a tomar.

Luz de indicação	Estado	Medida a tomar
A luz pisca a vermelho.	A restante bateria está fraca.	Recarregue a bateria ou substitua-a por uma bateria carregada.
A luz acende a vermelho.	A restante bateria está vazia.	Recarregue a bateria ou substitua-a por uma bateria carregada.
	A ferramenta parou devido a sobrecarga.	Desligue a ferramenta e elimine a causa da sobrecarga.
	A ferramenta parou devido a sobreaquecimento.	Desligue a ferramenta e arrefeça a ferramenta e a bateria.

**NOTA:** O momento em que a luz de indicação pisca ou acende varia em função da temperatura em torno da área de trabalho e das condições da bateria.

## Função eletrónica

A ferramenta está equipada com as funções eletrónicas para operação fácil.

- **Controlo constante da velocidade**  
A função de controlo da velocidade assegura a velocidade constante da rotação independentemente das condições de carga.
- **Travão elétrico**  
Esta ferramenta está equipada com um travão elétrico. Se a ferramenta consistentemente não parar rapidamente as lâminas de corte após a libertação do gatilho do interruptor, solicite a reparação da ferramenta num centro de assistência técnica autorizada da Makita.
- **Função de prevenção de reinício acidental**  
Mesmo que instale a bateria ao mesmo tempo que puxa o gatilho do interruptor, a ferramenta não arranca. Para iniciar a ferramenta, solte primeiro o gatilho do interruptor e, em seguida, puxe o gatilho do interruptor.

## MONTAGEM

**⚠PRECAUÇÃO:** Certifique-se sempre de que a ferramenta está desligada e a bateria retirada antes de executar qualquer trabalho na ferramenta.

**⚠PRECAUÇÃO:** Quando substituir as lâminas de corte, use sempre luvas, de modo a que as suas mãos não fiquem em contacto direto com as lâminas.

**OBSERVAÇÃO:** Quando substituir as lâminas de corte, não limpe a massa lubrificante da engrenagem e da manivela.

### Instalar ou remover as lâminas de corte

**⚠PRECAUÇÃO:** Acople a tampa da lâmina antes de remover ou instalar as lâminas de corte.

Pode instalar lâminas de corte de 500 mm ou 600 mm na ferramenta.

1. Prenda a tampa da lâmina nas lâminas de corte.  
▶ **Fig.5:** 1. Tampa da lâmina
2. Coloque a ferramenta ao contrário, depois remova 6 pernos e, em seguida, remova a tampa e a placa.  
▶ **Fig.6:** 1. Perno 2. Tampa 3. Placa

**NOTA:** A placa pode permanecer na tampa.

3. Rode a manivela com a chave de fendas de ponta achatada de modo que os 2 orifícios fiquem perpendiculares às lâminas de corte.  
▶ **Fig.7:** 1. Manivela 2. Orifício
4. Remova 2 pernos, a base de feltro e as mangas e, em seguida, remova as lâminas de corte.  
▶ **Fig.8:** 1. Base de feltro 2. Perno 3. Manga  
4. Lâminas de corte
5. Remova a tampa da lâmina e, em seguida, prenda-a nas lâminas de corte novas.  
▶ **Fig.9:** 1. Tampa da lâmina

6. Alinhe as extremidades traseiras das lâminas de corte conforme apresentado na figura.

▶ **Fig.10:** 1. Extremidade traseira

7. Deslize as lâminas de corte ligeiramente conforme apresentado na figura e, em seguida, prenda as mangas nas lâminas de corte.

▶ **Fig.11:** 1. Manga

8. Deslize a tampa da lâmina ligeiramente em direção à ponta das lâminas de corte e, em seguida, prenda as lâminas de corte na ferramenta.

▶ **Fig.12:** 1. Lâminas de corte

**OBSERVAÇÃO:** Aplique uma pequena quantidade de massa lubrificante na periferia interna do orifício das lâminas de corte.

**OBSERVAÇÃO:** Tenha cuidado para não perder as mangas.

9. Deslize as lâminas de corte e as mangas de modo que os orifícios nas mangas fiquem alinhados com os orifícios na ferramenta.

▶ **Fig.13:** 1. Orifício na ferramenta 2. Orifício na manga

10. Aperte os pernos para fixar as lâminas de corte.

▶ **Fig.14:** 1. Perno

11. Prenda a base de feltro nas lâminas de corte.

▶ **Fig.15:** 1. Base de feltro

12. Prenda a placa.

▶ **Fig.16:** 1. Placa

13. Prenda a tampa e, em seguida, aperte 6 pernos.

▶ **Fig.17:** 1. Perno 2. Tampa

**OBSERVAÇÃO:** Se as lâminas de corte não se moverem suavemente, as lâminas de corte não estão corretamente engatadas na manivela. Volte a instalar as lâminas de corte.

**OBSERVAÇÃO:** Se as peças além das lâminas de corte, tais como a manivela, estiverem desgastadas, solicite substituições de peças ou reparações nos centros de assistência autorizados da Makita.

### Instalar ou remover o recipiente de aparas

#### Acessório opcional

**⚠PRECAUÇÃO:** Quando instalar ou remover o recipiente de aparas, use sempre luvas, de modo a que as suas mãos não fiquem em contacto direto com as lâminas de corte.

**OBSERVAÇÃO:** A tampa da lâmina não pode ser instalada se o recipiente de aparas estiver instalado na ferramenta. Antes de transportar ou armazenar a ferramenta, desinstale o recipiente de aparas e, em seguida, instale a tampa da lâmina de modo a evitar a exposição da lâmina.

**OBSERVAÇÃO:** Certifique-se de que remova a tampa da lâmina antes de instalar o recipiente de aparas.

O recipiente de aparas recolhe folhas caídas e torna a limpeza posterior muito mais fácil. Pode ser instalado em ambos os lados da ferramenta.

1. Alinhe os orifícios no recipiente de aparas com os parafusos nas lâminas de corte.

► Fig.18: 1. Parafuso

2. Enganche as garras do recipiente de aparas na ranhura nas lâminas de corte.

► Fig.19: 1. Garra 2. Ranhura

3. Pressione as alavancas no recipiente de aparas e, em seguida, enganche as garras do lado oposto na ranhura nas lâminas de corte.

► Fig.20: 1. Alavanca

Para remover o recipiente de aparas, pressione as alavancas para soltar as garras.

► Fig.21: 1. Alavanca

**OBSERVAÇÃO:** Nunca tente remover o recipiente de aparas exercendo força excessiva com os respetivos ganchos bloqueados nas lâminas de corte.

## OPERAÇÃO

**AVISO:** Mantenha as mãos afastadas das lâminas de corte.

**PRECAUÇÃO:** Evite operar a ferramenta em condições atmosféricas muito quentes tanto quanto seja possível. Quando operar a ferramenta, tenha cuidado com a sua condição física.

**PRECAUÇÃO:** Tenha cuidado para não tocar acidentalmente numa cerca de metal ou noutro objeto duro enquanto estiver a aparar. As lâminas de corte podem partir e causar ferimentos.

**PRECAUÇÃO:** Tenha cuidado para não deixar que as lâminas de corte toquem no solo. A ferramenta pode recuar e causar ferimentos.

**PRECAUÇÃO:** Esticar-se para alcançar um local com o aparador de cerca viva, particularmente desde uma escada, é extremamente perigoso. Não trabalhe se estiver posicionado sobre um suporte trémulo ou instável.

**OBSERVAÇÃO:** Não tente cortar ramos mais grossos do que 10 mm de diâmetro com a ferramenta. Apare ramos 10 cm mais baixo do que a altura de corte utilizando lâminas para ramos antes de utilizar a ferramenta.

► Fig.22: (1) Altura de corte (2) 10 cm

**OBSERVAÇÃO:** Não corte árvores secas ou objetos duros similares. Ao fazê-lo pode causar danos na ferramenta.

**OBSERVAÇÃO:** Não apare a relva ou ervas enquanto estiver a utilizar as lâminas de corte. As lâminas de corte poderão ficar emaranhadas na relva ou nas ervas.

Segure a ferramenta com as duas mãos, segure a pega dianteira enquanto pressiona a alavanca do interruptor e puxe o gatilho do interruptor, e depois mova a ferramenta para a frente.

► Fig.23

Para o funcionamento básico, incline as lâminas de corte em direção ao sentido de aparar e mova-as calma e lentamente à velocidade de 3 a 4 segundos por metro.

► Fig.24

Para cortar o topo de uma cerca uniformemente, ate uma corda à altura pretendida e apare ao longo desta.

► Fig.25

Se o recipiente de aparas estiver acoplado às lâminas de corte, este recolhe folhas caídas e torna a limpeza posterior muito mais fácil.

► Fig.26

Para cortar o lado de uma cerca uniformemente, corte a partir da parte inferior até ao topo.

► Fig.27

Quando aparar para moldar uma forma redonda (aparar por buxo ou rododendro, etc.), apare desde a raiz até ao topo para obter um acabamento bonito.

► Fig.28

## MANUTENÇÃO

**PRECAUÇÃO:** Certifique-se sempre de que a ferramenta se encontra desligada e de que a bateria foi retirada antes de executar qualquer inspeção ou manutenção.

Para manter a SEGURANÇA e a FIABILIDADE do produto, as reparações e qualquer outra manutenção ou ajuste devem ser levados a cabo pelos centros de assistência Makita autorizados ou pelos centros de assistência de fábrica, utilizando sempre peças de substituição Makita.

### Limpar a ferramenta

Limpe a ferramenta, limpando o pó com um pano seco ou um pano humedecido em água com detergente e torcido.

**OBSERVAÇÃO:** Nunca utilize gasolina, benzina, diluente, álcool ou produtos semelhantes. Pode ocorrer a descoloração, deformação ou rachaduras.

### Manutenção da lâmina de corte

Antes da operação ou uma vez por hora durante a operação, aplique óleo de baixa viscosidade (óleo para máquinas ou óleo lubrificante de pulverizar) nas lâminas de corte.

► Fig.29

Após a operação, remova o pó de ambos os lados das lâminas de corte com uma escova de fios, limpe-as com um pano e, em seguida, aplique óleo de baixa viscosidade (óleo para máquinas ou óleo lubrificante de pulverizar) nas lâminas de corte.

► Fig.30

**OBSERVAÇÃO:** Não lave as lâminas de corte na água. Ao fazê-lo pode causar ferrugem ou danos na ferramenta.

**OBSERVAÇÃO:** A sujidade e a corrosão causam fricção excessiva da lâmina e encurtam o tempo de funcionamento por carga de bateria.

## Armazenamento

O orifício para o gancho na parte inferior da ferramenta é conveniente para pendurar a ferramenta num prego ou parafuso na parede.

Acople a tampa da lâmina às lâminas de corte, de modo a que as lâminas não fiquem expostas. Guarde a ferramenta fora do alcance das crianças. Guarde a ferramenta num local não exposto a humidade ou precipitação.

► Fig.31: 1. Orifício

## Retificação das lâminas de corte

**OBSERVAÇÃO:** Se as lâminas de corte foram consideravelmente deformadas por retificação, substitua-as por lâminas de corte novas.

1. Instale a bateria na ferramenta.
2. Ligue e efetue o arranque da ferramenta, de modo que a lâmina superior e a lâmina inferior fiquem posicionadas alternadamente.

► Fig.32

3. Desligue a ferramenta e remova a bateria da ferramenta.

4. Regule o ângulo de uma lima para 35° e retifique a lâmina superior a partir de 2 direções com a lima.

► Fig.33: (1) Lima (2) 35°

**PRECAUÇÃO:** Antes de retificar as lâminas de corte, certifique-se de que a ferramenta está desligada e que a bateria foi removida da ferramenta.

5. Coloque a ferramenta virada para baixo e, em seguida, remova as rebarbas das lâminas de corte com a pedra de amolar.

► Fig.34: 1. Pedra de amolar

6. Regule o ângulo da lima para 35° e retifique a lâmina inferior a partir de 2 direções com a lima.

7. Volte a colocar a ferramenta na posição normal e, em seguida, remova as rebarbas das lâminas de corte com a pedra de amolar.

## Lubrificação com massa lubrificante

**Intervalo de lubrificação:** A cada 50 horas de funcionamento

1. Remova o perno do orifício para lubrificação.

► Fig.35: 1. Perno

2. Remova a tampa do recipiente de massa lubrificante. Alinhe a saída do recipiente de massa lubrificante com o orifício na tampa e, em seguida, rode o recipiente de massa lubrificante para prender a saída do recipiente de massa lubrificante no orifício.

► Fig.36: 1. Recipiente de massa lubrificante  
2. Orifício

3. Aplique a massa lubrificante na ferramenta (aproximadamente 3 g como um guia).

4. Remova o recipiente de massa lubrificante.

5. Aperte o perno.

# RESOLUÇÃO DE PROBLEMAS

Antes de pedir uma reparação, realize primeiro a sua própria inspeção. Se encontrar um problema que não esteja explicado no manual, não tente desmontar a ferramenta. Em vez disso, peça as reparações nos centros de assistência técnica autorizados da Makita, usando sempre peças de substituição da Makita.

Estado da anomalia	Causa provável (avaria)	Correção
O motor não funciona.	A bateria não está instalada.	Instale a bateria.
	Problema com a bateria (baixa tensão)	Recarregue a bateria. Se o carregamento não for eficaz, substitua a bateria.
	O sistema de acionamento não funciona corretamente.	Peça a reparação no centro de assistência autorizado local.
O motor para de funcionar após pouco uso.	O nível de carga da bateria está baixo.	Recarregue a bateria. Se o carregamento não for eficaz, substitua a bateria.
	Sobreaquecimento.	Pare a utilização da ferramenta para que ela possa arrefecer.
A ferramenta não atinge as RPM máximas.	A bateria está mal instalada.	Instale a bateria como descrito neste manual.
	A potência da bateria está a baixar.	Recarregue a bateria. Se o carregamento não for eficaz, substitua a bateria.
	O sistema de acionamento não funciona corretamente.	Peça a reparação no centro de assistência autorizado local.
As lâminas de corte não se movem: ⇒ pare a máquina imediatamente!	Ficam presos objetos estranhos entre as lâminas de corte.	Desligue a ferramenta e remova a bateria e, em seguida, remova os objetos estranhos utilizando ferramentas, tais como um alicate.
	O sistema de acionamento não funciona corretamente.	Peça a reparação no centro de assistência autorizado local.
Vibração anormal: ⇒ pare a máquina imediatamente!	As lâminas de corte estão partidas, curvadas ou desgastadas.	Substitua as lâminas de corte.
	O sistema de acionamento não funciona corretamente.	Peça a reparação no centro de assistência autorizado local.
As lâminas de corte e o motor não conseguem parar: ⇒ retire imediatamente a bateria!	Falha elétrica.	Retire a bateria e peça a reparação no centro de assistência autorizado local.

## ACESSÓRIOS OPCIONAIS

**⚠️ PRECAUÇÃO:** Estes acessórios ou peças são recomendados para utilização com a ferramenta Makita especificada neste manual. A utilização de outros acessórios ou peças pode ser perigosa para as pessoas. Utilize apenas acessórios ou peças para os fins indicados.

Se necessitar de informações adicionais relativas a estes acessórios, solicite-as ao seu centro de assistência Makita.

- Conjunto da lâmina de corte
- Tampa da lâmina de corte
- Recipiente de aparas
- Recipiente de massa lubrificante
- Bateria e carregador genuínos da Makita

**NOTA:** Alguns itens da lista podem estar incluídos na embalagem da ferramenta como acessórios padrão. Eles podem variar de país para país.

## SPECIFIKATIONER

Model:	DUH506	DUH606
Længde af klinge	500 mm	600 mm
Antal slag pr. minut	4.000 min <sup>-1</sup>	
Samlet længde (uden batteri)	846 mm	965 mm
Mærkespænding	D.C. 18 V	
Nettovægt	*1	2,2 kg
	*2	2,5 - 2,9 kg
		2,3 kg
		2,7 - 3,0 kg

- På grund af vores kontinuerlige forsknings- og udviklingsprogrammer kan hosstående specifikationer blive ændret uden varsel.
- Specifikationer kan variere fra land til land.
- \*1: Vægt uden tilbehør eller akku(er)
- \*2: Vægten kan variere afhængigt af tilbehøret, herunder akkuen. De letteste og tungeste kombinationer, i henhold til EPTA-procedure 01/2014, er vist i tabellen.

## Anvendelig akku og oplader

Akku	BL1815N / BL1820B / BL1830B / BL1840B / BL1850B / BL1860B
Oplader	DC18RC / DC18RD / DC18RE / DC18SD / DC18SE / DC18SF / DC18SH / DC18WC

- Nogle af de akkuer og opladere, der er angivet ovenfor, er muligvis ikke tilgængelige, afhængigt af hvilket område du bor i.

**⚠ ADVARSEL: Brug kun de akkuer og opladere, der er angivet ovenfor. Brug af andre akkuer og opladere kan medføre personskaade og/eller brand.**



## Anbefalet ledningstilsluttet strømforsyningskilde

Bærbar strømforsyning	PDC01
-----------------------	-------

- Den eller de ovenfor anførte ledningstilsluttede strømforsyningskilder er muligvis ikke tilgængelige, afhængigt af hvilket område du bor i.
- Inden du bruger den ledningstilsluttede strømforsyningskilde, skal du læse instruktionen og advarselmarkeringerne på dem.

## Symboler

Følgende viser de symboler, der muligvis anvendes til udstyret. Sørg for, at du forstår deres betydning før brugen.

	Læs betjeningsvejledningen.
	Bær øjenbeskyttelse.
	FARE - Hold hænder væk fra klingene.
	Må ikke udsættes for fugt.
	Bær beskyttelsesbriller og høreværn.



Udsæt ikke for regn.



Kun for lande inden for EU  
På grund af tilstedeværelsen af farlige komponenter i udstyret kan affald af elektrisk og elektronisk udstyr, akkumulatører og batterier have en negativ indvirkning på miljøet og folkesundheden. Bortskaf ikke elektriske og elektroniske apparater eller batterier sammen med husholdningsaffald!  
I overensstemmelse med EF-direktiv om affaldshåndtering af elektrisk og elektronisk udstyr og om akkumulatører og batterier og affaldsakkumulatører og -batterier, og i overensstemmelse med national lovgivning, skal brugt elektrisk udstyr, batterier og akkumulatører opbevares separat og leveres til et separat indsamlingssted for kommunalt affald, der er etableret i henhold til bestemmelserne om miljøbeskyttelse. Dette er angivet ved symbolet på den krydsede skraldespand, der er placeret på udstyret.



Garanteret lydeffektniveau i henhold til EU-direktivet om maskiner til udendørs brug.



Lydeffektniveau i henhold til Australiens NSW forordning om støjemission

## Tilsigtet anvendelse

Maskinen er beregnet til at trimme hække.

## Støj

Det typiske A-vægtede støjniveau bestemt i overensstemmelse med EN62841-4-2:

Model	Lydtrykniveau		Garanteret lydeffektniveau	Målt lydeffektniveau	
	L <sub>pA</sub> (dB(A))	Usikkerhed K (dB(A))	L <sub>WA</sub> (dB(A))	L <sub>WA</sub> (dB(A))	Usikkerhed K (dB(A))
DUH506	80	3	90	88	1,8
DUH606	82	3	92	90	1,9

**BEMÆRK:** De(n) angivne støjemissionsværdi(er) er målt i overensstemmelse med en standardtestmetode og kan anvendes til at sammenligne en maskine med en anden.

**BEMÆRK:** De(n) angivne støjemissionsværdi(er) kan også anvendes i en præliminær eksponeringsvurdering.

**⚠ ADVARSEL:** Bær høreværn.

**⚠ ADVARSEL:** Støjemissionen under den faktiske anvendelse af maskinen kan være forskellig fra de(n) angivne værdi(er), afhængigt af den måde hvorpå maskinen anvendes, især den type arbejdsemne der behandles.

**⚠ ADVARSEL:** Sørg for at identificere de sikkerhedsforskrifter til beskyttelse af operatøren, som er baseret på en vurdering af eksponering under de faktiske brugsforhold (med hensyntagen til alle dele i brugscykklussen, f.eks. de gange, hvor maskinen er slukket, og når den kører i tomgang i tilgift til afbrydertiden).

## Vibration

Vibrationens totalværdi (tre-aksial vektorsum) bestemt i overensstemmelse med EN62841-4-2:

Model	Forreste håndtag		Bageste håndtag	
	ah (m/s <sup>2</sup> )	Usikkerhed K (m/s <sup>2</sup> )	ah (m/s <sup>2</sup> )	Usikkerhed K (m/s <sup>2</sup> )
DUH506	2,5 m/s <sup>2</sup> eller mindre	1,5	2,5 m/s <sup>2</sup> eller mindre	1,5
DUH606	2,5 m/s <sup>2</sup> eller mindre	1,5	2,5 m/s <sup>2</sup> eller mindre	1,5

**BEMÆRK:** De(n) angivne totalværdi(er) for vibration er målt i overensstemmelse med en standardtestmetode og kan anvendes til at sammenligne en maskine med en anden.

**BEMÆRK:** De(n) angivne totalværdi(er) for vibration kan også anvendes i en præliminær eksponeringsvurdering.

**⚠ ADVARSEL:** Vibrationsemmissionen under den faktiske anvendelse af maskinen kan være forskellig fra de(n) angivne værdi(er), afhængigt af den måde hvorpå maskinen anvendes, især den type arbejdsemne der behandles.

**⚠ ADVARSEL:** Sørg for at identificere de sikkerhedsforskrifter til beskyttelse af operatøren, som er baseret på en vurdering af eksponering under de faktiske brugsforhold (med hensyntagen til alle dele i brugscykklussen, f.eks. de gange, hvor maskinen er slukket, og når den kører i tomgang i tilgift til afbrydertiden).

## Overensstemmelseserklæringer

### Kun for lande i Europa

Overensstemmelseserklæringerne er inkluderet i Bilag A i denne brugsanvisning.



# SIKKERHEDSAD- VARSLER

## Almindelige sikkerhedsregler for el-værktøj

**⚠ ADVARSEL** Læs alle sikkerhedsadvarsler, instruktioner, illustrationer og specifikationer, der følger med denne maskine. Hvis du ikke følger alle nedenstående instruktioner, kan det medføre elektrisk stød, brand og/eller alvorlig personskade.

## Gem alle advarsler og instruktioner til fremtidig reference.

Ordet "el-værktøj" i advarslerne henviser til det netforsynde (netledning) el-værktøj eller batteriforsynde (akku) el-værktøj.

## Sikkerhedsadvarsler for akku hækketrimmer

1. **Brug ikke hækketrimmeren i dårligt vejr, især hvis der er risiko for lynnedslag.** Dette reducerer risikoen for, at du rammes af lynnedslag.
2. **Hold alle netledninger væk fra skærområdet.** Netledninger eller kabler kan muligvis være skjult i hække eller buske og kan ved et uheld skæres over af klingens.
3. **Bær høreværn.** Passende beskyttelsesudstyr vil reducere risikoen for høretab.
4. **Hold altid kun i hækketrimmeren i de isolerede grebflader, da klingens muligvis kan komme i berøring med skjulte ledninger.** Hvis klingen kommer i kontakt med en strømførende ledning, kan udsatte metaldele på hækketrimmeren blive strømførende, hvorved operatøren kan få elektrisk stød.
5. **Hold alle dele af kroppen væk fra klingens.** Undlad at fjerne afskåret materiale eller at holde materiale, der skal skæres, når klingerne bevæger sig. Klingen fortsætter med at rotere, efter at afbryderen er slået fra. Ved brug af hækketrimmeren kan ét øjeblik uopmærksomhed medføre alvorlig personskade.
6. **Når du fjerner fastklemt materiale eller service-er hækketrimmeren, skal du sørge for at alle tænd/sluk-knapper er slukket, og at akkuen er afmonteret eller afbrudt.** Uventet aktivering af hækketrimmeren, mens der fjernes fastklemt materiale eller udføres service, kan muligvis resultere i personskade.
7. **Bær hækketrimmeren i håndtaget med klingens stoppet og pas på ikke at betjenes nogen tænd/sluk-knap.** Korrekt bæring af hækketrimmeren reducerer risikoen for utilsigtet start og medfølgende personskade fra klingerne.
8. **Når du transporterer eller opbevarer hækketrimmeren, skal du altid bruge klingedækslet.** Korrekt håndtering af hækketrimmeren reducerer risikoen for personskade fra klingerne.

## Yderligere sikkerhedsadvarsler

### Forberedelse

1. **Kontrollér hækken og buskene for fremmedlegemer som f.eks. trådhegn eller skjulte ledninger, før maskinen anvendes.**
2. **Maskinen må ikke anvendes af børn eller unge på under 18 år.** Unge på over 16 år er muligvis undtaget fra denne begrænsning, hvis de er under oplæring under opsyn af en ekspert.
3. **Førstegangsbrugere bør få en erfaren bruger til at vise dem, hvordan man bruger maskinen.**
4. **Brug kun maskinen, hvis du er i god fysisk form.** Hvis du er træt, vil din opmærksomhed være reduceret. Vær særligt opmærksom sidst på arbejdsdagen. Udfør alt arbejde roligt og omhyggeligt. Brugeren er ansvarlig for enhver skade på tredjepart.
5. **Brug aldrig maskinen under indflydelse af alkohol, narkotika eller medicin.**
6. **Arbejdshandsker af solidt læder er en del af det grundlæggende udstyr til maskinen og skal altid bæres, når du arbejder med den. Bær også solide sko med skridsikre såler.**
7. **Før du påbegynder arbejdet, skal du kontrollere, at maskinen er i god og sikker arbejdstilstand. Kontrollér, at beskyttelsesskærme er monteret korrekt. Maskinen må ikke anvendes, medmindre den er fuldt samlet.**
8. **Når du afleverer hækketrimmeren til en anden person, skal du først lægge hækketrimmeren på jorden og samle hækketrimmeren op, når du har fjernet hånden.** Når hækketrimmeren afleveres med hånden, medfører det, at man holder ved både det forreste håndtag og det bageste håndtag på samme tid, hvorefter hækketrimmeren starter utilsigtet. Utilsigtet start kan forårsage alvorlig personskade.

### Drift

1. **Hold godt fast i maskinen med begge hænder, når du bruger maskinen.**
2. **Maskinen er kun beregnet til brug af operatøren i jordhøjde. Benyt ikke maskinen på stiger eller noget andet ustabil underlag.**
3. **FARE - Hold hænderne på afstand af klingens.** Kontakt med klingens vil medføre alvorlig personskade.
4. **Brug ikke maskinen i regnvejr eller under våde eller meget fugtige forhold.** Den elektriske motor er ikke vandtæt.
5. **Sørg for at have solidt fodfæste, før du starter brugens.**
6. **Betjen ikke maskinen unødigt uden belastning.**
7. **Sluk med det samme for maskinen, og fjern akkuen, hvis klingerne kommer i kontakt med et hegn eller en anden hård genstand. Kontrollér klingerne for beskadigelse, og udskift klingerne med det samme, hvis de er beskadiget.**
8. **Før du kontrollerer klingerne, udbedr fejl eller fjerner materiale, der sidder fast i klingens, skal du altid slukke for maskinen og fjerne akkuen.**

9. Ret aldrig klingerne mod dig selv eller andre.
10. Hvis klingerne holder op med at bevæge sig under brugen på grund af fremmedlegemer, der sidder fast mellem klingerne, skal du slukke for maskinen og fjerne akkuen og derefter fjerne fremmedlegemerne ved hjælp af redskaber som f.eks. en tang. Hvis du fjerner fremmedlegemerne i hånden, kan det medføre personskaade, da klingerne kan bevæge sig som reaktion på fjernelsen af fremmedlegemerne.

## Elektrisk sikkerhed og batterisikkerhed

1. Undgå farlige miljøer. Brug ikke maskinen på fugtige eller våde steder, og udsæt den ikke for regn. Hvis der kommer vand ind i maskinen, forøger det risikoen for elektrisk stød.
2. Undlad at kaste batterierne i åben ild. Cellen kan eksplodere. Tjek de lokale regler for eventuelle særlige instruktioner vedrørende bortskaffelse.
3. Undlad at åbne eller mishandle batterierne. Lækket elektrolyt er ætsende og kan medføre skader på øjnene eller huden. Den kan være giftig, hvis den indtages.
4. Undlad at oplade batteriet i regnvejrr eller under våde forhold.
5. Oplad ikke batteriet uden døre.
6. Håndter ikke oplader, herunder opladerstik, og opladerterminaler med våde hænder.

## Vedligeholdelse og opbevaring

1. Sluk for maskinen, og fjern akkuen, før du udfører vedligeholdelsesarbejde.
2. Når maskinen flyttes til et andet sted, herunder under arbejde, skal du altid fjerne akkuen og sætte klingedækslet på klingerne. Du må aldrig bære eller transportere maskinen, mens klingerne kører. Tag aldrig fat i klingerne med hænderne.
3. Rengør maskinen og især klingerne efter brug, og for maskinen lægges til opbevaring i længere tid. Smør klingerne let, og sæt klingedækslet på.
4. Opbevar maskinen med klingedækslet på i et tørt værelse. Hold den utilgængelig for børn. Opbevar aldrig maskinen udendørs.
5. Undlad at kaste batterierne i åben ild. Cellen kan eksplodere. Tjek de lokale regler for eventuelle særlige instruktioner vedrørende bortskaffelse.
6. Undlad at åbne eller mishandle batterierne. Lækket elektrolyt er ætsende og kan medføre skader på øjnene eller huden. Den kan være giftig, hvis den indtages.

## GEM DENNE BRUGSANVISNING.

**⚠ ADVARSEL:** LAD IKKE bekvemmelighed eller kendskab til produktet (opnået gennem gentagen brug) forhindre, at sikkerhedsforskrifterne for produktet nøje overholdes. MISBRUG eller forsømmelse af at følge de i denne brugsvejledning givne sikkerhedsforskrifter kan føre til, at De kommer alvorligt til skade.

## Vigtige sikkerhedsinstruktioner for akkuen

1. Læs alle instruktioner og advarselmærkater på (1) akku-opladeren, (2) akkuen og (3) produktet, som anvender akku.
2. Adskil eller ændr ikke akkuen. Det kan muligvis resultere i en brand, overdreven varme eller eksplosion.
3. Hold straks op med anvendelsen, hvis brugstiden er blevet stærkt afkortet. Fortsat anvendelse kan resultere i risiko for overophedning, forbrændinger og endog eksplosion.
4. Hvis De har fået elektrolytvæske i øjnene, skal De straks skylle den ud med rent vand og derefter øjeblikkeligt søge lægehjælp. I modsat fald kan De miste synet.
5. Vær påpasselig med ikke at komme til at kortslutte akkuen:
  - (1) Rør ikke ved terminalerne med noget ledende materiale.
  - (2) Undgå at opbevare akkuen i en beholder sammen med andre genstande af metal, for eksempel søm, mønter og lignende.
  - (3) Udsæt ikke akkuen for vand eller regn. Kortslutning af akkuen kan forårsage en kraftig øgning af strømmen, overophedning, mulige forbrændinger og endog værktøjstop.
6. Opbevar og brug ikke maskinen og akkuen på steder, hvor temperaturen muligvis kan nå eller overstige 50 °C.
7. Lad være med at brænde akkuen, selv ikke i tilfælde, hvor den har lidt alvorlig skade eller er fuldstændig udtjent. Akkuen kan eksplodere, hvis man forsøger at brænde den.
8. Slå ikke søm i, skær ikke i, knus, kast, tab ikke akkuen og stød ikke akkuen mod en hård genstand. Sådan adfærd kan muligvis resultere i en brand, overdreven varme eller eksplosion.
9. Anvend ikke en beskadiget akku.
10. De indbyggede litium-ion-batterier er underlagt lovkrav vedrørende farligt gods. Ved kommerciel transport, f.eks. af tredjeparts transportselskaber, skal særlige krav til forpakning og mærkning overholdes. Ved forberedelse af udstyret til forsendelse skal du kontakte en ekspert i farligt gods. Overhold også eventuel mere detaljeret national lovgivning. Tape eller tildæk åbne kontakter, og pak batteriet på en måde, så det ikke kan flytte sig rundt i pakningen.
11. Når akkuen bortskaffes, skal du fjerne den fra maskinen og bortskaffe den på et sikkert sted. Følg de lokale love vedrørende bortskaffelsen af batterier.
12. Brug kun batterierne med de produkter, som Makita specificerer. Hvis batterierne installeres i ikke-kompatible produkter, kan det medføre brand, kraftig varme, eksplosion eller udsivning af elektrolyt.

13. Hvis maskinen ikke skal bruges i længere tid ad gangen, skal du fjerne batteriet fra maskinen.
14. Akkuen kan muligvis under og efter brug være varm, hvilket kan forårsage forbrændinger eller lavtemperaturforbrændinger. Vær påpasselig med håndtering af varme akkuer.
15. Rør ikke terminalen på maskinen straks efter brug, da den bliver varm nok til at forårsage forbrændinger.
16. Sørg for, at spåner, støv eller jord ikke sætter sig fast i akkuens terminaler, huller og riller. Det kan forårsage opvarmning, antændelse, sprængning og funktionsfejl i maskinen eller akkuen, hvilket kan medføre forbrændinger eller personskade.
17. Medmindre maskinen understøtter brugen i nærheden af elektriske højspændingsledninger, skal du ikke anvende akkuen i nærheden af elektriske højspændingsledninger. Det kan muligvis medføre funktionsfejl på eller nedbrud af maskinen eller akkuen.
18. Opbevar batteriet utilgængeligt for børn.

## GEM DENNE BRUGSANVISNING.

**⚠FORSIGTIG:** Brug kun originale batterier fra Makita. Brug af uoriginale Makita-batterier, eller batterier som er blevet ændret, kan muligvis medføre brud på batteriet, hvilket kan forårsage brand, personskade eller beskadigelse. Det ugyldiggør også Makita-garantien for Makita-maskinen og opladeren.

## Tips til opnåelse af maksimal akku-levetid

1. Oplad akkuen, inden den er helt afladet. Stop altid værktøjet, og oplad akkuen, hvis De bemærker, at værktøjeffekten er aftagende.
2. Genoplad aldrig en fuldt opladet akku. Overopladning vil afkorte akkuens levetid.
3. Oplad akkuen ved stuetemperatur ved 10 °C - 40 °C. Lad altid en varm akku få tid til at køle af, inden den oplades.
4. Når du ikke anvender akkuen, skal du fjerne den fra maskinen eller opladeren.
5. Oplad akkuen, hvis De ikke skal bruge den i længere tid (mere end seks måneder).

## FUNKTIONSBESKRIVELSE

**⚠FORSIGTIG:** Sørg altid for at maskinen er slukket, og at akkuen er taget ud, før der udføres justering eller kontrol af funktioner på maskinen.

### Isætning eller fjernelse af akkuen

**⚠FORSIGTIG:** Sluk altid for værktøjet, før De monterer eller fjerner akkuen.

**⚠FORSIGTIG:** Hold værktøjet og akkuen fast ved montering eller fjernelse af akkuen. Hvis De ikke holder værktøjet og akkuen fast, kan de glide ud af hænderne på Dem og forårsage beskadigelse af værktøjet og akkuen eller personskade.

► Fig.1: 1. Rød indikator 2. Knap 3. Akku

Akkuen fjernes ved, at De trækker den ud af værktøjet, idet De skyder knappen på forsiden af akkuen i stilling.

For at montere akkuen skal du justere tungen på akkuen med rillen i huset og skubbe den på plads. Indsæt den hele vejen, indtil den låses på plads med et lille klik. Hvis du kan se den røde indikator, som vist i figuren, er den ikke helt låst.

**⚠FORSIGTIG:** Monter altid akkuen helt, indtil den røde indikator ikke længere er synlig. Hvis dette ikke gøres, kan den falde ud af værktøjet ved et uheld, hvorved De selv eller personer i nærheden kan komme til skade.

**⚠FORSIGTIG:** Brug ikke magt ved montering af akkuen. Hvis akkuen ikke glider på plads uden problemer, betyder det, at den ikke sættes i på korrekt vis.

## Indikation af den resterende batteriladning

### Kun til akkuer med indikatoren

Tryk på kontrolknappen på akkuen for at få vist den resterende batteriladning. Indikatorlampen lyser i nogle sekunder.

► Fig.2: 1. Indikatorlamper 2. Kontrolknap

Indikatorlamper			Resterende ladning
Tændt	Slukket	Blinker	
■ ■ ■ ■			75% til 100%
■ ■ ■ □			50% til 75%
■ ■ □ □			25% til 50%
■ □ □ □			0% til 25%
▣ □ □ □			Genoplad batteriet.
■ ■ □ □			Der er muligvis fejl i batteriet.
□ □ ■ ■			

**BEMÆRK:** Afhængigt af brugsforholdene og den omgivende temperatur kan indikationen afvige en smule fra den faktiske ladning.

**BEMÆRK:** Den første indikatorlampe (længst mod venstre) vil blinke, når batteribeskyttelsessystemet aktiveres.

## Beskyttelsessystem til værktøj/batteri

**BEMÆRKNING:** Afhængigt af brugsforholdene stopper maskinen automatisk uden nogen indikation, hvis grene eller affaldsrester er viklet ind i maskinen. I dette tilfælde skal du slukke for maskinen og fjerne akkuen, og derefter fjerne sammenfiltrede grene eller affaldsrester ved hjælp af værktøj som fx tænger. Efter fjernelse af grene eller affaldsrester skal du installere akkuen og tænde for maskinen igen.

Maskinen er udstyret med et beskyttelsessystem til maskinen/batteriet. Dette system afbryder automatisk strømmen til motoren for at forlænge maskinens og batteriets levetid. Maskinen stopper automatisk under brugen, hvis maskinen eller batteriet udsættes for et af følgende forhold:

## Overbelastningsbeskyttelse

Hvis maskinen eller batteriet betjenes på en måde, der får den/det til at bruge unormalt meget strøm, stopper maskine automatisk. Sluk i så fald for maskinen, og stop den anvendelse, der medførte overbelastningen af maskinen. Tænd derefter for maskinen for at starte igen.

## Beskyttelse mod overophedning

Hvis maskinen eller batteriet er overophedet, stopper maskinen automatisk. Lad i så fald maskinen og batteriet køle af, før du tænder for maskinen igen.

## Beskyttelse mod overafledning

Når batteriladningen er utilstrækkelig, stopper maskinen automatisk. Tag i så fald akkuen ud af maskinen, og oplad akkuen.

## Beskyttelse mod andre årsager

Beskyttelsessystemet er også designet til andre årsager, der kan beskadige maskinen og gøre det muligt for maskinen at stoppe automatisk. Træf alle følgende foranstaltninger for at fjerne årsagerne, når maskinen midlertidigt er blevet bragt til standsning eller stoppet i drift.

1. Sluk for maskinen, og tænd den igen for at genstarte.
2. Oplad batteriet/batterierne, eller udskift det/dem med genopladet/genopladede batteri/batterier.
3. Lad maskinen og batteriet/batterierne køle af.

Hvis der ikke kan findes nogen forbedring ved at gen-danne beskyttelsessystemet, skal det lokale Makita-servicecenter kontaktes.

**BEMÆRKNING:** Hvis maskinen stopper på grund af en årsag, der ikke er beskrevet ovenfor, skal du se afsnittet for fejlfinding.

## Afbryderbetjening

**⚠ ADVARSEL:** Af hensyn til din sikkerhed er denne maskine udstyret med et kontakthåndtag, som forhindrer maskinen i at starte utilsigtet. UNDLAD at bruge maskinen, hvis den kører, når du blot trykker på afbryderknappen uden at trykke på kontakthåndtaget. Returnér maskinen til vores autoriserede servicecenter for at få udført de nødvendige reparationer, FØR du tager den i brug igen.

**⚠ ADVARSEL:** UNDLAD at fastgøre kontakthåndtaget med tape eller omgå formålet eller funktionen.

**⚠ ADVARSEL:** Før akkuen sættes på maskinen, skal du altid kontrollere, at afbryderknappen og kontakthåndtaget aktiveres korrekt og går tilbage til "FRA"-stillingen, når du slipper dem. Brug af en maskine med en afbryder, som ikke fungerer korrekt, kan medføre tab af kontrollen over maskinen og alvorlig personskade.

**⚠ FORSIGTIG:** Sæt aldrig fingeren på kontakten, mens du bærer maskinen. Ellers kan maskinen starte ved et uheld og forårsage personskade.

For at starte maskinen skal du holde det forreste håndtag, mens du trykker på kontakthåndtaget og trykker på afbryderknappen. For at stoppe maskinen skal du enten slippe afbryderknappen eller kontakthåndtaget.

- **Fig.3:** 1. Forreste håndtag 2. Kontakthåndtag  
3. Afbryderknap

## Indikationslampe

- **Fig.4:** 1. Indikationslampe

Indikationslampen blinker eller lyser, når batteriet bliver lavt, eller maskinen er overbelastet. Der henvises til følgende tabel for status og foranstaltninger, der skal træffes.

Indikationslampe	Status	Handling, der skal udføres
Lampen blinker rødt.	Det resterende batteri er lavt.	Genoplad batteriet, eller udskift batteriet med et, der er ladet helt op.
Lampen lyser rødt.	Det resterende batteri er tomt.	Genoplad batteriet, eller udskift batteriet med et, der er ladet helt op.
	Maskinen er stoppet på grund af overbelastning.	Sluk for maskinen, og fjern årsagen til overbelastningen.
	Maskinen er stoppet på grund af overophedning.	Sluk for maskinen, og afkøl maskinen og batteriet.

**BEMÆRK:** Det tidspunkt, hvor indikationslampen blinker eller lyser, varierer afhængigt af temperaturen omkring arbejdsområdet og akkuens tilstand.

## Elektronisk funktion

Maskinen er udstyret med elektroniske funktioner for nem betjening.

- **Konstant hastighedskontrol**  
Funktionen til hastighedskontrol sørger for konstant rotationshastighed uanset belastningsforholdene.
- **Elektrisk bremse**  
Denne maskine er udstyret med en elektrisk bremse. Hvis maskinen konsekvent ikke stopper klingerne hurtigt efter afbryderknappen er sluppet, skal maskinen efterses hos et autoriseret Makita-servicecenter.
- **Funktion til forhindring af utilsigtet genstart**  
Selvom du installerer akkuen, mens du trykker på afbryderknappen, starter maskinen ikke. Maskinen startes ved først at slippe afbryderknappen og derefter trykke på afbryderknappen.

## SAMLING

**⚠FORSIGTIG:** Sørg altid for at maskinen er slukket, og at akkuen er taget ud, før der udføres noget arbejde på maskinen.

**⚠FORSIGTIG:** Ved udskiftning af klingerne skal du altid bære handsker, så dine hænder ikke kommer i direkte kontakt med klingerne.

**BEMÆRKNING:** Ved udskiftning af klingerne må du ikke aftørre fedtstof fra gearet og krumtappen.

## Montering eller fjernelse af klingerne

**⚠FORSIGTIG:** Monter klingedækslet, før klingerne fjernes eller monteres.

Du kan installere 500 mm eller 600 mm klinger på din maskine.

1. Fastgør klingedækslet til klingerne.  
▶ **Fig.5:** 1. Klingedæksel
2. Placer maskinen med bunden opad, afmonter derefter 6 bolte, og afmonter derefter dækslet og pladen.  
▶ **Fig.6:** 1. Bolt 2. Dæksel 3. Plade

**BEMÆRK:** Pladen kan blive siddende på dækslet.

3. Drej krumtappen med kærvsruetrækkeren, så 2 huller er vinkelret på klingerne.  
▶ **Fig.7:** 1. Krumtap 2. Hul
4. Fjern 2 bolte, filtputen og mufferne, og fjern derefter klingerne.  
▶ **Fig.8:** 1. Filtpude 2. Bolt 3. Muffe 4. Klinger
5. Afmonter klingedækslet, og fastgør det derefter til de nye klinger.  
▶ **Fig.9:** 1. Klingedæksel
6. Justér bagkanterne på klingerne som vist på figuren.  
▶ **Fig.10:** 1. Bagkant
7. Skub klingerne en smule som vist på figuren, og fastgør derefter mufferne til klingerne.  
▶ **Fig.11:** 1. Muffe

8. Skub klingedækslet en smule mod spidsen af klingerne, og fastgør derefter klingerne til maskinen.

▶ **Fig.12:** 1. Klinger

**BEMÆRKNING:** Påfør en lille mængde fedt på den indre kant af hullet i klingerne.

**BEMÆRKNING:** Pas på ikke at miste mufferne.

9. Skub klingerne og mufferne, så hullerne på mufferne flugter med hullerne på maskinen.

▶ **Fig.13:** 1. Hul på maskine 2. Hul på muffe

10. Tilspænd boltene for at fastgøre klingerne.

▶ **Fig.14:** 1. Bolt

11. Fastgør filtputen til klingerne.

▶ **Fig.15:** 1. Filtpude

12. Monter pladen.

▶ **Fig.16:** 1. Plade

13. Monter dækslet, og stram derefter 6 bolte.

▶ **Fig.17:** 1. Bolt 2. Dæksel

**BEMÆRKNING:** Hvis klingerne ikke bevæger sig jævnt, griber klingerne ikke korrekt fat i krumtappen. Monter klingerne igen.

**BEMÆRKNING:** Hvis andre dele end klingerne som f.eks. krumtappen er slidt, skal du anmode et autoriseret Makita-servicecenter om udskiftning eller reparation af dele.

## Montering eller afmontering af spånbakken

### Ekstraudstyr

**⚠FORSIGTIG:** Ved montering eller fjernelse af spånbakken skal du altid bære handsker, så dine hænder ikke kommer i direkte kontakt med klingerne.

**BEMÆRKNING:** Klingedækslet kan ikke monteres, hvis spånbakken er monteret på maskinen. Før du bærer eller opbevarer maskinen, skal du afmontere spånbakken og derefter montere klingedækslet for at undgå blottelse af klingerne.

**BEMÆRKNING:** Sørg for at fjerne klingedækslet, før spånbakken monteres.

Spånbakken opsamler fraskårne blade og gør den efterfølgende rengøring meget lettere. Den kan monteres på begge sider af maskinen.

1. Justér hullerne på spånbakken med skruerne på klingerne.  
▶ **Fig.18:** 1. Skruer
2. Fastgør spånbakkens kløer til klingernes rille.  
▶ **Fig.19:** 1. Klø 2. Rille
3. Tryk på armene på spånbakken, og fastgør derefter kløerne på den anden side til rillen på klingerne.  
▶ **Fig.20:** 1. Arm

For at fjerne spånbakken skal du trykke på armene for at frigøre kløerne.

▶ **Fig.21:** 1. Arm

**BEMÆRKNING:** Forsøg aldrig at fjerne spånbakken med magtanvendelse, når dens kroge er låst fast til klingerne.

## ANVENDELSE

**⚠ ADVARSEL:** Hold hænderne på afstand af klingerne.

**⚠ FORSIGTIG:** Undgå så vidt muligt at anvende maskinen i meget varmt vejr. Vær opmærksom på din fysiske tilstand, når du anvender maskinen.

**⚠ FORSIGTIG:** Vær forsigtig med ikke at ramme et metalhegn eller andre hårde genstande ved et uheld under trimningen. Klingerne kan gå i stykker og forårsage personskade.

**⚠ FORSIGTIG:** Vær forsigtig med ikke at lade klingerne komme i kontakt med jorden. Maskinen kan slå tilbage og forårsage personskade.

**⚠ FORSIGTIG:** Det er ekstremt farligt at strække sig for langt med en hæktrimmer, især fra en stige. Undlad at arbejde, mens du står på en ustabil eller usikker platform.

**BEMÆRKNING:** Forsøg ikke at klippe grene, der er tykkere end 10 mm i diameter, med maskinen. Beskær grene til 10 cm under skærehøjden ved hjælp af en grensaks, før du bruger denne maskine.

► Fig.22: (1) Skærehøjde (2) 10 cm

**BEMÆRKNING:** Undlad at beskære døde træer eller lignende hårde genstande. Hvis du gør dette, kan det beskadige maskinen.

**BEMÆRKNING:** Undlad at trimme græs eller ukrudt, mens du bruger klingerne. Klingerne kan blive viklet ind i græsset eller ukrudtet.

Hold fast i maskinen med begge hænder, hold fast i det forreste håndtag, mens du trykker på kontakthåndtaget og trækker i afbryderknappen, og flyt derefter maskinen fremad.

► Fig.23

Ved almindelig brug skal du vippe klingerne i trimningsretningen og flytte den roligt og langsomt med en hastighed på 3 til 4 sekunder pr. meter.

► Fig.24

For at klippe toppen af en hæk jævnt skal du binde en snor i den ønskede højde og klippe langs med den.

► Fig.25

Hvis spånbakken er monteret på klingerne, opsamler den bortskårne blade og gør den efterfølgende oprydning meget lettere.

► Fig.26

For at klippe siden af en hæk jævnt skal du klippe fra bunden mod toppen.

► Fig.27

Ved beskæring for at opnå en rund form (trimning af buksbom eller rododendron osv.) skal du trimme fra roden mod toppen for at opnå en flot finish.

► Fig.28

## VEDLIGEHOLDELSE

**⚠ FORSIGTIG:** Vær altid sikker på, at værktøjet er slukket, og at akkuen er taget ud, inden De begynder at udføre inspektion eller vedligeholdelse.

For at opretholde produktets SIKKERHED og PÅLIDELIGHED må reparation, vedligeholdelse eller justering kun udføres af et autoriseret Makita servicecenter eller fabrikksservicecenter med anvendelse af Makita reservedele.

### Rengøring af maskinen

Rengør maskinen ved at aftørre støv med en tør klud eller en klud, der er dyppet i sæbevand og vredet.

**BEMÆRKNING:** Anvend aldrig benzin, rensebenzin, fortynder, alkohol og lignende. Det kan medføre misfarvning, deformering eller revner.

### Vedligeholdelse af klinger

Før brugen eller én gang i timen under brug skal du smøre olie med lav viskositet (maskinolie eller smørelolie af spraytypen) på klingerne.

► Fig.29

Efter brugen skal du fjerne støv fra begge sider af klingerne med en trådbørste, tørre dem af med en klud og derefter smøre olie med lav viskositet (maskinolie eller smørelolie af spraytypen) på klingerne.

► Fig.30

**BEMÆRKNING:** Undgå at vaske klingerne i vand. Dette kan medføre rust eller beskadigelse af maskinen.

**BEMÆRKNING:** Snavs og rust medfører kraftig klingefriktion og forkorter driftstiden mellem batteriopladninger.

### Opbevaring

Kroghullet i bunden af maskinen er praktisk til at hænge maskinen på et søm eller en skrue i væggen. Monter klingedækslet på klingerne, så klingerne ikke er blottet. Opbevar maskinen utilgængeligt for børn. Opbevar maskinen på et sted, der ikke er udsat for fugt eller regn.

► Fig.31: 1. Hul



## Slibning af klingerne

**BEMÆRKNING:** Hvis klingerne er alvorligt deformerede ved slibning, skal du udskifte klingerne med nye.

1. Monter akkuen på maskinen.
2. Tænd for og start maskinen, så den øverste klinge og nederste klinge er placeret på skift af hinanden.  
► **Fig.32**
3. Sluk for maskinen, og tag akkuen ud af maskinen.
4. Indstil vinklen på en fil til 35°, og slib den øverste klinge fra 2 retninger med filen.  
► **Fig.33:** (1) Fil (2) 35°

**⚠FORSIGTIG:** Sørg altid for, at der er slukket for maskinen, og at akkuen er fjernet fra maskinen, før klingerne slibes.

5. Vend maskinen med bunden i vejret, og fjern derefter graterne fra klingerne ved hjælp af afrettestenen.  
► **Fig.34:** 1. Afrettesten
6. Indstil vinklen på filen til 35°, og slib den nederste klinge fra 2 retninger med filen.
7. Vend maskinen tilbage til den normale stilling, og fjern derefter graterne fra klingerne ved hjælp af afrettestenen.

## Smøring med fedt

**Smøringsinterval:** Hver 50 driftstimer

1. Fjern boltene fra hullet til smøring.  
► **Fig.35:** 1. Bolt
2. Afmontér hættten fra fedtbeholderen. Justér fedtbeholderens udløb med hullet på dækslet, og drej derefter fedtbeholderen for at fastgøre udløbet på fedtbeholderen til hullet.  
► **Fig.36:** 1. Fedtbeholder 2. Hul
3. Fyld fedt på maskinen (Som tommelfingerregel cirka 3 g).
4. Fjern fedtbeholderen.
5. Stram boltene.

## FEJLFINDING

Udfør selv en inspektion, inden De anmoder om reparation. Hvis De opdager et problem, som ikke er forklaret i brugsanvisningen, må De ikke forsøge at adskille maskinen. Rådfør Dem i stedet med et autoriseret Makita Servicecenter, og brug altid originale Makita udskiftingsdele til reparationer.

Unormal tilstand	Sandsynlig årsag (fej)	Afhjælpning
Motoren kører ikke.	Akkuen er ikke indsat.	Indsæt akkuen.
	Problem med batteriet (for lav spænding)	Genoplad batteriet. Udskift batteriet, hvis genopladning ikke er effektiv.
	Drevsystemet fungerer ikke korrekt.	Kontakt det lokale autoriserede servicecenter for reparation.
Motoren holder op med at køre efter kort tids brug.	Batteriets opladningsniveau er for lavt.	Genoplad batteriet. Udskift batteriet, hvis genopladning ikke er effektiv.
	Overophedning.	Hold op med at bruge maskinen, så den kan køle ned.
Maskinen når ikke maks. antal omdrejninger pr. minut (RPM).	Batteriet er indsat forkert.	Indsæt akkuen som beskrevet i denne brugervejledning.
	Batteriladningen falder.	Genoplad batteriet. Udskift batteriet, hvis genopladning ikke er effektiv.
	Drevsystemet fungerer ikke korrekt.	Kontakt det lokale autoriserede servicecenter for reparation.
Klinger bevæger sig ikke: ⇒ Stop maskinen med det samme!	Der sidder fremmedlegemer fast mellem klingerne.	Sluk for maskinen, og afmontér akkuen, og fjern derefter fremmedlegemerne ved hjælp af værktøj som f.eks. en tang.
	Drevsystemet fungerer ikke korrekt.	Kontakt det lokale autoriserede servicecenter for reparation.
Unormal vibration: ⇒ Stop maskinen med det samme!	Klingerne er knækket, bøjet eller slidt.	Udskift klingerne.
	Drevsystemet fungerer ikke korrekt.	Kontakt det lokale autoriserede servicecenter for reparation.
Klingerne og motoren kan ikke stoppe: ⇒ Fjern batteriet med det samme!	Elektrisk funktionsfejl.	Fjern batteriet, og kontakt det lokale autoriserede servicecenter for reparation.



# EKSTRAUDSTYR

**⚠️ FORSIGTIG:** Det følgende tilbehør og ekstraudstyr er anbefalet til brug med Deres Makita maskine, der er beskrevet i denne brugsanvisning. Anvendelse af andet tilbehør eller ekstraudstyr kan udgøre en risiko for personskade. Anvend kun tilbehør og ekstraudstyr til det beskrevne formål.

Hvis De behøver hjælp ved valg af tilbehør eller ønsker yderligere informationer, bedes De kontakte Deres lokale Makita servicecenter.

- Klingemontering
- Dæksel til klinge
- Spånbakke
- Fedtbeholder
- Original Makita akku og oplader

**BEMÆRK:** Nogle ting på denne liste kan være inkluderet i værktøjspakken som standardtilbehør. Det kan være forskellige fra land til land.

## ΠΡΟΔΙΑΓΡΑΦΕΣ

Μοντέλο:		DUH506	DUH606
Μήκος λάμας		500 mm	600 mm
Διαδρομές ανά λεπτό		4.000 min <sup>-1</sup>	
Συνολικό μήκος (Χωρίς μπαταρία)		846 mm	965 mm
Ονομαστική τάση		D.C. 18 V	
Καθαρό βάρος	*1	2,2 kg	2,3 kg
	*2	2,5 - 2,9 kg	2,7 - 3,0 kg

- Λόγω του συνεχιζόμενου προγράμματος έρευνας και ανάπτυξης, οι προδιαγραφές αυτές υπόκεινται σε αλλαγές χωρίς προειδοποίηση.
- Τα τεχνικά χαρακτηριστικά μπορεί να διαφέρουν από χώρα σε χώρα.
- \*1: Βάρος χωρίς αξεσουάρ ή κασέτα(-ες) μπαταριών
- \*2: Το βάρος μπορεί να διαφέρει ανάλογα με τα προσαρτήματα, συμπεριλαμβανοντας την κασέτα μπαταριών. Οι ελαφρύτεροι και βαρύτεροι συνδυασμοί, σύμφωνα με τη διαδικασία ΕΡΤΑ 01/2014, απεικονίζονται στον πίνακα.

## Ισχύουσα κασέτα μπαταριών και φορτιστής

Κασέτα μπαταρίας	BL1815N / BL1820B / BL1830B / BL1840B / BL1850B / BL1860B
Φορτιστής	DC18RC / DC18RD / DC18RE / DC18SD / DC18SE / DC18SF / DC18SH / DC18WC

- Ορισμένες από τις κασέτες και τους φορτιστές μπαταριών που αναγράφονται παραπάνω ίσως να μην είναι διαθέσιμοι, ανάλογα με την τοποθεσία κατοικίας σας.

**⚠ ΠΡΟΕΙΔΟΠΟΙΗΣΗ:** Να χρησιμοποιείτε μόνο τις κασέτες μπαταριών και τους φορτιστές που παρατίθενται ανωτέρω. Η χρήση οποιασδήποτε άλλης κασέτας μπαταριών ή φορτιστή μπορεί να προκαλέσει τραυματισμό ή/και πυρκαγιά.






## Συνιστώμενη ενσύρματη πηγή τροφοδοσίας

Φορητή ηλεκτρική τροφοδότηση	PDC01
------------------------------	-------

- Οι ενσύρματες πηγές τροφοδοσίας που αναγράφονται παραπάνω μπορεί να μην είναι διαθέσιμες, ανάλογα με την περιοχή της κατοικίας σας.
- Πριν χρησιμοποιήσετε την ενσύρματη πηγή τροφοδοσίας, διαβάστε τις οδηγίες και τις ενδείξεις προφυλάξεων που αναγράφονται σε αυτή.

## Σύμβολα

Παρακάτω παρουσιάζονται τα σύμβολα που μπορούν να χρησιμοποιηθούν για τον εξοπλισμό. Βεβαιωθείτε ότι κατανοείτε τη σημασία τους πριν από τη χρήση.

	Διαβάστε το εγχειρίδιο οδηγιών.
	Να φοράτε προστασία ματιών.
	ΚΙΝΔΥΝΟΣ - Κρατήστε τα χέρια μακριά από τη λάμα.
	Μην εκθέτετε σε υγρασία.
	Να φοράτε προστασία ματιών και γυαλιά ασφαλείας.



Μην εκθέτετε σε βροχή.



Μόνο για τις χώρες της ΕΕ  
Λόγω της παρουσίας των επικινδύνων συστατικών μερών στον εξοπλισμό, ο απόβλητος ηλεκτρικός και ηλεκτρονικός εξοπλισμός, οι συσσωρευτές και οι μπαταρίες μπορεί να έχουν αρνητική επίδραση στο περιβάλλον και την ανθρώπινη υγεία. Μην απορρίπτετε τις ηλεκτρικές και ηλεκτρονικές συσκευές ή μπαταρίες μαζί με τα οικιακά απορρίμματα!  
Σύμφωνα με την Ευρωπαϊκή Οδηγία για τον απόβλητο ηλεκτρικό και ηλεκτρονικό εξοπλισμό και για τους συσσωρευτές και μπαταρίες και τους απόβλητους συσσωρευτές και μπαταρίες, καθώς και την προσαρμογή τους στην εθνική νομοθεσία, ο απόβλητος ηλεκτρικός εξοπλισμός, οι μπαταρίες και οι συσσωρευτές θα πρέπει να αποθηκεύονται ξεχωριστά και να παραδίδονται σε ξεχωριστό σημείο συλλογής για δημόσια απόβλητα, το οποίο λειτουργεί σύμφωνα με τους κανονισμούς για την προστασία του περιβάλλοντος. Αυτό υποδεικνύεται από το σύμβολο του διαγραμμένου τροχοφόρου κάδου που βρίσκεται αναρτημένο επάνω στον εξοπλισμό.



Εγγυημένη στάθμη ηχητικής ισχύος σύμφωνα με την Οδηγία της ΕΕ για την εκπομπή θορύβου σε εξωτερικούς χώρους.



Στάθμη ηχητικής ισχύος σύμφωνα με τον Κανονισμό ελέγχου θορύβου της Νέας Νότιας Ουαλίας της Αυστραλίας

## Προοριζόμενη χρήση

Το εργαλείο προορίζεται για το ψαλίδισμα μπροντούρας.

## Θόρυβος

Το τυπικό Α επίπεδο καταμετρημένου θορύβου καθορίζεται σύμφωνα με το EN62841-4-2:

Μοντέλο	Στάθμη ηχητικής πίεσης		Εγγυημένο επίπεδο ηχητικής ισχύος	Μετρούμενο επίπεδο ηχητικής ισχύος	
	$L_{pA}$ (dB(A))	Αβεβαιότητα K (dB(A))	$L_{WA}$ (dB(A))	$L_{WA}$ (dB(A))	Αβεβαιότητα K (dB(A))
DUH506	80	3	90	88	1,8
DUH606	82	3	92	90	1,9

**ΠΑΡΑΤΗΡΗΣΗ:** Η δηλωμένη τιμή(ές) εκπομπής θορύβου έχει μετρηθεί σύμφωνα με την πρότυπη μέθοδο δοκιμής και μπορεί να χρησιμοποιηθεί για τη σύγκριση ενός εργαλείου με κάποιο άλλο.

**ΠΑΡΑΤΗΡΗΣΗ:** Η δηλωμένη τιμή(ές) εκπομπής θορύβου μπορεί να χρησιμοποιηθεί και στην προκαταρκτική αξιολόγηση της έκθεσης.

**⚠ ΠΡΟΕΙΔΟΠΟΙΗΣΗ:** Να φοράτε ωτοασπίδες.

**⚠ ΠΡΟΕΙΔΟΠΟΙΗΣΗ:** Η εκπομπή θορύβου κατά τη χρήση του ηλεκτρικού εργαλείου σε πραγματικές συνθήκες μπορεί να διαφέρει από τη δηλωμένη τιμή(ές) ανάλογα με τους τρόπους χρήσης του εργαλείου, ιδιαίτερα το είδος του τεμαχίου εργασίας που υπόκειται επεξεργασία.

**⚠ ΠΡΟΕΙΔΟΠΟΙΗΣΗ:** Φροντίστε να λάβετε τα κατάλληλα μέτρα προστασίας του χειριστή βάσει ενός υπολογισμού της έκθεσης σε πραγματικές συνθήκες χρήσης (λαμβάνοντας υπόψη όλες τις συνιστώσες του κύκλου λειτουργίας όπως τους χρόνους που το εργαλείο είναι εκτός λειτουργίας και όταν βρίσκεται σε αδρανή λειτουργία πέραν του χρόνου ενεργοποίησης).

## Κραδασμός

Η ολική τιμή δόνησης (άθροισμα τρι-αξονικού διανύσματος) καθορίζεται σύμφωνα με το EN62841-4-2:

Μοντέλο	Μπροστινή λαβή		Πίσω λαβή	
	ah (m/s <sup>2</sup> )	Αβεβαιότητα K (m/s <sup>2</sup> )	ah (m/s <sup>2</sup> )	Αβεβαιότητα K (m/s <sup>2</sup> )
DUH506	2,5 m/s <sup>2</sup> ή λιγότερο	1,5	2,5 m/s <sup>2</sup> ή λιγότερο	1,5
DUH606	2,5 m/s <sup>2</sup> ή λιγότερο	1,5	2,5 m/s <sup>2</sup> ή λιγότερο	1,5

**ΠΑΡΑΤΗΡΗΣΗ:** Η δηλωμένη τιμή(ές) συνολικών κραδασμών έχει μετρηθεί σύμφωνα με την πρότυπη μέθοδο δοκιμής και μπορεί να χρησιμοποιηθεί για τη σύγκριση ενός εργαλείου με κάποιο άλλο.

**ΠΑΡΑΤΗΡΗΣΗ:** Η δηλωμένη τιμή(ές) συνολικών κραδασμών μπορεί να χρησιμοποιηθεί και στην προκαταρκτική αξιολόγηση της έκθεσης.

**⚠ ΠΡΟΕΙΔΟΠΟΙΗΣΗ:** Η εκπομπή κραδασμών κατά τη χρήση του ηλεκτρικού εργαλείου σε πραγματικές συνθήκες μπορεί να διαφέρει από τη δηλωμένη τιμή(ές) εκπομπής ανάλογα με τους τρόπους χρήσης του εργαλείου, ιδιαίτερα το είδος του τεμαχίου εργασίας που υπόκειται επεξεργασία.

**⚠ ΠΡΟΕΙΔΟΠΟΙΗΣΗ:** Φροντίστε να λάβετε τα κατάλληλα μέτρα προστασίας του χειριστή βάσει ενός υπολογισμού της έκθεσης σε πραγματικές συνθήκες χρήσης (λαμβάνοντας υπόψη όλες τις συνιστώσες του κύκλου λειτουργίας όπως τους χρόνους που το εργαλείο είναι εκτός λειτουργίας και όταν βρίσκεται σε αδρανή λειτουργία πέραν του χρόνου ενεργοποίησης).

## Δήλωση Συμμόρφωσης

### Μόνο για χώρες της Ευρώπης

Οι Δήλωση Συμμόρφωσης περιλαμβάνονται στο Παράρτημα Α στο παρόν εγχειρίδιο οδηγιών.

## ΠΡΟΕΙΔΟΠΟΙΗΣΕΙΣ ΑΣΦΑΛΕΙΑΣ

### Γενικές προειδοποιήσεις ασφαλείας για το ηλεκτρικό εργαλείο

**▲ΠΡΟΕΙΔΟΠΟΙΗΣΗ** Διαβάστε όλες τις προειδοποιήσεις ασφάλειας, οδηγίες, εικονογραφήσεις και προδιαγραφές που παρέχονται με αυτό το ηλεκτρικό εργαλείο. Η μη τήρηση όλων των οδηγιών που αναγράφονται κατωτέρω μπορεί να καταλήξει σε ηλεκτροπληξία, πυρκαγιά ή/και σοβαρό τραυματισμό.

### Φυλάξτε όλες τις προειδοποιήσεις και τις οδηγίες για μελλοντική παραπομπή.

Στις προειδοποιήσεις, ο όρος «ηλεκτρικό εργαλείο» αναφέρεται σε ηλεκτρικό εργαλείο που τροφοδοτείται από την κύρια παροχή ηλεκτρικού ρεύματος (με ηλεκτρικό καλώδιο) ή σε ηλεκτρικό εργαλείο που τροφοδοτείται από μπαταρία (χωρίς ηλεκτρικό καλώδιο).

### Προειδοποιήσεις ασφαλείας για το φορητό ψαλίδι μπορντούρας

1. Μην χρησιμοποιείτε το ψαλίδι μπορντούρας σε άσχημες καιρικές συνθήκες, ειδικά όταν υπάρχει κίνδυνος κεραυνών. Αυτό μειώνει τον κίνδυνο να χτυπηθείτε από κεραυνό.
2. Να κρατάτε όλα τα ηλεκτρικά καλώδια και τα σύρματα μακριά από την περιοχή κοπής. Τα ηλεκτρικά καλώδια ή τα σύρματα μπορεί να είναι κρυμμένα στις μπορντούρες ή τους θάμνους και να κοπούν κατά λάθος από τη λάμα.
3. Φοράτε ωτοασπίδες. Ο επαρκής προστατευτικός εξοπλισμός θα μειώσει τον κίνδυνο απώλειας της ακοής.
4. Κρατάτε το ψαλίδι μπορντούρας μόνο από τις μονωμένες επιφάνειες λαβής επειδή η λάμα μπορεί να κάνει επαφή με το κρυμμένο καλώδιο. Σε περίπτωση επαφής των λαμών με ηλεκτροφόρο καλώδιο, μπορεί να εκτεθειμένα μεταλλικά εξαρτήματα του ψαλιδιού μπορντούρας να καταστούν τα ίδια ηλεκτροφόρα και να προκαλέσουν ηλεκτροπληξία στο χειριστή.
5. Απομακρύνετε όλα τα μέρη του σώματος από τη λάμα. Μην αφαιρείτε το κομμένο υλικό και μην κρατάτε το υλικό προς κοπή όταν οι λάμες κινούνται. Οι λάμες συνεχίζουν να κινούνται μετά την απενεργοποίηση του διακόπτη. Μια στιγμή απροσεξίας κατά τη διάρκεια χειρισμού του ψαλιδιού μπορντούρας μπορεί να προκαλέσει σοβαρό προσωπικό τραυματισμό.

6. Όταν καθαρίζετε μπλοκαρισμένο υλικό ή πραγματοποιείτε σέρβις στο ψαλίδι μπορντούρας, να βεβαιώνεστε ότι όλοι οι διακόπτες λειτουργίας είναι σβηστοί και η κασέτα μπαταριών έχει αφαιρεθεί ή αποσυνδεθεί. Η απρόσμενη ενεργοποίηση του ψαλιδιού μπορντούρας κατά τον καθαρισμό του μπλοκαρισμένου υλικού ή το σέρβις μπορεί να έχει ως αποτέλεσμα σοβαρό προσωπικό τραυματισμό.
7. Μεταφέρετε το ψαλίδι μπορντούρας από τη λαβή με τη λάμα σταματημένη και προσέχετε να μην θέσετε τον διακόπτη λειτουργίας σε λειτουργία. Η σωστή μεταφορά του ψαλιδιού μπορντούρας θα μειώσει τον κίνδυνο αθλήτης έναρξης και τον επακόλουθο προσωπικό τραυματισμό από τις λάμες.
8. Κατά τη μεταφορά ή την αποθήκευση του ψαλιδιού μπορντούρας, να τοποθετείτε πάντα το κάλυμμα λαμών. Ο σωστός χειρισμός του ψαλιδιού μπορντούρας θα μειώσει τον κίνδυνο προσωπικού τραυματισμού από τις λάμες.

### Πρόσθετες προειδοποιήσεις ασφάλειας

#### Προετοιμασία

1. Ελέγχετε τους φράχτες από θάμνους και τους θάμνους για ξένα αντικείμενα, όπως συρμάτινους φράχτες ή κρυμμένα καλώδια, πριν θέσετε σε λειτουργία το εργαλείο.
2. Το εργαλείο δεν πρέπει να χρησιμοποιείται από παιδιά και νέους κάτω των 18 ετών. Ξεαιρούνται από αυτήν την απαγόρευση οι νέοι άνω των 16 ετών που εκπαιδεύονται υπό την επίβλεψη ειδικού.
3. Όσοι χρησιμοποιούν το εργαλείο για πρώτη φορά θα πρέπει να ζητήσουν από έναν έμπειρο χρήστη να τους δείξει πώς να χρησιμοποιήσουν το εργαλείο.
4. Να χρησιμοποιείτε το εργαλείο μόνο αν βρισκόσαστε σε καλή σωματική κατάσταση. Αν είστε κουρασμένοι, η προσοχή σας θα είναι μειωμένη. Προσέξτε ιδιαίτερα κατά το τέλος της μέρας εργασίας. Εκτελέστε όλες τις εργασίες με ηρεμία και προσοχή. Ο χρήστης είναι υπεύθυνος για όλες τις ζημιές σε άλλα άτομα.
5. Μην χρησιμοποιείτε ποτέ το εργαλείο υπό την επήρεια αλκοόλ, ναρκωτικών ουσιών ή φαρμάκων.
6. Τα γάντια εργασίας από ανθεκτικό δέρμα αποτελούν μέρος του βασικού εξοπλισμού του εργαλείου και πρέπει πάντα να φοριούνται κατά την εργασία με αυτό. Επίσης, να φοράτε σταθερά παπούτσια με αντιολισθητικές σόλες.
7. Πριν ξεκινήσετε οποιαδήποτε εργασία, ελέγξτε για να βεβαιωθείτε ότι το εργαλείο βρίσκεται σε καλή και ασφαλή κατάσταση εργασίας. Βεβαιωθείτε ότι οι προφυλακτικές είναι τοποθετημένα σωστά. Το εργαλείο δεν πρέπει να χρησιμοποιηθεί αν δεν είναι πλήρως συναρμολογημένο.
8. Όταν δίνετε το ψαλίδι μπορντούρας σε ένα άλλο άτομο, πρώτα αφήστε το ψαλίδι μπορντούρας στο έδαφος. Το άλλο άτομο μπορεί να σηκώσει το ψαλίδι μπορντούρας αφού εσείς απομακρύνετε εντελώς το χέρι σας από αυτό. Όταν δίνετε το ψαλίδι μπορντούρας κατευθείαν στα χέρια του άλλου ατόμου, κρατάτε την μπροστινή λαβή και την πίσω λαβή ταυτόχρονα και το ψαλίδι μπορντούρας μπορεί να εκκινήσει κατά λάθος. Η κατά λάθος εκκίνηση μπορεί να προκαλέσει σοβαρό τραυματισμό.

## Λειτουργία

1. Κρατήστε το εργαλείο σταθερά και με τα δύο χέρια όταν χρησιμοποιείτε το εργαλείο.
2. Το εργαλείο προορίζεται για χρήση από το χειριστή στο επίπεδο του εδάφους. Μην χρησιμοποιείτε το εργαλείο σε σκάλες ή οποιαδήποτε άλλα ασταθή στήριξη.
3. **KINΔΥΝΟΣ** - Να διατηρείτε τα χέρια σας μακριά από τη λάμα. Η επαφή με τη λάμα θα έχει ως αποτέλεσμα σοβαρό προσωπικό τραυματισμό.
4. Μην χρησιμοποιήσετε το εργαλείο στη βροχή ή σε βρεγμένες ή πολύ νωπές συνθήκες. Το ηλεκτρικό μοτέρ δεν είναι αδιάβροχο.
5. Να βεβαιώνετε ότι στέκεστε σταθερά πριν ξεκινήσετε μια εργασία.
6. Μη θέτετε το εργαλείο σε λειτουργία χωρίς φορτίο όταν αυτό δεν είναι απαραίτητο.
7. Να σβήνετε αμέσως το εργαλείο και να βγάξετε την κασέτα μπαταριών αν οι λάμες κουρευτικού έρθουν σε επαφή με φράχτη ή άλλο σκληρό αντικείμενο. Ελέγξτε τις λάμες για ζημιά και, αν υπάρχει ζημιά, αντικαταστήστε αμέσως τις λάμες.
8. Πριν ελέγξετε τις λάμες κουρευτικού, διορθώστε τυχόν βλάβες ή αφαιρέστε υλικά που πιάνονται στις λάμες κουρευτικού, να σβήνετε πάντα το εργαλείο και να βγάξετε την κασέτα μπαταριών.
9. Μην στρέψετε ποτέ τις λάμες κουρευτικού προς το μέρος σας ή προς τους άλλους.
10. Αν οι λάμες σταματήσουν να κινούνται επειδή κόλλησαν ξένα αντικείμενα μεταξύ των λαμών κατά τη λειτουργία, σβήστε το εργαλείο και αφαιρέστε την κασέτα μπαταριών, μετά αφαιρέστε το ξένο αντικείμενο χρησιμοποιώντας κάποιο εργαλείο, όπως μια πένσα. Η αφαίρεση των ξένων αντικειμένων με το χέρι μπορεί να προκαλέσει τραυματισμό, επειδή οι λάμες μπορεί να κινηθούν σε αντίδραση της αφαίρεσης των ξένων αντικειμένων.

## Ηλεκτρική ασφάλεια και ασφάλεια μπαταρίας

1. Να αποφεύγετε τα επικίνδυνα περιβάλλοντα. Μην χρησιμοποιείτε το εργαλείο σε υγραμένο ή υγρό χώρο ούτε να το εκθέτετε στη βροχή. Η είσοδος νερού στο εργαλείο μπορεί να αυξήσει τον κίνδυνο πρόκλησης ηλεκτροπληξίας.
2. Μη απορρίπτετε την μπαταρία(ιες) στη φωτιά. Το κελί μπορεί να εκραγεί. Συμβουλευτείτε τους τοπικούς κώδικες για πιθανές ειδικές οδηγίες απόρριψης.
3. Μη απορρίπτετε και μην καταστρέψετε την μπαταρία(ιες). Ο ηλεκτρολύτης που εκλύεται είναι διαβρωτικός και μπορεί να προκαλέσει ζημιά στα μάτια ή στο δέρμα. Σε περίπτωση κατάποσης, μπορεί να είναι τοξικό.
4. Μη φορτίζετε την μπαταρία στη βροχή, αλλά ούτε σε υγρές τοποθεσίες.
5. Μην φορτίζετε τη μπαταρία σε εξωτερικό χώρο.
6. Μην χειρίζεστε τον φορτιστή, συμπεριλαμβανομένου του φινιρίσματος φορτιστή, και τους ακροδέκτες φορτιστή με βρεγμένα χέρια.

## Συντήρηση και αποθήκευση

1. Σβήστε το εργαλείο και βγάλτε την κασέτα μπαταρίας πριν εκτελέσετε οποιαδήποτε εργασία συντήρησης.
2. Όταν μετακινείτε το εργαλείο σε άλλη τοποθεσία, συμπεριλαμβανοντας κατά τη διάρκεια της εργασίας, να αφαιρείτε πάντα την κασέτα μπαταριών και να τοποθετείτε το κάλυμμα λαμών στις λάμες κουρευτικού. Μην μεταφέρετε ποτέ το εργαλείο με τις λάμες σε λειτουργία. Μην πιάνετε ποτέ τις λάμες με τα χέρια σας.
3. Να καθαρίζετε το εργαλείο, και ειδικά τις λάμες κουρευτικού, μετά τη χρήση και πριν τοποθετήσετε το εργαλείο για αποθήκευση για μεγάλες χρονικές περιόδους. Πιάνετε ελαφρά τις λάμες και τοποθετήστε το κάλυμμα λαμών.
4. Αποθηκεύστε το εργαλείο με τοποθετημένο το κάλυμμα λαμών, σε ένα δωμάτιο χωρίς υγρασία. Φυλάξτε το μακριά από παιδιά. Μην αποθηκεύετε ποτέ το εργαλείο σε εξωτερικό χώρο.
5. Μη απορρίπτετε την μπαταρία(ιες) στη φωτιά. Το κελί μπορεί να εκραγεί. Συμβουλευτείτε τους τοπικούς κώδικες για πιθανές ειδικές οδηγίες απόρριψης.
6. Μη απορρίπτετε και μην καταστρέψετε την μπαταρία(ιες). Ο ηλεκτρολύτης που εκλύεται είναι διαβρωτικός και μπορεί να προκαλέσει ζημιά στα μάτια ή στο δέρμα. Σε περίπτωση κατάποσης, μπορεί να είναι τοξικό.

## ΦΥΛΑΞΤΕ ΤΙΣ ΟΔΗΓΙΕΣ ΑΥΤΕΣ.

**▲ΠΡΟΕΙΔΟΠΟΙΗΣΗ:** ΜΗΝ επιτρέψετε το βαθμό άνεσης ή εξοικείωσης με το προϊόν (λόγω επανειλημμένης χρήσης) να αντικαταστήσει την αυστηρή τήρηση των κανόνων ασφαλείας του παρόντος εργαλείου. Η **ΛΑΝΘΑΣΜΕΝΗ ΧΡΗΣΗ** ή η αμέλεια να ακολουθήσετε τους κανόνες ασφαλείας που διατυπώνονται στο παρόν εγχειρίδιο οδηγιών μπορεί να προκαλέσει σοβαρό προσωπικό τραυματισμό.

## Σημαντικές οδηγίες ασφάλειας για κασέτα μπαταριών

1. Πριν χρησιμοποιήσετε την κασέτα μπαταριών, διαβάστε όλες τις οδηγίες και σημειώσεις προφύλαξης (1) στον φορτιστή μπαταριών, (2) στην μπαταρία και (3) στο προϊόν που χρησιμοποιεί την μπαταρία.
2. Μην αποσυρμολογήσετε ή παραβιάσετε την κασέτα μπαταριών. Μπορεί να έχει ως αποτέλεσμα πυρκαγιά, υπερθέρμανση ή έκρηξη.
3. Εάν ο χρόνος λειτουργίας έχει γίνει υπερβολικά βραχύς, σταματήστε τη λειτουργία αμέσως. Αλλιώς, μπορεί να έχει ως αποτέλεσμα κίνδυνο υπερθέρμανσης, πιθανά εγκαύματα ή ακόμη και έκρηξη.
4. Εάν ηλεκτρολύτης μπει στα μάτια σας, ξεπλύνετε τα με καθαρό νερό και ζητήστε ιατρική φροντίδα αμέσως. Αλλιώς, μπορεί να έχει ως αποτέλεσμα απώλεια της όρασης σας.

5. **Μη βραχυκυκλώνετε την κασέτα μπαταριών:**
  - (1) **Μην αγγίζετε τους πόλους με οτιδήποτε αγώγιμο υλικό.**
  - (2) **Αποφεύγετε να αποθηκεύετε την κασέτα μπαταριών μέσα σε ένα δοχείο μαζί με άλλα μεταλλικά αντικείμενα όπως καρφιά, νομίσματα, κλπ.**
  - (3) **Μην εκθέτετε την κασέτα μπαταριών στο νερό ή στη βροχή.**  
Ένα βραχυκύκλωμα μπαταρίας μπορεί να προκαλέσει μεγάλη ροή ρεύματος, υπερθέρμανση, πιθανά εγκαύματα ακόμη και σοβαρή βλάβη.
6. **Μην αποθηκεύετε και μην χρησιμοποιείτε το εργαλείο και την κασέτα μπαταριών σε τοποθεσίες όπου η θερμοκρασία μπορεί να φτάσει ή να ξεπεράσει τους 50°C.**
7. **Μην καίτε την κασέτα μπαταριών ακόμη και εάν έχει σοβαρή ζημιά ή είναι εντελώς φθαρμένη. Η κασέτα μπαταριών μπορεί να εκραγεί στη φωτιά.**
8. **Μην καρφώσετε, κόψετε, συνθλίψετε, πετάξετε ή ρίξετε κάτω την κασέτα μπαταριών, ούτε να χτυπήσετε ένα σκληρό αντικείμενο επάνω στην κασέτα μπαταριών.** Τέτοια συμπεριφορά μπορεί να έχει ως αποτέλεσμα πυρκαγιά, υπερθέρμανση ή έκρηξη.
9. **Μη χρησιμοποιείτε μπαταρία που έχει υποστεί ζημιά.**
10. **Οι μπαταρίες ιόντων λιθίου που περιέχονται υπόκεινται στις απαιτήσεις της νομοθεσίας για επικίνδυνα αγαθά.**

Για εμπορικές μεταφορές, για παράδειγμα από τρίτα μέρη, πρέπει να τηρούνται οι διαμεταφορές, οι ειδικές απαιτήσεις στη συσκευασία και η επισήμανση.

Για προετοιμασία του στοιχείου που αποστέλλεται, είναι απαραίτητο να συμβουλευτείτε έναν ειδικό για επικίνδυνα υλικά. Επίσης, τηρήστε τους πιθανούς, πιο αναλυτικούς εθνικούς κανονισμούς. Καλύψτε με αυτοκόλλητη ταινία ή κρύψτε τις ανοικτές επαφές και συσκευάστε την μπαταρία με τρόπο που να μην μπορεί να μετακινείται μέσα στη συσκευασία.

11. **Όταν απορρίπτετε την κασέτα μπαταριών, αφαιρέστε την από το εργαλείο και διαθέστε την σε ένα ασφαλές μέρος. Τηρήστε τους τοπικούς κανονισμούς που σχετίζονται με τη διάθεση της μπαταρίας.**
12. **Χρησιμοποιήστε τις μπαταρίες μόνο με τα προϊόντα που καθορίζει η Makita.** Αν τοποθετήσετε τις μπαταρίες σε μη συμβατά προϊόντα μπορεί να έχει ως αποτέλεσμα πυρκαγιά, υπερβολική θερμότητα, έκρηξη ή διαρροή ηλεκτρολύτη.
13. **Αν δεν χρησιμοποιείτε το εργαλείο για μεγάλο χρονικό διάστημα, πρέπει να βγάλετε την μπαταρία από το εργαλείο.**
14. **Κατά τη διάρκεια και μετά τη χρήση, η κασέτα μπαταριών μπορεί να θερμανθεί, γεγονός που μπορεί να προκαλέσει εγκαύματα ή εγκαύματα από χαμηλή θερμοκρασία. Προσέχετε το χειρισμό των ζεστών κασετών μπαταριών.**
15. **Μην αγγίζετε τον ακροδέκτη του εργαλείου αμέσως μετά τη χρήση επειδή μπορεί να έχει ζεσταθεί αρκετά για να προκαλέσει εγκαύματα.**
16. **Μην αφήνετε θραύσματα, σκόνη ή βρομιά να κολλήσει στους ακροδέκτες, τις οπές και τις εγκοπές της κασέτας μπαταριών.** Μπορεί να προκαλέσει θέρμανση, φωτιά, έκρηξη και δυσλειτουργία του εργαλείου ή της κασέτας μπαταριών, έχοντας ως αποτέλεσμα εγκαύματα ή προσωπικό τραυματισμό.
17. **Εκτός αν το εργαλείο υποστηρίζει τη χρήση κοντά σε ηλεκτρικές γραμμές υψηλής τάσης, μην χρησιμοποιείτε την κασέτα μπαταριών κοντά σε ηλεκτρικές γραμμές υψηλής τάσης.** Μπορεί να έχει ως αποτέλεσμα δυσλειτουργία ή στάσιμο του εργαλείου ή της κασέτας μπαταριών.
18. **ΚρΦυλάξτε την μπαταρία μακριά από παιδιά.**

## ΦΥΛΑΞΤΕ ΤΙΣ ΟΔΗΓΙΕΣ ΑΥΤΕΣ.

**▲ΠΡΟΣΟΧΗ:** Να χρησιμοποιείτε μόνο γνήσιες μπαταρίες της Makita. Η χρήση μη γνήσιων μπαταριών Makita, ή μπαταριών που έχουν τροποποιηθεί, μπορεί να έχει ως αποτέλεσμα τη ρήξη της μπαταρίας, προκαλώντας πυρκαγιά, προσωπικό τραυματισμό και βλάβη. Επίσης, θα ακυρωθεί η εγγύηση της Makita για το εργαλείο και φορτιστή Makita.

## Συμβουλές για τη διατήρηση της μέγιστης ζωής μπαταρίας

1. **Φορτίζετε την κασέτα μπαταριών πριν από την πλήρη αποφόρτισή της. Πάντοτε να σταματάτε τη λειτουργία του εργαλείου και να φορτίζετε την κασέτα μπαταριών όταν παρατηρείτε μειωμένη ισχύ εργαλείου.**
2. **Ποτέ μην επαναφορτίζετε μια πλήρως φορτισμένη κασέτα μπαταριών. Η υπερφόρτιση μειώνει την ωφέλιμη ζωή της μπαταρίας.**
3. **Να φορτίζετε την κασέτα μπαταριών σε θερμοκρασία δωματίου, δηλαδή στους 10 °C έως 40 °C. Αφήστε μια θερμή κασέτα μπαταριών να κρυώσει πριν την φορτίσετε.**
4. **Όταν δεν χρησιμοποιείτε την κασέτα μπαταριών, αφαιρέστε την από το εργαλείο ή τον φορτιστή.**
5. **Να φορτίζετε την κασέτα μπαταριών εάν δεν τη χρησιμοποιείτε για μεγάλη χρονική περίοδο (περισσότερο από έξι μήνες).**

## ΠΕΡΙΓΡΑΦΗ ΛΕΙΤΟΥΡΓΙΑΣ

**▲ ΠΡΟΣΟΧΗ:** Να φροντίζετε πάντα για την απενεργοποίηση του εργαλείου και την αφαίρεση της κασέτας μπαταρίας, πριν από οποιαδήποτε ρύθμιση ή έλεγχο της λειτουργίας του.

### Τοποθέτηση ή αφαίρεση της κασέτας μπαταριών

**▲ ΠΡΟΣΟΧΗ:** Να σβήνετε πάντα το εργαλείο πριν τοποθετήσετε ή αφαιρέσετε την κασέτα μπαταριών.

**▲ ΠΡΟΣΟΧΗ:** Κρατήστε το εργαλείο και την κασέτα μπαταριών σταθερά κατά την τοποθέτηση ή αφαίρεση της κασέτας μπαταριών. Εάν δεν κρατάτε το εργαλείο και την κασέτα μπαταριών σταθερά μπορεί να γλιστρήσουν από τα χέρια σας και να προκληθεί βλάβη στο εργαλείο και την κασέτα μπαταριών και προσωπικός τραυματισμός.

► **Εικ.1:** 1. Κόκκινος δείκτης 2. Κουμπτί 3. Κασέτα μπαταριών

Για να αφαιρέσετε την κασέτα μπαταριών, ολισθήστε την από το εργαλείο ενώ σύρετε το κουμπτί στο μπροστινό μέρος της κασέτας.

Για να τοποθετήσετε την κασέτα μπαταριών, ευθυγραμμίστε τη γλώσσα στην κασέτα μπαταριών με την εγκοπή στο περίβλημα και ολισθήστε τη στη θέση της. Τοποθετήστε την μέχρι τέρμα μέχρι να ασφαλίσει στη θέση της, γεγονός που υποδεικνύεται με ένα χαρακτηριστικό ήχο. Αν μπορείτε να δείτε τον κόκκινο δείκτη όπως απεικονίζεται στην εικόνα, δεν έχει κλειδώσει τελείως.

**▲ ΠΡΟΣΟΧΗ:** Να τοποθετείτε πάντα την κασέτα μπαταριών πλήρως μέχρι να μη βλέπετε τον κόκκινο δείκτη. Εάν δεν ασφαλιστεί, μπορεί να πέσει από το εργαλείο τυχαία, προκαλώντας σωματική βλάβη σε εσάς ή κάποιον άλλο γύρω σας.

**▲ ΠΡΟΣΟΧΗ:** Μην τοποθετείτε την κασέτα μπαταριών με βία. Εάν η κασέτα δεν ολισθαίνει με ευκολία, τότε δεν έχει τοποθετηθεί κατάλληλα.

### Εμφάνιση υπολειπόμενης χωρητικότητας μπαταρίας

**Μόνο για κασέτες μπαταρίας με την ενδεικτική λυχνία**

Πιέστε το κουμπτί ελέγχου στην κασέτα μπαταριών για να υποδείξετε την υπολειπόμενη χωρητικότητα μπαταρίας. Οι ενδεικτικές λυχνίες ανάβουν για λίγα δευτερόλεπτα.

► **Εικ.2:** 1. Ενδεικτικές λυχνίες 2. Κουμπτί ελέγχου

Ενδεικτικές λυχνίες			Υπολειπόμενη χωρητικότητα
Αναμμένες	Σβηστές	Αναβοσβήνουν	
■ ■ ■ ■			75% έως 100%
■ ■ ■ □			50% έως 75%
■ ■ □ □			25% έως 50%
■ □ □ □			0% έως 25%
▲ □ □ □			Φορτίστε την μπαταρία.
■ ■ □ □		↑ ↓	Μπορεί να προέκυψε δυσλειτουργία στην μπαταρία.

**ΠΑΡΑΤΗΡΗΣΗ:** Ανάλογα με τις συνθήκες χρήσης και τη θερμοκρασία περιβάλλοντος, η ένδειξη μπορεί να διαφέρει λίγο από την πραγματική χωρητικότητα.

**ΠΑΡΑΤΗΡΗΣΗ:** Η πρώτη (τέρμα αριστερά) ενδεικτική λυχνία θα αναβοσβήνει όταν λειτουργεί το σύστημα προστασίας μπαταρίας.

### Σύστημα προστασίας εργαλείου/ μπαταρίας

**ΕΙΔΟΠΟΙΗΣΗ:** Ανάλογα με τις συνθήκες χρήσης, το εργαλείο σταματάει αυτόματα χωρίς καμία ένδειξη αν μπλεχτούν κλαδιά ή σκουπίδια στο εργαλείο. Σε αυτή την περίπτωση, απενεργοποιήστε το εργαλείο και αφαιρέστε την κασέτα μπαταριών, μετά αφαιρέστε τα μπλεγμένα κλαδιά ή σκουπίδια χρησιμοποιώντας εργαλεία όπως μια πένσα. Αφού αφαιρέσετε τα κλαδιά ή σκουπίδια, τοποθετήστε την κασέτα μπαταριών και ενεργοποιήστε ξανά το εργαλείο.

Το εργαλείο είναι εξοπλισμένο με σύστημα προστασίας εργαλείου/μπαταρίας. Αυτό το σύστημα αποκόπτει αυτόματα την ισχύ προς το μοτέρ για να παραταθεί η διάρκεια λειτουργίας του εργαλείου και της μπαταρίας. Το εργαλείο σταματάει αυτόματα κατά τη διάρκεια της λειτουργίας εάν το εργαλείο ή η μπαταρία βρεθούν κάτω από τις παρακάτω συνθήκες:

### Προστασία υπερφόρτωσης

Όταν το εργαλείο ή η μπαταρία λειτουργεί με τρόπο που προκαλεί την κανάλωση ενός ασυνήθιστα υψηλού ηλεκτρικού ρεύματος, το εργαλείο σταματάει αυτόματα. Σε αυτή την κατάσταση, απενεργοποιήστε το εργαλείο και διακόψτε την εφαρμογή που προκαλεί την υπερφόρτωση του εργαλείου. Μετά, ενεργοποιήστε το εργαλείο για επανεκκίνηση.

### Προστασία υπερθέρμανσης

Όταν το εργαλείο ή η μπαταρία υπερθερμαίνεται, το εργαλείο σταματάει αυτόματα. Σε αυτή την περίπτωση, αφήστε το εργαλείο και την μπαταρία να κρυώσουν πριν ενεργοποιήσετε ξανά το εργαλείο.



## Προστασία υπερβολικής αποφόρτισης

Όταν η φόρτιση μπαταρίας δεν είναι αρκετή, το εργαλείο σταματάει αυτόματα. Σε αυτή την περίπτωση, βγάλτε την μπαταρία από το εργαλείο και φορτίστε την μπαταρία.

## Προστασία και από άλλες αιτίες

Το σύστημα προστασίας έχει επίσης σχεδιαστεί για άλλες αιτίες που μπορούν να προκαλέσουν ζημιά στο εργαλείο και επιτρέπει την αυτόματη διακοπή του εργαλείου. Λάβετε όλα τα ακόλουθα βήματα για να διορθώσετε τις αιτίες, όταν το εργαλείο τεθεί σε προσωρινή διακοπή ή διακοπή κατά τη διάρκεια της λειτουργίας.

1. Απενεργοποιήστε το εργαλείο και, στη συνέχεια, ενεργοποιήστε το ξανά για να επανεκκινήσει.
2. Φορτίστε την μπαταρία ή τις μπαταρίες ή αντικαταστήστε τις με επαναφορτιζόμενες μπαταρίες.
3. Αφήστε το μηχάνημα και τις μπαταρίες να ψυχθούν.

Εάν δεν υπάρχει βελτίωση με την επαναφορά του συστήματος προστασίας, επικοινωνήστε με το τοπικό σας κέντρο εξυπηρέτησης της Makita.

**ΕΙΔΟΠΟΙΗΣΗ:** Αν το εργαλείο σταματήσει λόγω μιας αιτίας που δεν περιγράφεται ανωτέρω, ανατρέξτε στην ενότητα για την επίλυση προβλημάτων.

## Δράση διακόπτη

**⚠️ ΠΡΟΕΙΔΟΠΟΙΗΣΗ:** Για την ασφάλειά σας, το εργαλείο αυτό παρέχεται με μοχλό διακόπτη που αποτρέπει την εκκίνηση του εργαλείου κατά λάθος. Μην χρησιμοποιείτε ΠΟΤΕ το εργαλείο αν μπορείτε να το θέσετε σε λειτουργία πιέζοντας απλά τη σκανδάλη διακόπτη, χωρίς να τραβάτε και τον μοχλό διακόπτη. Στείλτε το εργαλείο σε εξουσιοδοτημένο κέντρο σέρβις για να το επισκευάσουν σωστά ΠΡΙΝ το χρησιμοποιήσετε ξανά.

**⚠️ ΠΡΟΕΙΔΟΠΟΙΗΣΗ:** Μην κολλάτε ΠΟΤΕ τον μοχλό διακόπτη στην πατημένη θέση του και μην παρακάμπτετε ΠΟΤΕ τον σκοπό και τη λειτουργία του μοχλού διακόπτη.

**⚠️ ΠΡΟΕΙΔΟΠΟΙΗΣΗ:** Πριν τοποθετήσετε την κασέτα μπαταριών στο εργαλείο, να ελέγχετε πάντα ότι η σκανδάλη διακόπτη και ο μοχλός διακόπτη ενεργοποιούνται κανονικά και επιστρέφουν στην ανενεργή θέση όταν ελευθερώνονται. Η λειτουργία ενός εργαλείου με διακόπτη ο οποίος δεν ενεργοποιείται σωστά μπορεί να οδηγήσει σε απώλεια ελέγχου και σοβαρό προσωπικό τραυματισμό.

**⚠️ ΠΡΟΣΟΧΗ:** Μη βάζετε ποτέ το δάχτυλό σας πάνω στο διακόπτη καθώς το μεταφέρετε. Μπορεί να ξεκινήσει να λειτουργεί κατά λάθος το εργαλείο και να προκληθεί τραυματισμός.

Για να εκκινήσετε το εργαλείο, κρατήστε την μπροστινή λαβή ενώ πατάτε τον μοχλό διακόπτη και τραβήξτε τη σκανδάλη διακόπτη. Για να σταματήσετε το εργαλείο, αφήστε είτε τη σκανδάλη διακόπτη είτε τον μοχλό διακόπτη.

- **Εικ.3:** 1. Μπροστινή λαβή 2. Μοχλός διακόπτη 3. Σκανδάλη διακόπτη

## Ενδεικτική λυχνία

### ► Εικ.4: 1. Ενδεικτική λυχνία

Η ενδεικτική λυχνία αναβοσβήνει ή ανάβει όταν το επίπεδο μπαταρίας είναι χαμηλό ή το εργαλείο έχει υπερφορτωθεί. Ανατρέξτε στον ακόλουθο πίνακα για την κατάσταση και την απαιτούμενη ενέργεια.

Ενδεικτική λυχνία	Κατάσταση	Απαιτούμενη ενέργεια
Η λυχνία αναβοσβήνει με κόκκινο χρώμα.	Το υπόλοιπο επίπεδο της μπαταρίας είναι χαμηλό.	Επαναφορτίστε την μπαταρία ή αντικαταστήστε την μπαταρία με μια φορτισμένη.
Η λυχνία ανάβει με κόκκινο χρώμα.	Το υπόλοιπο επίπεδο της μπαταρίας είναι άδαιο.	Επαναφορτίστε την μπαταρία ή αντικαταστήστε την μπαταρία με μια φορτισμένη.
	Το εργαλείο έχει σταματήσει λόγω υπερφόρτωσης.	Απενεργοποιήστε το εργαλείο και επιδιορθώστε την αιτία της υπερφόρτωσης.
	Το εργαλείο έχει σταματήσει λόγω υπερθέρμανσης.	Απενεργοποιήστε το εργαλείο και αφήστε το εργαλείο να κρυώσει.

**ΠΑΡΑΤΗΡΗΣΗ:** Ο χρόνος στον οποίο η ενδεικτική λυχνία αναβοσβήνει ή ανάβει διαφέρει ανάλογα με τη θερμοκρασία στον χώρο εργασίας και τις συνθήκες της κασέτας μπαταριών.

## Ηλεκτρονική λειτουργία

Το εργαλείο είναι εξοπλισμένο με ηλεκτρονικές λειτουργίες για εύκολη λειτουργία.

- Έλεγχος σταθερής ταχύτητας  
Η λειτουργία ελέγχου ταχύτητας παρέχει σταθερή ταχύτητα περιστροφής, ανεξάρτητα από τις συνθήκες φόρτου.
- Ηλεκτρικό φρένο  
Το εργαλείο αυτό είναι εξοπλισμένο με ηλεκτρικό φρένο. Αν το εργαλείο αποτυγχάνει συνεχώς να σταματάει γρήγορα τις λάμες κουρευτικού όταν αφήνετε τη σκανδάλη διακόπτη, αναθέστε την επισκευή του εργαλείου σε εξουσιοδοτημένο κέντρο εξυπηρέτησης της Makita.
- Λειτουργία αποφυγής τυχαίας επανεκκίνησης  
Ακόμα κι αν τοποθετήσετε την κασέτα μπαταριών ενώ τραβάτε τη σκανδάλη διακόπτη, το εργαλείο δεν ξεκινά. Για να ξεκινήσετε τη λειτουργία του εργαλείου, πρώτα αφήστε τη σκανδάλη διακόπτη και μετά τραβήξτε τη σκανδάλη διακόπτη.

# ΣΥΝΑΡΜΟΛΟΓΗΣΗ

**▲ΠΡΟΣΟΧΗ:** Να βεβαιώνεστε πάντα ότι το εργαλείο είναι ορθό και η κασέτα μπαταρίας έχει αφαιρεθεί πριν εκτελέσετε κάποια εργασία στο εργαλείο.

**▲ΠΡΟΣΟΧΗ:** Όταν αντικαθιστάτε τις λάμες κουρευτικού, να φοράτε πάντα γάντια για να μην έρχονται τα χέρια σας σε απευθείας επαφή με τις λάμες.

**ΕΙΔΟΠΟΙΗΣΗ:** Όταν αντικαθιστάτε τις λάμες κουρευτικού, μη σκουπίζετε το γράσο από το γρανάζι και στρόφαλο.

## Τοποθέτηση ή αφαίρεση των λαμών κουρευτικού

**▲ΠΡΟΣΟΧΗ:** Προσαρτήστε το κάλυμμα λαμών πριν αφαιρέσετε ή τοποθετήσετε τις λάμες κουρευτικού.

Στο εργαλείο σας μπορείτε να εγκαταστήσετε λάμες κουρευτικού 500 mm ή 600 mm.

1. Προσαρτήστε το κάλυμμα λαμών στις λάμες κουρευτικού.  
▶ **Εικ.5:** 1. Κάλυμμα λαμών

2. Τοποθετήστε το εργαλείο ανάποδα, μετά αφαιρέστε τα 6 μπουλόνια και μετά αφαιρέστε το κάλυμμα και την πλάκα.  
▶ **Εικ.6:** 1. Μπουλόνι 2. Κάλυμμα 3. Πλάκα

**ΠΑΡΑΤΗΡΗΣΗ:** Η πλάκα μπορεί να παραμείνει στο κάλυμμα.

3. Γυρίστε τον στρόφαλο με το κατσαβίδι με επίπεδη μύτη, ώστε οι 2 οπές να είναι κάθετες στις λάμες κουρευτικού.  
▶ **Εικ.7:** 1. Στρόφαλος 2. Οπή

4. Αφαιρέστε τα 2 μπουλόνια, το πήλημα και τα χιτώνια και μετά αφαιρέστε τις λάμες κουρευτικού.  
▶ **Εικ.8:** 1. Πήλημα 2. Μπουλόνι 3. Χιτώνιο 4. Λάμες κουρευτικού

5. Αφαιρέστε το κάλυμμα λαμών και μετά προσαρτήστε το στις καινούριες λάμες κουρευτικού.  
▶ **Εικ.9:** 1. Κάλυμμα λαμών

6. Ευθυγραμμίστε τα πίσω άκρα των λαμών κουρευτικού όπως απεικονίζεται στην εικόνα.  
▶ **Εικ.10:** 1. Πίσω άκρο

7. Σύρετε τις λάμες κουρευτικού λίγο όπως απεικονίζεται στην εικόνα και μετά προσαρτήστε τα χιτώνια στις λάμες κουρευτικού.  
▶ **Εικ.11:** 1. Χιτώνιο

8. Σύρετε το κάλυμμα λαμών λίγο προς τη μύτη των λαμών κουρευτικού και μετά προσαρτήστε τις λάμες κουρευτικού στο εργαλείο.  
▶ **Εικ.12:** 1. Λάμες κουρευτικού

**ΕΙΔΟΠΟΙΗΣΗ:** Εφαρμόστε μια μικρή ποσότητα γράσου στην εσωτερική περιφέρεια της οπής των λαμών κουρευτικού.

**ΕΙΔΟΠΟΙΗΣΗ:** Προσέχετε να μην χάσετε τα χιτώνια.

9. Σύρετε τις λάμες κουρευτικού και τα χιτώνια ώστε οι οπές στα χιτώνια να είναι ευθυγραμμισμένες με τις οπές στο εργαλείο.  
▶ **Εικ.13:** 1. Οπή στο εργαλείο 2. Οπή στο χιτώνιο

10. Σφίξτε τα μπουλόνια για να στερεώσετε τις λάμες κουρευτικού.

▶ **Εικ.14:** 1. Μπουλόνι

11. Προσαρτήστε το πήλημα στις λάμες κουρευτικού.

▶ **Εικ.15:** 1. Πήλημα

12. Προσαρτήστε την πλάκα.

▶ **Εικ.16:** 1. Πλάκα

13. Προσαρτήστε το κάλυμμα και μετά σφίξτε τα 6 μπουλόνια.

▶ **Εικ.17:** 1. Μπουλόνι 2. Κάλυμμα

**ΕΙΔΟΠΟΙΗΣΗ:** Αν οι λάμες κουρευτικού δεν κινούνται ομαλά, οι λάμες κουρευτικού δεν έχουν δεσμευτεί σωστά στον στρόφαλο. Τοποθετήστε ξανά τις λάμες κουρευτικού.

**ΕΙΔΟΠΟΙΗΣΗ:** Αν εξαρτήματα εκτός των λαμών κουρευτικού, όπως ο στρόφαλος, είναι φθαρμένα, ζητήστε από ένα εξουσιοδοτημένο κέντρο εξυπηρέτησης της Makita για αντικατάσταση ή επισκευή των εξαρτημάτων.

## Τοποθέτηση ή αφαίρεση του συλλογέα θραυσμάτων

### Προαιρετικό εξάρτημα

**▲ΠΡΟΣΟΧΗ:** Όταν τοποθετείτε ή αφαιρείτε τον συλλογέα θραυσμάτων, να φοράτε πάντα γάντια για να μην έρχονται τα χέρια σας σε απευθείας επαφή με τις λάμες κουρευτικού.

**ΕΙΔΟΠΟΙΗΣΗ:** Το κάλυμμα λαμών δεν μπορεί να τοποθετηθεί αν ο συλλογέας θραυσμάτων είναι τοποθετημένος στο εργαλείο. Πριν μεταφέρετε ή αποθηκεύσετε το εργαλείο, αφαιρέστε τον συλλογέα θραυσμάτων, και μετά τοποθετήστε το κάλυμμα λαμών για να αποφύγετε την έκθεση της λάμας.

**ΕΙΔΟΠΟΙΗΣΗ:** Βεβαιωθείτε να αφαιρέσετε το κάλυμμα λαμών πριν τοποθετήσετε τον συλλογέα θραυσμάτων.

Ο συλλογέας θραυσμάτων μαζεύει τα παραπεταμένα φύλλα και καθιστά τον μετέπειτα καθαρισμό πολύ πιο εύκολο. Μπορείτε να τον τοποθετήσετε σε οποιαδήποτε πλευρά του εργαλείου.

1. Ευθυγραμμίστε τις οπές στον συλλογέα θραυσμάτων με τις βίδες στις λάμες κουρευτικού.

▶ **Εικ.18:** 1. Βίδα

2. Αγκιστρώστε τα κλιπ του συλλογέα θραυσμάτων στην εγκοπή των λαμών κουρευτικού.

▶ **Εικ.19:** 1. Κλιπ 2. Εγκοπή

3. Πατήστε τους μοχλούς στον συλλογέα θραυσμάτων και, στη συνέχεια, αγκιστρώστε τα κλιπ στην άλλη πλευρά της εγκοπής στις λάμες κουρευτικού.

▶ **Εικ.20:** 1. Μοχλός

Για να αφαιρέσετε τον συλλογέα θραυσμάτων, πατήστε τους μοχλούς για να απασφαλίσετε τα κλιπ.

▶ **Εικ.21:** 1. Μοχλός

**ΕΙΔΟΠΟΙΗΣΗ:** Μην δοκιμάζετε ποτέ να αφαιρέσετε τον συλλογέα θραυσμάτων με υπερβολική δύναμη, με τους γάντζους ασφαλισμένους στις λάμες κουρευτικού.

## ΛΕΙΤΟΥΡΓΙΑ

**▲ ΠΡΟΕΙΔΟΠΟΙΗΣΗ:** Να κρατάτε τα χέρια σας μακριά από τις λάμες κουρευτικού.

**▲ ΠΡΟΣΟΧΗ:** Αποφύγετε τη λειτουργία του εργαλείου σε πολύ ζεστό καιρό, όσο αυτό είναι εφικτό. Όταν χρησιμοποιείτε το εργαλείο, να προσέχετε τη σωματική σας κατάσταση.

**▲ ΠΡΟΣΟΧΗ:** Κατά το ψαλίδισμα, προσέχετε να μην έρθει το εργαλείο σε επαφή με μεταλλικό φράχτη ή άλλα σκληρά αντικείμενα. Οι λάμες κουρευτικού μπορεί να σπάσουν και να προκαλέσουν τραυματισμό.

**▲ ΠΡΟΣΟΧΗ:** Προσέξτε να μην αφήσετε τις λάμες κουρευτικού να έρθουν σε επαφή με το έδαφος. Διαφορετικά το εργαλείο μπορεί να ανατλιχτεί και να προκαλέσει τραυματισμό.

**▲ ΠΡΟΣΟΧΗ:** Είναι εξαιρετικά επικίνδυνο να τεντώνετε με το ψαλίδι μπορντούρας, ειδικά όταν βρίσκεστε επάνω σε σκάλα. Μην εργάζεστε ενώ στέκεστε επάνω σε ο,τιδήποτε ασταθές ή αδύναμο.

**ΕΙΔΟΠΟΙΗΣΗ:** Μην επιχειρήσετε να κόβετε κλαδιά με διάμετρο μεγαλύτερη από 10 mm με το εργαλείο. Κόψτε τα κλαδιά στα 10 cm κάτω από το ύψος κοπής χρησιμοποιώντας κλαδευτήρες πριν χρησιμοποιήσετε το εργαλείο.

► **Εικ.22:** (1) Ύψος κοπής (2) 10 cm

**ΕΙΔΟΠΟΙΗΣΗ:** Μην κόβετε νεκρά δέντρα ή παρόμοια σκληρά αντικείμενα. Μπορεί να προκληθεί ζημιά στο εργαλείο.

**ΕΙΔΟΠΟΙΗΣΗ:** Μην ψαλιδίζετε το γκαζόν ή τα αγριόχορτα ενώ χρησιμοποιείτε τις λάμες κουρευτικού. Οι λάμες κουρευτικού μπορεί να μπερδευτούν στο γκαζόν ή στα αγριόχορτα.

Κρατήστε το εργαλείο με τα δύο χέρια, κρατήστε την μπροστινή λαβή ενώ πατάτε τον μοχλό διακόπτη και τραβήξτε τη σκανδάλη διακόπτη, και μετά μετακινήστε το εργαλείο προς τα μπροστά.

► **Εικ.23**

Για βασική λειτουργία, γείρετε τις λάμες κουρευτικού προς την κατεύθυνση ψαλιδίσματος και μετακινήστε τις ήρεμα και αργά με ταχύτητα 3 έως 4 δευτερόλεπτα το μέτρο.

► **Εικ.24**

Για να κόψετε ομοιόμορφα το άνω τμήμα της μπορντούρας, δέστε ένα σκοινί στο επιθυμητό ύψος και κουρέψτε κατά μήκος αυτού.

► **Εικ.25**

Αν ο συλλογέας θραυσμάτων είναι προσαρτημένος στις λάμες κουρευτικού, μαζεύει τα παραπεταιμένα φύλλα και καθιστά τον μετέπειτα καθαρισμό πολύ πιο εύκολο.

► **Εικ.26**

Για να κόψετε ομοιόμορφα την πλευρά μπορντούρας, να κουρέψετε από το κάτω μέρος προς τα πάνω.

► **Εικ.27**

Όταν ψαλιδίζετε για να δώσετε ένα στρογγυλό σχήμα (ψαλίδισμα πυξαρίου ή ροδόδεντρου, κτλ.), να ψαλιδίζετε από τη ρίζα προς τα πάνω, για ένα όμορφο τελείωμα.

► **Εικ.28**

## ΣΥΝΤΗΡΗΣΗ

**▲ ΠΡΟΣΟΧΗ:** Πριν την εκτέλεση εργασιών επιθεώρησης ή συντήρησης, πάντοτε να βεβαιώνετε ότι η συσκευή απενεργοποιήθηκε και η κασέτα μπαταριών έχει αφαιρεθεί.

Για τη διατήρηση της ΑΣΦΑΛΕΙΑΣ και ΑΞΙΟΠΙΣΤΙΑΣ του προϊόντος, οι επισκευές και οποιαδήποτε άλλη εργασία συντήρησης ή ρύθμισης πρέπει να εκτελούνται από εξουσιοδοτημένα ή εργοστασιακά κέντρα εξυπηρέτησης της Makita, χρησιμοποιώντας πάντοτε ανταλλακτικά της Makita.

## Καθαρισμός του εργαλείου

Καθαρίστε το εργαλείο σκουπίζοντας τη σκόνη με ένα στεγνό πανί ή ένα πανί διαποτισμένο με σαπουνόνερο αφού πρώτα το έχετε στύψει.

**ΕΙΔΟΠΟΙΗΣΗ:** Μην χρησιμοποιείτε ποτέ βενζίνη, πετρελαϊκό αιθέρα, διαλυτικό, αλκοόλη ή παρόμοιες ουσίες. Μπορεί να προκληθεί αποχρωματισμός, παραμόρφωση ή ρωγμές.

## Συντήρηση λαμών κουρευτικού

Πριν τη λειτουργία ή μία φορά κάθε ώρα κατά τη διάρκεια της λειτουργίας, εφαρμόστε λάδι χαμηλού ιξώδους (μηχανέλαιο ή λιπαντικό λάδι σε μορφή σπρέι) στις λάμες κουρευτικού.

► **Εικ.29**

Μετά τη λειτουργία, αφαιρέστε τη σκόνη και από τις δύο πλευρές των λαμών κουρευτικού με μια συρμάτινη βούρτσα, σκουπίστε τις με ένα πανί και μετά εφαρμόστε λάδι χαμηλού ιξώδους (μηχανέλαιο ή λιπαντικό λάδι σε μορφή σπρέι) στις λάμες κουρευτικού.

► **Εικ.30**

**ΕΙΔΟΠΟΙΗΣΗ:** Μην πλένετε τις λάμες κουρευτικού σε νερό. Αν το κάνετε αυτό, μπορεί να προκληθεί σκουριά ή ζημιά στο εργαλείο.

**ΕΙΔΟΠΟΙΗΣΗ:** Το χρώμα και η διάβρωση μπορούν να προκαλέσουν υπερβολική τριβή στις λάμες και μείωση του χρόνου λειτουργίας ανά φόρτιση της μπαταρίας.

## Αποθήκευση

Η οπή γάντζου στο κάτω μέρος του εργαλείου χρησιμεύει για το κρέμασμα του εργαλείου σε καρφή ή βίδα στον τοίχο.

Προσαρτήστε το κάλυμμα λαμών στις λάμες κουρευτικού με τρόπο ώστε οι λάμες να μην εκτεθούν. Αποθηκεύστε το εργαλείο μακριά από παιδιά. Φυλάξτε το εργαλείο σε ένα μέρος που δεν εκτίθεται στην υγρασία και τη βροχή.

► **Εικ.31:** 1. Οπή

## Ακόνισμα των λαμών κουρευτικού

**ΕΙΔΟΠΟΙΗΣΗ:** Αν οι λάμες κουρευτικού έχουν παραμορφωθεί σημαντικά από το ακόνισμα, αντικαταστήστε τις λάμες κουρευτικού με καινούριες.

1. Τοποθετήστε τις κασέτες μπαταριών στο εργαλείο.
2. Ενεργοποιήστε και εκκινήστε το εργαλείο ώστε η άνω λάμα και η κάτω λάμα να είναι τοποθετημένες εναλλάξ.  
► **Εικ.32**
3. Απενεργοποιήστε το εργαλείο και αφαιρέστε την κασέτα μπαταριών από το εργαλείο.
4. Θέστε την κλίση μιας λίμας στις 35°, και ακονίστε την άνω λάμα από 2 κατευθύνσεις με τη λίμα.  
► **Εικ.33:** (1) Λίμα (2) 35°

**▲ ΠΡΟΣΟΧΗ:** Πριν ακονίσετε τις λάμες κουρευτικού, βεβαιωθείτε ότι το εργαλείο είναι απενεργοποιημένο και η κασέτα μπαταριών έχει αφαιρεθεί από το εργαλείο.

5. Τοποθετήστε το εργαλείο ανάποδα και μετά αφαιρέστε τα γρέζια από τις λάμες κουρευτικού με την πέτρα λείανσης.  
► **Εικ.34:** 1. Πέτρα λείανσης

6. Θέστε την κλίση μιας λίμας στις 35° και ακονίστε την κάτω λάμα από 2 κατευθύνσεις με τη λίμα.

7. Επιστρέψτε το εργαλείο στην κανονική θέση και μετά αφαιρέστε τα γρέζια από τις λάμες κουρευτικού με την πέτρα λείανσης.

## Λίπανση με γράσο

**Μεσοδιάστημα λίπανσης:** Κάθε 50 ώρες λειτουργίας

1. Αφαιρέστε το μπουλόνι από την οπή για λίπανση.  
► **Εικ.35:** 1. Μπουλόνι
2. Αφαιρέστε το καπάκι από τον περιέκτη γράσου. Ευθυγραμμίστε την έξοδο του περιέκτη γράσου με την οπή στο κάλυμμα και μετά γυρίστε τον περιέκτη γράσου για να προσαρτήσετε την έξοδο του περιέκτη γράσου στην οπή.  
► **Εικ.36:** 1. Περιέκτης γράσου 2. Οπή
3. Εφαρμόστε το γράσο στο εργαλείο (περίπου 3 g ως οδηγό).
4. Αφαιρέστε τον περιέκτη γράσου.
5. Σφίξτε το μπουλόνι.

## ΑΝΤΙΜΕΤΩΠΙΣΗ ΠΡΟΒΛΗΜΑΤΩΝ

Πριν ζητήσετε επισκευές, εκτελέστε αρχικά τη δική σας επιθεώρηση. Αν εντοπίσετε πρόβλημα που δεν επεξηγείται στο εγχειρίδιο, μην επιχειρήσετε να αποσυναρμολογήσετε το εργαλείο. Αντ' αυτού, ζητήστε βοήθεια από εξουσιοδοτημένα κέντρα εξυπηρέτησης της Makita και πάντοτε να χρησιμοποιείτε γνήσια ανταλλακτικά της Makita.

Κατάσταση προβλήματος	Πιθανή αιτία (δυσλειτουργία)	Αποκατάσταση
Το μοτέρ δεν λειτουργεί.	Δεν είναι τοποθετημένη η κασέτα μπαταριών.	Τοποθετήστε την κασέτα μπαταριών.
	Πρόβλημα μπαταριών (μικρή τάση)	Επαναφορτίστε την μπαταρία. Αν η επαναφόρτιση δεν είναι αποτελεσματική, αντικαταστήστε την μπαταρία.
	Το σύστημα μετάδοσης κίνησης δεν λειτουργεί σωστά.	Απευθυνθείτε στο τοπικό εξουσιοδοτημένο κέντρο σέρβις για επισκευή.
Το μοτέρ σταματά να λειτουργεί μετά από μικρή χρήση.	Το επίπεδο φόρτισης μπαταρίας είναι χαμηλό.	Επαναφορτίστε την μπαταρία. Αν η επαναφόρτιση δεν είναι αποτελεσματική, αντικαταστήστε την μπαταρία.
	Υπερθέρμανση.	Σταματήστε να χρησιμοποιείτε το εργαλείο για να το αφήσετε να κρυώσει.
Το εργαλείο δεν φτάνει τις μέγιστες ΣΑΛ.	Η μπαταρία δεν είναι σωστά τοποθετημένη.	Τοποθετήστε την κασέτα μπαταριών όπως περιγράφεται σε αυτό το εγχειρίδιο.
	Η ισχύς της μπαταρίας πέφτει.	Επαναφορτίστε την μπαταρία. Αν η επαναφόρτιση δεν είναι αποτελεσματική, αντικαταστήστε την μπαταρία.
	Το σύστημα μετάδοσης κίνησης δεν λειτουργεί σωστά.	Απευθυνθείτε στο τοπικό εξουσιοδοτημένο κέντρο σέρβις για επισκευή.
Οι λάμες κουρευτικού δεν κινούνται: ⇒ Σταματήστε αμέσως το μηχάνημα!	Ξένα αντικείμενα έχουν πιαστεί μεταξύ των λαμών κουρευτικού.	Απενεργοποιήστε το εργαλείο και αφαιρέστε την κασέτα μπαταριών, μετά αφαιρέστε τα ξένα αντικείμενα χρησιμοποιώντας εργαλεία όπως μια πένσα.
	Το σύστημα μετάδοσης κίνησης δεν λειτουργεί σωστά.	Απευθυνθείτε στο τοπικό εξουσιοδοτημένο κέντρο σέρβις για επισκευή.
Ασυνήθιστοι κραδασμοί: ⇒ Σταματήστε αμέσως το μηχάνημα!	Οι λάμες κουρευτικού είναι σπασμένες, λυγισμένες ή φθαρμένες.	Αντικαταστήστε τις λάμες κουρευτικού.
	Το σύστημα μετάδοσης κίνησης δεν λειτουργεί σωστά.	Απευθυνθείτε στο τοπικό εξουσιοδοτημένο κέντρο σέρβις για επισκευή.
Οι λάμες κουρευτικού και το μοτέρ δεν σταματούν: ⇒ Βγάλτε αμέσως την μπαταρία!	Ηλεκτρική δυσλειτουργία.	Βγάλτε την μπαταρία και απευθυνθείτε στο τοπικό εξουσιοδοτημένο κέντρο σέρβις για επισκευή.

# ΠΡΟΑΙΡΕΤΙΚΑ ΕΞΑΡΤΗΜΑΤΑ

**⚠ ΠΡΟΣΟΧΗ:** Αυτά τα εξαρτήματα ή προσαρτήματα συνιστώνται για χρήση με το εργαλείο Makita που περιγράφηκε στις οδηγίες αυτές. Η χρήση οποιωνδήποτε άλλων εξαρτημάτων ή προσαρτημάτων μπορεί να προκαλέσει κίνδυνο τραυματισμού σε άτομα. Να χρησιμοποιείτε τα εξαρτήματα ή προσαρτήματα μόνο για την χρήση που προορίζονται.

Εάν χρειάζεστε οποιαδήποτε βοήθεια για περισσότερες πληροφορίες σε σχέση με αυτά τα εξαρτήματα, απευθυνθείτε στο τοπικό σας κέντρο εξυπηρέτησης Makita.

- Διάταξη λαμών κουρευτικού
- Κάλυμμα λαμών κουρευτικού
- Συλλογέας θραυσμάτων
- Περιέκτης γράσου
- Γνήσια μπαταρία και φορτιστής της Makita

**ΠΑΡΑΤΗΡΗΣΗ:** Μερικά στοιχεία στη λίστα μπορεί να συμπεριλαμβάνονται στη συσκευασία εργαλείου ως στάνταρ εξαρτήματα. Μπορεί να διαφέρουν ανάλογα με τη χώρα.

## TEKNİK ÖZELLİKLER

Model:	DUH506	DUH606	
Bıçak uzunluğu	500 mm	600 mm	
Dakikadaki hareket sayısı	4.000 min <sup>-1</sup>		
Tam uzunluk (Bataryasız)	846 mm	965 mm	
Nominal voltaj	D.C. 18 V		
Net ağırlık	*1	2,2 kg	2,3 kg
	*2	2,5 - 2,9 kg	2,7 - 3,0 kg

- Sürekli yapılan araştırma ve geliştirmelerden dolayı, burada belirtilen özellikler önceden bildirilmeksizin değiştirilebilir.
- Özellikler ülkeden ülkeye değişebilir.
- \*1: Aksesuarlar veya batarya kartuşları olmaksızın ağırlık
- \*2: Ağırlık, batarya kartuşu dahil ekli parçaya/parçalara bağlı olarak farklılık gösterebilir. EPTA prosedürü 01/2014'e göre en hafif ve en ağır kombinasyon tabloda gösterilmiştir.

### Geçerli batarya kartuşu ve şarj aleti

Batarya kartuşu	BL1815N / BL1820B / BL1830B / BL1840B / BL1850B / BL1860B
Şarj aleti	DC18RC / DC18RD / DC18RE / DC18SD / DC18SE / DC18SF / DC18SH / DC18WC

- Yukarıda listelenen batarya kartuşlarının ve şarj aletlerinin bazıları yaşadığınız bölgeye bağlı olarak mevcut olmayabilir.

**⚠UYARI:** Sadece yukarıda listelenen batarya kartuşlarını ve şarj aletlerini kullanın. Başka batarya kartuşlarının ve şarj aletlerinin kullanılması yaralanma ve/veya yangına neden olabilir.

### Önerilen kablo bağlantılı güç kaynağı

Taşınabilir güç ünitesi	PDC01
-------------------------	-------

- Yukarıda listelenen kablo bağlantılı güç kaynakları yaşadığınız bölgeye bağlı olarak mevcut olmayabilir.
- Kablo bağlantılı güç kaynağını kullanmadan önce, üzerindeki uyarı işaretlerini ve talimatı okuyun.

### Semboller

Ekipmanı için kullanılabilecek semboller aşağıda gösterilmiştir. Kullanmadan önce anlamlarını anladığınızdan emin olun.



Eİ kitabını okuyun.



Koruyucu gözlük takın!



TEHLİKE - Eleri bıçaktan uzak tutun.



Neme maruz bırakmayın.



Koruyucu gözlük ve kulaklık takın.



Yağmura maruz bırakmayın.



Ni-MH  
Li-ion

Sadece AB ülkeleri için  
Ekipmanda tehlikeli bileşenler bulunduğundan dolayı atık elektrikli ve elektronik ekipmanlar, aküler ve bataryalar çevre ve insan sağlığı üzerinde olumsuz etkiye yol açabilir.

Elektrikli ve elektronik cihazları veya bataryaları evsel atıklarla birlikte atmayın!  
Atık elektrikli ve elektronik ekipmanlar ile akümülatörler ve bataryalar hakkındaki Avrupa Direktifi ve söz konusu direktifin ulusal yasalara uyarlanması gereğince atık elektrikli ekipmanlar, bataryalar ve akümülatörler ayrı olarak depolanmalı ve çevre koruma hakkındaki mevzuata uygun olarak faaliyet gösteren ayrı bir kentsel atık toplama noktasına teslim edilmelidir.  
Bu husus, ekipmanın üzerine yerleştirilmiş üzerinde çarpı işareti bulunan tekerlekli çöp kovası simgesi ile belirtilmiştir.



AB Dış Mekan Gürültü Direktifi uyarınca garanti edilen ses gücü seviyesi.



Avustralya NSW Gürültü Kontrol Mevzuatı uyarınca ses gücü seviyesi

## Kullanım amacı

Bu alet çit budamak için tasarlanmıştır.

## Gürültü

Tipik A-ağırlıklı gürültü düzeyi (EN62841-4-2 standardına göre belirlenen):

Model	Ses basıncı seviyesi		Garanti edilen ses gücü seviyesi	Ölçülen ses gücü seviyesi	
	L <sub>pA</sub> (dB(A))	Belirsizlik K (dB(A))	L <sub>WA</sub> (dB(A))	L <sub>WA</sub> (dB(A))	Belirsizlik K (dB(A))
DUH506	80	3	90	88	1,8
DUH606	82	3	92	90	1,9

**NOT:** Beyan edilen gürültü emisyonu değer(ler)i bir standart test yöntemine uygun şekilde ölçülmüştür ve bir aleti bir başkasıyla karşılaştırmak için kullanılabilir.

**NOT:** Beyan edilen gürültü emisyonu değer(ler)i bir ön maruz kalma değerlendirmesi olarak da kullanılabilir.

**UYARI:** Kulak koruyucuları takın.

**UYARI:** Elektrikli aletin gerçek kullanımı sırasındaki gürültü emisyonu, aletin kullanım biçimlerine, özellikle işlenen iş parçasının türüne bağlı olarak beyan edilen değer(ler)den farklı olabilir.

**UYARI:** Gerçek kullanım koşullarındaki tahmini maruziyeti baz alan, operatörü koruyacak güvenli önlemlerini mutlaka belirleyin (çalışma döngüsü içerisinde aletin kapalı olduğu ve aktif durumda olmasının yanı sıra boşta çalıştığı zamanlar gibi, bütün zaman dilimleri göz önünde bulundurarak).

## Titreşim

Titreşim toplam değeri (üç eksenli vektör toplamı) (EN62841-4-2 standardına göre hesaplanan):

Model	Ön kol		Arka kol	
	ah (m/s <sup>2</sup> )	Belirsizlik K (m/s <sup>2</sup> )	ah (m/s <sup>2</sup> )	Belirsizlik K (m/s <sup>2</sup> )
DUH506	2,5 m/s <sup>2</sup> den az	1,5	2,5 m/s <sup>2</sup> den az	1,5
DUH606	2,5 m/s <sup>2</sup> den az	1,5	2,5 m/s <sup>2</sup> den az	1,5

**NOT:** Beyan edilen titreşim toplam değer(ler)i bir standart test yöntemine uygun şekilde ölçülmüştür ve bir aleti bir başkasıyla karşılaştırmak için kullanılabilir.

**NOT:** Beyan edilen titreşim toplam değer(ler)i bir ön maruz kalma değerlendirmesi olarak da kullanılabilir.

**UYARI:** Elektrikli aletin gerçek kullanımı sırasındaki titreşim emisyonu, aletin kullanım biçimlerine, özellikle işlenen iş parçasının türüne bağlı olarak beyan edilen değer(ler)den farklı olabilir.

**UYARI:** Gerçek kullanım koşullarındaki tahmini maruziyeti baz alan, operatörü koruyacak güvenli önlemlerini mutlaka belirleyin (çalışma döngüsü içerisinde aletin kapalı olduğu ve aktif durumda olmasının yanı sıra boşta çalıştığı zamanlar gibi, bütün zaman dilimleri göz önünde bulundurarak).

## Uygunluk Beyanları

*Sadece Avrupa ülkeleri için*

Uygunluk beyanları bu kullanma kılavuzuna Ek A olarak eklenmiştir.

## GÜVENLİK UYARILARI

### Genel elektrikli alet güvenliği uyarıları

**UYARI** Bu elektrikli aletle birlikte verilen tüm güvenlik uyarılarını, talimatları, resimli açıklamaları ve teknik özellikleri okuyun. Aşağıda listelenen talimatların herhangi birine uyulmaması elektrik çarpması, yangın ve/veya ciddi yaralanma ile sonuçlanabilir.



## Tüm uyarıları ve talimatları ile- ride başvurmak için saklayın.

Uyarılardaki "elektrikli alet" terimi ile ya prizden çalışan (kordonlu) elektrikli aletiniz ya da kendi aküsü ile çalışan (kordonsuz) elektrikli aletiniz kastedilmektedir.

### Akülü Çit Budama Güvenlik Uyarıları

1. Özellikle yıldırım düşmesi riski olan kötü hava koşullarında çit budamayı kullanmayın. Bu şekilde yıldırım çarpma riskini azaltabilirsiniz.
2. Tüm elektrik kablolarını kesim alanından uzak tutun. Elektrik kabloları çitlere veya çallılara saklanabilir ve bıçak tarafından yanlışlıkla kesilebilir.
3. Kulak koruyucu takın. Uygun koruyucu ekipman işleme kaybı riskini azaltır.
4. Bıçak gizli kablolarla temas edebileceği için, çit budamayı sadece yalıtımlı kavrama yüzeylerinden tutun. Bıçakların "akımlı" bir telle temas etmesi çit budamanın yalıtımsız metal kısımlarını "akımlı" hale getirebilir ve kullanıcıyı elektrik şokuna maruz bırakabilir.
5. Vücudunuzun tüm kısımlarını bıçaktan uzak tutun. Bıçaklar hareket halindeyken kesilen malzemeyi çıkarmaya ve kesilecek malzemeyi tutmaya çalışmayın. Anahtar kapatıldıktan sonra bıçaklar hareket etmeye devam eder. Çit budamayı kullanırken bir anlık dikkatsizlik ciddi bir yaralanmayla sonuçlanabilir.
6. Sıkışan maddeleri çıkarırken veya çit budamaya bakım yaparken tüm güç anahtarlarının kapalı ve batarya kutusunun çıkarılmış veya ayrılmış olduğundan emin olun. Sıkışan maddeleri çıkarırken veya çit budamaya bakım yaparken çit budamanın beklenmedik şekilde çalışmaya başlaması ciddi yaralanmalara neden olabilir.
7. Çit budamayı, bıçak durmuş halde ve hiçbir güç anahtarını kullanmamaya dikkat ederek koldan tutarak taşıyın. Çit budamanın doğru bir şekilde taşınması, istemsiz başlatma ve bunun sonucunda bıçaklardan kaynaklanan yaralanma riskini azaltır.
8. Çit budamayı naklemeden veya saklarken bıçak kılıfını mutlaka kullanın. Çit budamanın doğru bir şekilde kullanılması, bıçaklardan kaynaklanan yaralanma riskini azaltır.

## Ek güvenlik uyarıları

### Hazırlık

1. Aleti çalıştırmadan önce çitleri ve çallıkları, tel örgü veya gizli kablo gibi yabancı maddelere karşı kontrol edin.
2. Alet, çocuklar ve 18 yaşın altındaki gençler tarafından kullanılmamalıdır. 16 yaşın üzerindeki gençler, bir uzmanın gözetiminde eğitim alıyorsa bu kısıtlamadan muaf tutulabilirler.
3. Aleti ilk kez kullanacak olanlar, nasıl kullanabileceklerini gösteren deneyimli bir kullanıcıdan yardım almalıdır.
4. Aleti sadece fiziksel durumunuz uygunsa kullanın. Yorgunsanız dikkatiniz azalır. Özellikle çalışma gününün son saatlerinde dikkatli olun. Tüm işlerinizi sakın ve dikkatli bir şekilde yürütün. Üçüncü taraflar üzerinde meydana gelebilecek tüm zararlardan kullanıcı sorumludur.
5. Alet, alkol, uyuşturucu ya da ilaçların etkisi altındayken asla kullanmayın.

6. Dayanıklı deriden yapılmış iş eldivenleri aletin temel ekipmanının parçasıdır ve aletle çalışırken daima giymelidir. Daima kaymaz tabanlı sağlam ayakkabılar giyin.
7. İş başlamadan önce, aletin iyi ve güvenli bir şekilde çalışır durumda olduğundan emin olun. Siperlerin yerine düzgün bir şekilde takıldığınızdan emin olun. Alet, tam olarak monte edilmediği durumlarda kullanılmamalıdır.
8. Çit budamayı başka birine verirken önce çit budamayı yere koyun ve elinizi tamamen çektikten sonra çit budamayı alın. Çit budamanın elden aktarılması ön kolla arka kolun aynı anda tutulmasına neden olur ve ardından çit budama kazara çalışabilir. Kazara çalışması ciddi yaralanmaya neden olabilir.

### Çalıştırma

1. Aleti kullanırken her iki elinizle sıkıca tutun.
2. Alet, operatör tarafından zemin seviyesinde kullanılacak şekilde tasarlanmıştır. Aleti merdiven veya başka her türlü dengesiz destek üzerinde kullanmayın.
3. TEHLİKE - Ellerinizi bıçaktan uzak tutun. Bıçağa temas edilmesi ciddi yaralanmaya neden olur.
4. Aleti yağmurda veya ıslak ya da çok nemli koşullarda kullanmayın. Elektrikli motor su geçirmez değildir.
5. Çalışmaya başlamadan önce, yere sağlam bastığınızdan emin olun.
6. Aleti gereksiz yere yüksüz çalıştırmayın.
7. Keski bıçakları, tel örgüye ya da sert bir nesneye temas ederse aleti hemen kapatın ve batarya kartuşunu çıkarın. Bıçaklara zarar gelip gelmediğini kontrol edin ve zarar gelmişse bıçakları hemen değiştirin.
8. Keski bıçaklarını kontrol etmeden, arızalarla ilgilenmeden ya da keski bıçaklarına takılan maddeyi çıkarmadan önce daima aleti kapatın ve batarya kartuşunu çıkarın.
9. Keski bıçaklarının asla kendinize veya başkalarına doğrultmayın.
10. Çalışma sırasında bıçakların arasına yabancı maddelerin sıkışmasından dolayı bıçaklar hareket etmeyi keserse aleti kapatın ve batarya kartuşunu çıkarın, ardından yabancı maddeleri pense, vb. kullanarak çıkarın. Yabancı maddelerin elle çıkarılması, yabancı maddeleri çıkarmaya tepki olarak bıçaklar hareket edebileceğinden dolayı yaralanmaya neden olabilir.

## Elektrik ve batarya güvenliği

1. Tehlikeli ortamlardan kaçının. Aleti nemli ya da ıslak yerlerde kullanmayın ve yağmura maruz bırakmayın. Makinenin içine su girmesi elektrik çarpması riskini arttıracaktır.
2. Bataryayı/bataryaları ateşe atmayın. Batarya hücresi patlayabilir. Bertaraf etmeye ilişkin özel talimatlar için yerel yönetmelikleri kontrol edin.
3. Batarya/bataryaları açmayın ya da batarya(lar) üzerinde değişiklik yapmayın. Ortaya çıkan elektrolit aşındırıcıdır ve gözle ya da cilde zarar verebilir. Yutulduğu takdirde zehirli olabilir.
4. Bataryayı yağmurda veya ıslak yerlerde şarj etmeyin.
5. Bataryayı açık alanda şarj etmeyin.
6. Şarj aleti fişi ve şarj aleti terminalleri dahil şarj aletine ıslak ellerle dokunmayın.

## Bakım ve saklama

1. Herhangi bir bakım işlemi yapmadan önce aleti kapatın ve batarya kartuşunu çıkarın.
2. Aleti başka bir konuma taşımadan önce ve çalışma sırasında, daima batarya kartuşunu çıkarın ve keski bıçaklarına bıçak kılıfı takın. Bıçaklar çalışırken aleti kesinlikle taşımayın ya da nakletmeyin. Bıçakları asla elinizle kavramayın.
3. Kullanımın ardından ve aleti uzun bir süre boyunca saklayacağınız zaman, aleti ve özellikle keski bıçaklarını temizleyin. Bıçakları hafifçe yağlayın ve bıçak kılıfını takın.
4. Aleti bıçak kılıfı takılı olarak, kuru bir odada saklayın. Çocukların ulaşamayacağı yerlerde saklayın. Aleti asla dışarıda saklamayın.
5. Bataryayı/bataryaları ateşe atmayın. Batarya hücresi patlayabilir. Bertaraf etmeye ilişkin olası özel talimatlar için yerel yönetmelikleri kontrol edin.
6. Batarya/bataryaları açmayın ya da batarya(lar) üzerinde değişiklik yapmayın. Ortaya çıkan elektrolit aşındırıcıdır ve gözlere ya da cilde zarar verebilir. Yutulduğu takdirde zehirli olabilir.

## BU TALİMATLARI SAKLAYIN.

**⚠UYARI:** Ürünü kullanırken (defalarca kullanınca kazanılan) rahatlık ve tanıdıklık duygusunun ilgili ürünün güvenlik kurallarına sıkı sıkıya bağlı kalmanızı yerine geçmesine İZİN VERMEYİN. YANLIŞ KULLANIM veya bu kullanma kılavuzunda belirtilen emniyet kurallarına uymama ciddi yaralanmaya neden olabilir.

## Batarya kartuşu hakkında önemli güvenlik talimatları

1. Batarya kartuşunu kullanmadan önce, tüm talimatları ve (1) batarya kartuşu, (2) batarya ve (3) ürün üzerindeki tüm uyarı işaretlerini okuyun.
2. Batarya kartuşunu parçalarına ayırmayın veya kuralamayın. Yangın, aşırı ısı veya patlamaya neden olabilir.
3. Çalışma süresi aşırı derecede kısalmışsa kullanmayı derhal bırakın. Aşırı ısınma, yanma riski hatta patlamaya neden olabilir.
4. Gözünüze elektrolit kaçarsa, gözlerinizi temiz suyla durulayın ve hemen tıbbi yardım alın. Görme kaybına yol açabilir.
5. Batarya kartuşuna kısa devre yaptırmayın:
  - (1) Terminallere herhangi bir iletken madde değiştirmeyin.
  - (2) Batarya kartuşunu çiviler, madeni paralar, vb. gibi başka metal nesnelere aynı kaba koymaktan kaçınınız.
  - (3) Batarya kartuşunu yağmura ya da suya maruz bırakmayın.Kısa devre, büyük bir akım akışına, aşırı ısınmaya, olası yanıklara hatta bataryanın bozulmasına yol açabilir.
6. Aleti ve batarya kartuşunu sıcaklığın 50°C ya da daha yükseğe ulaştığı yerlerde saklamayın ve kullanmayın.

7. Aşırı derecede hasar görmüş ya da tamamen kullanılamaz durumda olsa bile batarya kartuşunu yakmayın. Batarya kartuşu ateşe atılırsa patlayabilir.
8. Batarya kartuşunu çivilemeyin, kesmeyin, ezmeyin, fırlatmayın, düşürmeyin ya da batarya kartuşuna sert bir nesne ile vurmeyin. Bu eylemler yangın, aşırı ısı veya patlamaya neden olabilir.
9. Hasarlı bataryayı kullanmayın.
10. Aletin içerdği lityum-iyon bataryalar Tehlikeli Eşyalar Yönetmeliğinin gereksinimlerine tabidir. Ticari nakliye işlemleri için, örneğin üçüncü taraflar, nakliye acenteleri tarafından yapılan nakliyelerde, paketlenme ve etiketlenme gereksinimlerine uyulmalıdır. Nakliyesi yapılacak ürünün hazırlanması için, tehlikeli maddeler konusunda uzman bir kişiye danışın. Lütfen muhtemelen daha ayrıntılı olan ulusal yönetmeliklere de uyun. Açık kontakları bantlayın ya da maskeleyin ve bataryayı paketin içinde hareket etmeyecek şekilde paketleyin.
11. Batarya kartuşunu bertaraf ederken aletten çıkarın ve güvenli bir yerde bertaraf edin. Bataryanın bertaraf edilmesi ile ilgili yerel düzenlemelere uyunuz.
12. Bataryaları sadece Makita tarafından belirtilen ürünlerle kullanın. Bataryaların uyumsuz ürünlere takılması; yangın, aşırı ısınma, patlama ya da elektrolit sızıntısına neden olabilir.
13. Alet uzun süre kullanılmıyacaksa batarya aletten çıkarılmalıdır.
14. Kullanma sırasında ve sonrasında batarya kartuşuna ısınarak yanıklara veya düşük sıcaklık yanıklarına yol açabilir. Sıcak batarya kartuşları ile işlem yaparken dikkat edin.
15. Yanıklara neden olabilecek kadar sıcak olabileceğinden kullandıktan hemen sonra aletin terminaline dokunmayın.
16. Batarya kartuşunun terminallerine, deliklerine ve kanallarına micir, toz veya toprak girmesine izin vermeyin. Aletin veya batarya kartuşunun ısınmasına, alev almasına, patlamasına ve arızalanmasına neden olarak yanıklara veya yaralanmaya yol açabilir.
17. Alet yüksek gerilim elektrik güç hatlarında kullanımı desteklemediği sürece batarya kartuşunu yüksek gerilim elektrik güç hatlarının yakınında kullanmayın. Aletin veya batarya kartuşunun arızalanmasına veya bozulmasına neden olabilir.
18. Bataryayı çocuklardan uzak tutun.

## BU TALİMATLARI MUHAFAZA EDİNİZ.

**⚠DİKKAT:** Sadece orijinal Makita bataryalarını kullanın. Orijinal olmayan Makita bataryaları ya da üzerine değişiklik yapılmış bataryaların kullanımı bataryanın patlamasına ve sonuç olarak yangın, kişisel yaralanma ve hasara neden olabilir. Ayrıca Makita aleti ve şarj aletinin Makita tarafından sunulan garantisi de geçersiz olur.

## Maksimum batarya ömrü için ipuçları

1. Batarya kartuşunu tamamen boşalmadan önce şarj edin. Aletin gücünün zayıflamaya başladığını fark ettiğinizde aleti durdurun ve batarya kartuşunu şarj edin.
2. Tam dolu bir batarya kartuşunu asla yeniden şarj etmeyin. Aşırı şarj etme bataryanın hizmet ömrünü kısaltır.
3. Batarya kartuşunu 10 °C - 40 °C oda sıcaklığında şarj edin. Sıcak bir batarya kartuşunu şarj etmeden önce soğumasını bekleyin.
4. Batarya kartuşunu kullanıyorken aletten veya şarj aletinden çıkarın.
5. Uzun bir süre (altı aydan daha fazla) kullanmadığınız durumlarda batarya kartuşunu şarj edin.

## İŞLEVSEL NİTELİKLER

**⚠ DİKKAT:** Alet üzerinde ayarlama veya işleyiş kontrolü yapmadan önce aletin kapalı ve batarya kartuşunun ayrılmış olduğundan daima emin olun.

### Batarya kartuşunun takılması ve çıkarılması

**⚠ DİKKAT:** Batarya kartuşunu takmadan ya da çıkarmadan önce aleti daima kapatın.

**⚠ DİKKAT:** Batarya kartuşunu takarken veya çıkarırken aleti ve batarya kartuşunu sıkıca tutun. Aletin ve batarya kartuşunun sıkıca tutulmaması bunların düşürülmesine sebep olabilir ve alet ve batarya kartuşunun zarar görmesine ya da ciddi yaralanmasına yol açabilir.

► **Şek.1:** 1. Kırmızı gösterge 2. Düğme 3. Batarya kartuşu

Batarya kartuşunu çıkarmak için, kartuşun ön tarafındaki düğmeyi kaydırarak kartuşu aletten çıkarın.

Batarya kartuşunu takmak için, batarya kartuşu üzerindeki dili yuvanın oluşu ile hizalayın ve kartuşu yerine oturtun. Kartuşu, küçük bir tık sesi ile yerine sabitlenene dek sonuna kadar itirin. Şekilde gösterildiği gibi kırmızı göstergeli görebiliyorsanız tam olarak kilitlenmemiştir demektir.

**⚠ DİKKAT:** Batarya kartuşunu daima kırmızı gösterge görünmeyecek şekilde tam olarak takın. Yerine tam oturmazsa, aletten yanlışlıkla düşebilir, sizin ya da çevrenizdeki kişilerin yaralanmasına neden olabilir.

**⚠ DİKKAT:** Batarya kartuşunu zorlayarak takmayın. Kartuş kolay bir şekilde kaymıyorsa doğru yerleştirilmemiştir demektir.

## Kalan batarya kapasitesinin gösterilmesi

### Sadece göstergeli batarya kartuşları için

Kalan batarya kapasitesini göstermesi için batarya kartuşu üzerindeki kontrol düğmesine basın. Gösterge lambaları birkaç saniye yanar.

► **Şek.2:** 1. Gösterge lambaları 2. Kontrol düğmesi

Gösterge lambaları			Kalan kapasite	
Yanıyor	Kapalı	Yanıp sönmüyor		
■	□	▣	%75 ila %100	
■	■	■		%50 ila %75
■	■	□		
■	□	□	%0 ila %25	
▣	□	□	Bataryayı şarj edin.	
■	■	□	Batarya arızalanmış olabilir.	
□	□	■		

**NOT:** Kullanım koşullarına ve ortam sıcaklığına bağlı olarak, gösterilen değer gerçek kapasiteden biraz farklılık gösterebilir.

**NOT:** İlk (en soldaki) gösterge lambası, batarya koruma sistemi çalıştığı anda yanıp söner.

## Alet/batarya koruma sistemi

**ÖNEMLİ NOT:** Kullanım koşullarına bağlı olarak, alete dallar veya birikintiler takılırsa hiçbir bildirimde bulunmadan alet otomatik olarak durur. Bu durumda aleti kapatın ve batarya kartuşunu çıkarın, ardından takılan dalları veya birikintileri pense vb. kullanarak çıkarın. Dalları veya birikintileri çıkardıktan sonra batarya kartuşunu takın ve aleti yeniden açın.

Bu alet bir alet/batarya koruma sistemi ile donatılmıştır. Bu sistem motora giden gücü otomatik olarak keserek uzun alet ve batarya ömrü sağlar. Alet veya batarya için aşağıdaki durumlardan biri söz konusu olduğunda aletin işleyişi otomatik olarak durur:

### Aşırı yük koruması

Alet veya batarya, anormal derecede yüksek akım çekmesine neden olacak şekilde kullanıldığında, alet otomatik olarak durur. Bu durumda, aleti kapatın ve aletin aşırı yüklenmesine neden olan uygulamayı durdurun. Daha sonra aleti yeniden çalıştırmak için açın.

## Aşırı ısınma koruması

Alet veya batarya aşırı ısındığında alet otomatik olarak durur. Bu durumda, yeniden çalıştırmadan önce aletin ve bataryanın soğumasını bekleyin.

## Aşırı deşarj koruması

Batarya kapasitesi yeterli olmadığında, alet otomatik olarak durur. Bu durumda, bataryayı aletten çıkarın ve bataryayı tekrar şarj edin.

## Diğer nedenlere karşı korumalar

Koruma sistemi, alete zarar verebilecek diğer nedenler için de tasarlanmıştır ve aletin otomatik olarak durmasını sağlar. Alet çalışırken geçici duraklama veya durma yaparsa nedenleri ortadan kaldırmak için aşağıdaki tüm adımları uygulayın.

1. Aleti kapatın ve ardından tekrar açarak yeniden çalıştırın.
2. Bataryaları şarj edin veya şarjlı bataryalarla değiştirin.
3. Makinenin ve bataryaların soğumasını bekleyin.

Koruma sistemi eski haline getirilerek ilerleme kaydedilemez yerel Makita Servis Merkezimize başvurun.

**ÖNEMLİ NOT:** Alet yukarıda açıklanmayan bir nedenle durursa sorun giderme kısmına bakın.

## Anahtar işlemleri

**⚠UYARI:** Güvenliğiniz için, bu alet istem dışı başlatmayı önleyen bir anahtar mandalı ile donatılmıştır. Alet, anahtar mandalına basmadan sadece anahtar tetiği çekerek çalışıyorsa aleti ASLA kullanmayın. Daha fazla kullanmadan ÖNCE aleti uygun onarım için yetkili servis merkezimize getirin.

**⚠UYARI:** Anahtar mandalını ASLA basılı durumda bantlamayın veya amacını ve işlevini boşa çıkarmayın.

**⚠UYARI:** Batarya kartuşunu alete takmadan önce anahtar tetik ve anahtar mandalının düzgün çalıştığını ve bırakıldığında "Kapalı" konuma döndüklerini görmek için mutlaka kontrol edin. Aletin düzgün çalışmayan bir anahtarla kullanılması kontrol kaybına ve ciddi yaralanmaya neden olabilir.

**⚠DİKKAT:** Taşıma sırasında parmağınızı asla anahtarın üzerine koymayın. Alet kazara çalışabilir ve yaralanmalara neden olabilir.

Aleti çalıştırmak için anahtar mandalına basarken ön kolu tutun ve anahtar tetiği çekin. Aleti durdurmak için anahtar tetiği veya anahtar mandalını bırakın.

► **Şek.3:** 1. Ön kol 2. Anahtar mandalı 3. Anahtar tetik

## Gösterge lambası

► **Şek.4:** 1. Gösterge lambası

Batarya azaldığında veya alet aşırı yüklendiğinde gösterge lambası yanıp söner veya yanar. Durum ve yapılacak işlem ile ilgili aşağıdaki tabloya bakın.

Gösterge lambası	Durum	Yapılacak işlem
Lamba kırmızı yanıp sönüyor.	Kalan batarya düşüktür.	Bataryayı şarj edin veya bataryayı şarjlı bir batarya ile değiştirin.
Lamba kırmızı yanıyor.	Kalan batarya boştur.	Bataryayı şarj edin veya bataryayı şarjlı bir batarya ile değiştirin.
	Alet aşırı yüklenmeden dolayı durmuştur.	Aleti kapatın ve aşırı yüklenmenin nedenini ortadan kaldırın.
	Alet aşırı ısınmadan dolayı durmuştur.	Aleti kapatın, aleti ve bataryayı soğutun.

**NOT:** Gösterge lambasının yanıp söneceği veya yanacağı zaman, çalışma alanının etrafındaki sıcaklık ve batarya kartuşu koşullarına göre değişir.

## Elektronik fonksiyon

Alet, kolay kullanım için elektronik fonksiyonlarla donatılmıştır.

- Sabit hız kontrolü  
Hız kontrol fonksiyonu, yük koşullarından bağımsız olarak sabit devir hızı sağlar.
- Elektrikli fren  
Bu alet bir elektrikli fren ile donatılmıştır. Alet, anahtar tetik bırakıldıktan sonra sürekli olarak keski bıçaklarını çabucak durduramıyorsa alete Makita Yetkili Servis Merkezinde bakım yaptırın.
- İstemsiz yeniden başlatma önleyici işlev  
Batarya kartuşunu anahtar tetiği çekerken taksanız bile alet çalışmaz. Aleti başlatmak için önce anahtar tetiği bırakın ve ardından anahtar tetiği çekin.

## MONTAJ

**⚠DİKKAT:** Alet üzerinde herhangi bir iş yapmadan önce aletin kapalı ve batarya kartuşunun ayrılmış olduğundan daima emin olun.

**⚠DİKKAT:** Keski bıçaklarını değiştirirken ellerinizin bıçaklarla doğrudan temas etmemesi için daima eldiven kullanın.

**ÖNEMLİ NOT:** Keski bıçaklarını değiştirirken dişli ve krank bölümlerindeki gresi silmeyin.

## Keski bıçaklarının takılması veya çıkarılması

**⚠DİKKAT:** Keski bıçaklarını takmadan veya çıkarmadan önce bıçak kılıfını takın.

Aletinize 500 mm veya 600 mm keski bıçakları takabilirsiniz.

1. Bıçak kılıfını keski bıçaklarına takın.  
► **Şek.5:** 1. Bıçak kılıfı
2. Aleti ters şekilde yerleştirin, ardından 6 civatayı sökün ve daha sonra kapak ve plakayı çıkarın.  
► **Şek.6:** 1. Cıvata 2. Kapak 3. Plaka

**NOT:** Plaka kapakta kalabilir.

3. 2 delik keski bıçaklarına dik olacak şekilde krankı düz tornavida ile çevirin.  
► **Şek.7:** 1. Krank 2. Delik
4. 2 civata, keçe tamponu ve manşonları çıkarın ve ardından keski bıçaklarını çıkarın.  
► **Şek.8:** 1. Keçe tamponu 2. Cıvata 3. Manşon  
4. Keski bıçakları
5. Bıçak kılıfını çıkarın ve ardından yeni keski bıçaklarına takın.  
► **Şek.9:** 1. Bıçak kılıfı
6. Keski bıçaklarının arka kenarlarını şekilde gösterildiği gibi hizalayın.  
► **Şek.10:** 1. Arka kenar
7. Keski bıçaklarını şekilde gösterildiği gibi hafifçe kaydırın ve ardından manşonları keski bıçaklarına takın.  
► **Şek.11:** 1. Manşon
8. Bıçak kılıfını keski bıçaklarının ucuna doğru hafifçe kaydırın ve ardından keski bıçaklarını alete takın.  
► **Şek.12:** 1. Keski bıçakları

**ÖNEMLİ NOT:** Keski bıçaklarının deliğinin iç çevresine az bir miktar gres yağı sürün.

**ÖNEMLİ NOT:** Manşonları kaybetmemeye dikkat edin.

9. Manşonların üzerindeki delikler aletin üzerindeki deliklerle hizalanacak şekilde keski bıçaklarını ve manşonları kaydırın.  
► **Şek.13:** 1. Aletin üzerindeki delik 2. Manşonun üzerindeki delik
10. Keski bıçaklarını sabitlemek için civataları sıkın.  
► **Şek.14:** 1. Cıvata
11. Keçe tamponunu keski bıçaklarına takın.  
► **Şek.15:** 1. Keçe tamponu
12. Plakayı takın.  
► **Şek.16:** 1. Plaka
13. Kapağı takın ve ardından 6 civatayı sıkın.  
► **Şek.17:** 1. Cıvata 2. Kapak

**ÖNEMLİ NOT:** Keski bıçakları rahat hareket etmezse keski bıçakları kranka düzgün geçmez. Keski bıçaklarını tekrar takın.

**ÖNEMLİ NOT:** Keski bıçakları dışında krank gibi parçaları yıpranırsa parça değişimi veya onarımlar için Makita Yetkili Servis Merkezlerine başvurun.

## Talaş yakalayıcının takılması veya çıkarılması

**İsteğe bağlı aksesuarlar**

**⚠DİKKAT:** Talaş yakalayıcıyı takarken veya çıkarırken ellerinizin keski bıçaklarıyla doğrudan temas etmemesi için daima eldiven kullanın.

**ÖNEMLİ NOT:** Alete talaş yakalayıcı takılı ise bıçak kılıfı takılmaz. Aleti taşımadan veya depolamadan önce talaş yakalayıcıyı çıkarın ve ardından bıçağın açıkta kalmasını engellemek için bıçak kılıfını takın.

**ÖNEMLİ NOT:** Talaş yakalayıcıyı takmadan önce bıçak kılıfını mutlaka çıkarın.

Talaş yakalayıcı atık yapıları toplayarak işiniz bittikten sonra temizlik yapmayı kolaylaştırır. Aletin her iki yanına da takılabilir.

1. Talaş yakalayıcı üzerindeki delikleri keski bıçaklarının üzerindeki vidalarla hizalayın.  
► **Şek.18:** 1. Vida
2. Talaş yakalayıcının tırnaklarını keski bıçaklarının üzerindeki girintiye geçirin.  
► **Şek.19:** 1. Kıskaç 2. Girinti
3. Talaş yakalayıcı üzerindeki mandallara bastırın ve ardından diğer taraftaki tırnakları keski bıçaklarının üzerindeki girintiye geçirin.  
► **Şek.20:** 1. Mandal

Talaş yakalayıcıyı çıkarmak için, kıskaçları serbest bırakmak amacıyla mandallara bastırın.

► **Şek.21:** 1. Mandal

**ÖNEMLİ NOT:** Talaş yakalayıcıyı, keski bıçaklarına kancalarıyla kilitlemiş durumdayken aşırı güç uygulayarak çıkarmaya çalışmayın.

## KULLANIM

**⚠UYARI:** Ellerinizi keski bıçaklarından uzak tutun.

**⚠DİKKAT:** Mümkünse, aleti çok sıcak havalarda kullanmaktan kaçının. Aleti kullanırken fiziksel durumunuza dikkat edin.

**⚠DİKKAT:** Budama sırasında metal bir çite ya da başka sert nesnelere temas etmemeye dikkat edin. Keski bıçakları kırılabilir ve yaralanmaya neden olabilir.

**⚠DİKKAT:** Keski bıçaklarının yere temas etmesine izin vermeyin. Alet geri tepebilir ve yaralanmaya neden olabilir.

**⚠DİKKAT:** Bir çit budama aletini normalde uzanamayacağınız bir yükseklik için kullanmaya çalışmak, özellikle de merdivene çıkıp kullanmaya çalışmak, aşırı derecede tehlikelidir. Sallanan veya zayıf bir zemin üzerinde dururken çalışmayın.

**ÖNEMLİ NOT:** Aletle, çapı 10 mm'den daha kalın dalları kesmeye çalışmayın. Aleti kullanmadan önce, dal budayıcı kullanarak dalları kesim yüksekliğinden 10 cm aşağıda olacak şekilde kesin.

► **Şek.22:** (1) Kesim yüksekliği (2) 10 cm

**ÖNEMLİ NOT:** Ölü ağaçları veya benzer sert nesnelere kesmeyin. Aksi takdirde alete hasar verebilirsiniz.

**ÖNEMLİ NOT:** Keski bıçaklarını kullanırken çimlerini ya da yabancı otları biçmeyin. Keski bıçakları çime ya da yabancı otlara dolanabilir.

Aleti her iki elinizle tutun, anahtar mandalına basarken ön kolu tutun ve anahtar tetiği çekin ve ardından aleti ileri doğru hareket ettirin.

► **Şek.23**

Temel çalışma için, keski bıçaklarını kesim yönünde eğin ve metre başına 3 ila 4 saniyelik bir hızla sakin ve yavaş bir biçimde hareket ettirin.

► **Şek.24**

Çitin üstünü eşit şekilde kesmek için istenilen yükseklikte bir ip gerin ve ip boyunca budayın.

► **Şek.25**

Keski bıçaklarına talaş yakalayıcı taktığınızda, talaş yakalayıcı atık yaprakları toplayarak işiniz bittikten sonra temizlik yapmayı kolaylaştırır.

► **Şek.26**

Çitin yan kısmını düzgün bir şekilde kesmek için aşağıdan yukarı doğru kesin.

► **Şek.27**

Yuvarlak bir şekil elde etmek için budama yapılırken (şimşir veya orman güllü ve benzerinin budanması sırasında) iyi bir sonuç elde etmek için aşağıdan yukarıya doğru budama yapın.

► **Şek.28**

## BAKIM

**⚠ DİKKAT:** Muayene ya da bakım yapmadan önce aletin kapalı ve batarya kartuşunun çıkarılmış olduğundan daima emin olun.

Aleti EMNİYETLİ ve ÇALIŞMAYA HAZIR durumda tutmak için onarımlar, başka her türlü bakım ve ayarlamalar daima Makita yedek parçaları kullanılarak Makita yetkili servis merkezleri veya Fabrikanın Servis Merkezleri tarafından yapılmalıdır.

### Aletin temizlenmesi

Alet gövdesini kuru bir bezle veya sabunlu suya batırılıp sıkılmış bir bezle temizleyin.

**ÖNEMLİ NOT:** Benzin, tiner, alkol ve benzeri maddeleri kesinlikle kullanmayın. Renk değişimi, deformasyon veya çatlaklar oluşabilir.

### Keski bıçağı bakımı

Çalışmadan önce veya çalışma sırasında saatte bir kez, keski bıçaklarına düşük viskoziteli yağ (makine yağı ya da sprey şeklinde yağ) uygulayın.

► **Şek.29**

Çalışmanın ardından, keski bıçaklarının her iki tarafındaki tozları tel fırça ile giderin, bir bezle silin ve keski bıçaklarına düşük viskoziteli yağ (makine yağı veya sprey şeklinde yağ) uygulayın.

► **Şek.30**

**ÖNEMLİ NOT:** Keski bıçaklarını suda yıkamayın. Bunu yapmak paslanmaya ya da alete zarar gelmesine neden olabilir.

**ÖNEMLİ NOT:** Kir ve korozyon bıçaklarda aşırı sürtünmeye neden olabilir ve bir seferlik batarya şarjıyla çalışılabilen süreyi kısaltır.

### Saklama

Aletin alt kısmındaki kanca deliği aleti bir çivi ya da vida kullanarak duvara asmak için kullanışlıdır. Bıçak kılıfını bıçaklar örtülecek şekilde keski bıçaklarına takın. Aleti çocukların erişemeyeceği bir yerde saklayın. Aleti neme ya da yağmura maruz kalmayan bir yerde saklayın.

► **Şek.31:** 1. Delik

### Keski bıçaklarının bilenmesi

**ÖNEMLİ NOT:** Keski bıçakları bileme nedeniyle kayda değer ölçüde deforme olursa keski bıçaklarını yenileriyle değiştirin.

1. Batarya kartuşunu alete takın.
2. Aleti açın ve üst bıçak ile alt bıçak dönüşümlü olarak konumlanacak şekilde çalıştırın.  
► **Şek.32**
3. Aletini kapatın ve batarya kartuşunu aletten çıkarın.
4. Eğe açısını 35°'ye ayarlayın ve üst bıçağı eğe ile 2 yönden bileyin.  
► **Şek.33:** (1) Eğe (2) 35°

**⚠ DİKKAT:** Keski bıçaklarını bilemeden önce aletin kapalı olduğundan ve batarya kartuşunun aletten çıkarıldığından emin olun.

5. Aleti ters şekilde yerleştirin ve ardından keski bıçaklarındaki pürüzleri bileme taşı ile temizleyin.  
► **Şek.34:** 1. Bileme taşı
6. Eğe açısını 35°'ye ayarlayın ve alt bıçağı eğe ile 2 yönden bileyin.
7. Aleti normal konuma getirin ve ardından keski bıçaklarındaki pürüzleri bileme taşı ile temizleyin.

### Gres yağlaması

**Yağlama aralığı:** Her 50 çalışma saatinde bir

1. Yağlama için civatayı delikten çıkarın.  
► **Şek.35:** 1. Civata
2. Gres kabının kapağını çıkarın. Gres kabının ağzını kapak üzerindeki delikle hizalayın ve ardından gres kabının ağzını deliğe takmak için gres kabını çevirin.  
► **Şek.36:** 1. Gres kabı 2. Delik
3. Alete gres uygulayın (kural olarak yaklaşık 3 g).
4. Gres kabını çıkarın.
5. Civatayı sıkın.

# SORUN GİDERME

Onarım için servise gitmeden önce kontrolleri yapın. Kılavuzda açıklanmayan bir problemle karşılaşırsanız aleti demonte etmeyin. Bunun yerine, Makita Yetkili Servis Merkezlerine başvurun ve daima orijinal Makita yedek parçaları kullanın.

Anormal durum	Olası nedeni (arıza)	Çözümü
Motor çalışmıyor.	Batarya kartuşu takılı değil.	Batarya kartuşunu takın.
	Batarya sorunu (voltaj yetersiz)	Bataryayı şarj edin. Şarj etmek işe yaramıyorsa, bataryayı değiştirin.
	Sürüş sistemi doğru işlemiyor.	Yerel yetkili servis merkezinizden tamir etmelerini isteyin.
Kısa bir kullanımdan sonra motor duruyor.	Bataryanın şarj seviyesi düşük.	Bataryayı şarj edin. Şarj etmek işe yaramıyorsa, bataryayı değiştirin.
	Aşırı ısınma.	Aleti kullanmayı durdurun ve soğumasını bekleyin.
Alet maksimum devre ulaşmıyor.	Batarya düzgün takılmamış.	Batarya kartuşunu bu kılavuzda açıklandığı gibi takın.
	Batarya gücü düşüyor.	Bataryayı şarj edin. Şarj etmek işe yaramıyorsa, bataryayı değiştirin.
	Sürüş sistemi doğru işlemiyor.	Yerel yetkili servis merkezinizden tamir etmelerini isteyin.
Keski bıçakları hareket etmiyor: ⇒ makineyi hemen durdurun!	Keski bıçaklarının arasına yabancı madde takılmış.	Aleti kapatın ve batarya kartuşunu çıkarın, ardından yabancı maddeleri pense vb. kullanarak çıkarın.
	Sürüş sistemi doğru işlemiyor.	Yerel yetkili servis merkezinizden tamir etmelerini isteyin.
Olağan dışı titreşim: ⇒ makineyi hemen durdurun!	Keski bıçakları kırık, eğik veya aşınmış.	Keski bıçaklarını değiştirin.
	Sürüş sistemi doğru işlemiyor.	Yerel yetkili servis merkezinizden tamir etmelerini isteyin.
Keski bıçakları ve motor durmuyor: ⇒ Bataryayı hemen çıkarın!	Elektrik arızası.	Bataryayı çıkarın ve yerel yetkili servis merkezinizden tamir etmelerini isteyin.

## İSTEĞE BAĞLI AKSESUARLAR

**⚠ DİKKAT:** Bu aksesuarlar ve ek parçalar bu el kitabında belirtilen Makita aletiniz ile kullanılmak için tavsiye edilmektedir. Herhangi başka bir aksesuar ya da ek parça kullanılması insanlar için bir yaralanma riski getirebilir. Aksesuarları ya da ek parçaları yalnızca belirtilmiş olan kullanım amaçlarına uygun olarak kullanın.

Bu aksesuarlarla ilgili daha fazla bilgiye ihtiyaç duyarsanız bulunduğunuz yerdeki yetkili Makita servisine başvurun.

- Keski bıçağı takımı
- Keski bıçağı kılıfı
- Talaş yakalayıcı
- Gres kabı
- Orijinal Makita batarya ve şarj aleti

**NOT:** Listedeki parçaların bazıları alet paketi içerisinde standart aksesuar olarak dahil edilmiş olabilir. Bunlar ülkeden ülkeye farklılık gösterebilir.



# Makita Europe N.V.

Jan-Baptist Vinkstraat 2, 3070 Kortenberg, Belgium

# Makita Corporation

3-11-8, Sumiyoshi-cho, Anjo, Aichi 446-8502 Japan

[www.makita.com](http://www.makita.com)



885987A992  
EN, FR, DE, IT, NL,  
ES, PT, DA, EL, TR  
20230825